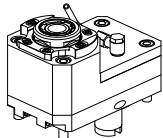
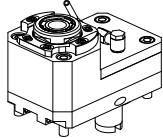
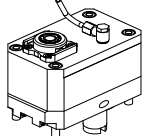
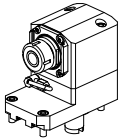
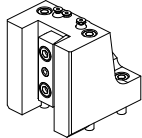
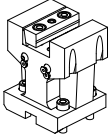
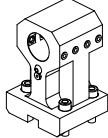
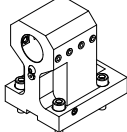
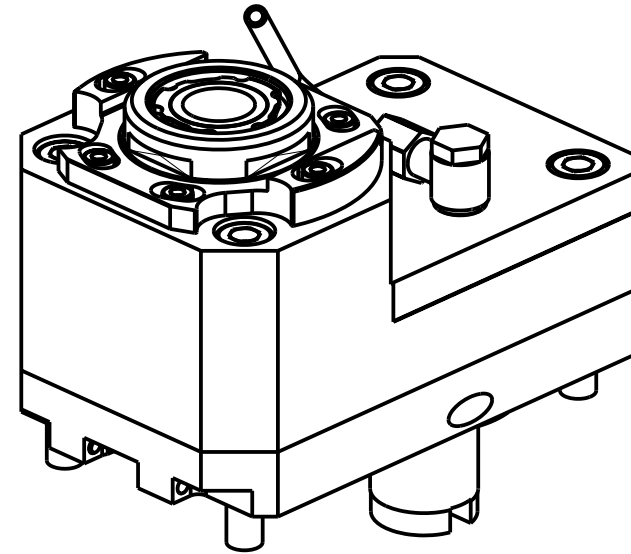
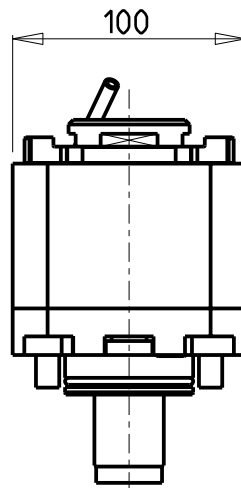
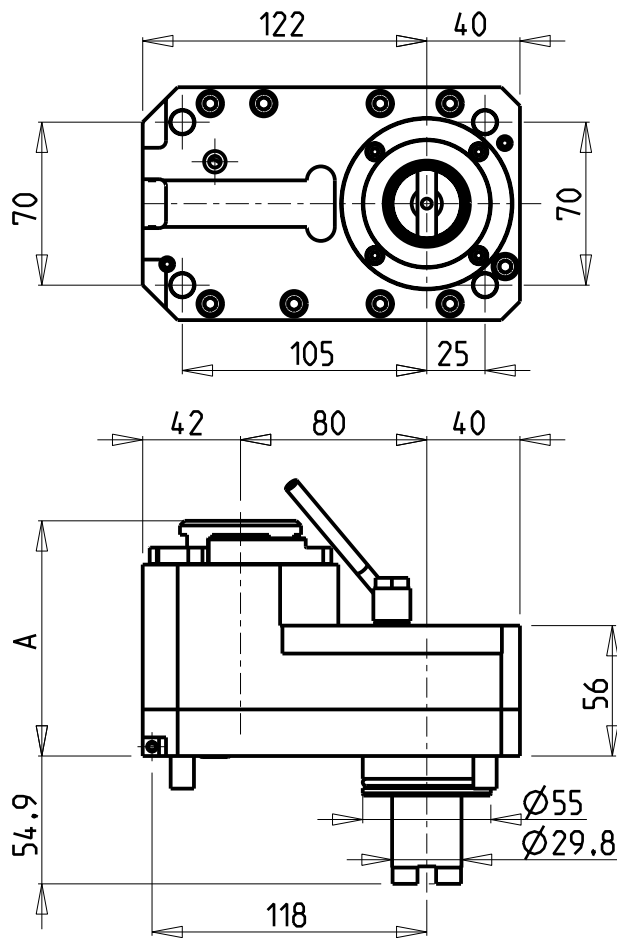


		PAGINA Page Seite
<p>MODULO MOTORIZZATO RADIALE DISASSATO IN Z 80mm Radial driven tool re-directed in Z by 80mm Radial angetriebenes Werkzeug achsversetzt in Z um 80mm</p>		TKW 030.8.10 NEW
<p>MODULO MOTORIZZATO RADIALE RIDOTTO I=2:1 DISASSATO IN Z 80mm Radial geared-down I=2:1 driven tool re-directed in Z by 80mm Radial angetriebenes Werkzeug untersetzt I=2:1 achsversetzt in Z um 80mm</p>		TKW 030.8.20 NEW
<p>MODULO MOTORIZZATO RADIALE MOLTIPLICATO I=1:4 DISASSATO IN Z 80mm Radial geared-up I=1:4 driven tool re-directed in Z by 80mm Radial angetriebenes Werkzeug uebersetzt I=1:4 achsversetzt in Z um 80mm</p>		TKW 030.8.70 NEW
<p>MODULO MOTORIZZATO ASSIALE H=105mm Axial driven tool H=105mm Axial angetriebenes Werkzeug H=105mm</p>		TKW 150.8.10 NEW
<p>PORTAUTENSILE RADIALE SINGOLO QD=25mm Radial single static tool QD=25mm Radial Single-Werkzeughalter QD=25mm</p>		TKW 423.8.00 NEW
<p>PORTAUTENSILE ASSIALE SINGOLO QD=25mm Axial single static tool QD=25mm Axial Single-Werkzeughalter QD=25mm</p>		TKW 552.8.00 NEW
<p>PORTAUTENSILE ASSIALE PER BARENO Ø40mm H=110mm Axial single boring bar holder Ø40mm H=110mm Axial Bohrhalter Ø40mm H=110mm</p>		TKW 630.8.10 NEW
<p>PORTAUTENSILE ASSIALE ARRETRATO PER BARENO Ø40mm H=110mm Axial rear-set boring bar holder Ø40mm H=110mm Axial Bohrhalter zurueckversetzt Ø40mm H=110mm</p>		TKW 810.8.10 NEW



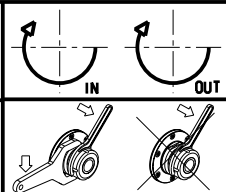
- Chiave inclusa
- Key included
- Schluessel inbegriffen

Cod. MT	Mandrino Spindle Spindel	I	RPM	Coppia Max Max Torque Max Drehmoment	Lubr.interna Coolant through Innenkuehlung	Lubr.esterna Ext. coolant Aussenkuehlung	A	CHIAVI NON INCLUSE Keys not included Schluessel nicht einbegriffen			
TKW 0570332	ERA32	1:1	4000	50Nm	-	X	101	CHUB30	CHTAER32ZC	OKU0650004	NEW
TKW 0570432	ERA32	1:1	4000	50Nm	P=70bar	X	111	CHUB30	CHTAER32ZC	OKU0650004	NEW

TAKISAWA
MOD: TT-2600CM

MODULO MOTORIZZATO RADIALE DISASSATO IN Z 80mm
Radial driven tool re-directed in Z by 80mm
Radial angetriebenes Werkzeug achsversetzt in Z um 80mm

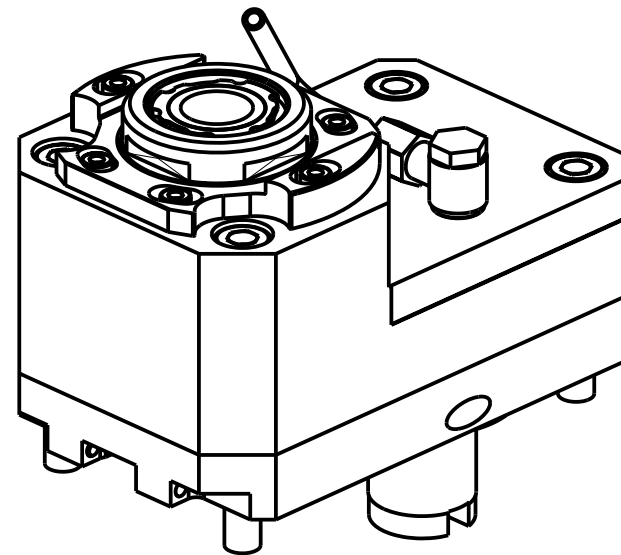
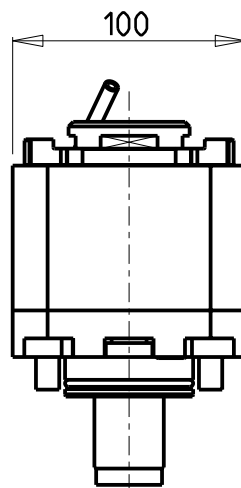
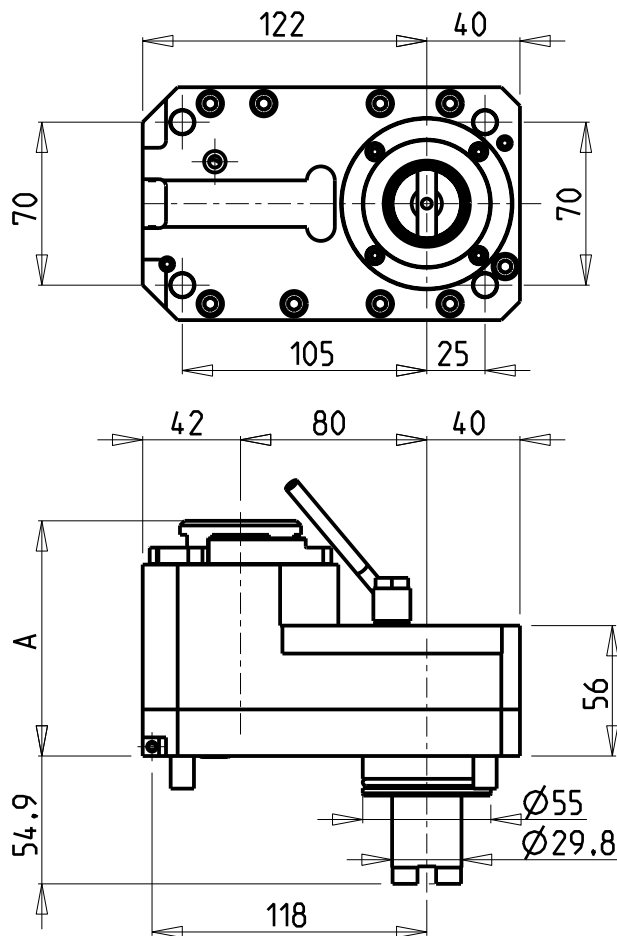
Subject to change without notice.



M.T. srl
Via Casino Albini 480
Tel. 0541/956034-957884
Fax 0541/956341
47842 S. GIOVANNI IN M. (RN)
e-mail: mtma@mtmarchetti.com
http://www.mtmarchetti.com

PRODUZIONE MODULI ROTANTI

PAGINA TKW 030-8-10



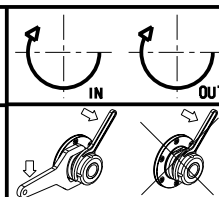
- Chiave inclusa
- Key included
- Schluessel inbegriffen

Cod. MT	Mandrino Spindle Spindel	I	RPM	Coppia Max Max Torque Max Drehmoment	Lubr.interna Coolant through Innenkuehlung	Lubr.esterna Ext. coolant Aussenkuehlung	A	CHIAVI NON INCLUSE Keys not included Schluessel nicht einbegriffen			
TKW 0571332	ERA32	2:1	2000	70Nm	-	X	101	CHUB30	CHTAER32ZC	OKU0650004	NEW
TKW 0571432	ERA32	2:1	2000	70Nm	P=70bar	X	111	CHUB30	CHTAER32ZC	OKU0650004	NEW

TAKISAWA
MOD: TT-2600CM

MODULO MOTORIZZATO RADIALE RIDOTTO I=2:1 DISASSATO IN Z 80mm
Radial geared-down I=2:1 driven tool re-directed in Z by 80mm
Radial angetriebenes Werkzeug untersetzt I=2:1 achsversetzt in Z um 80mm

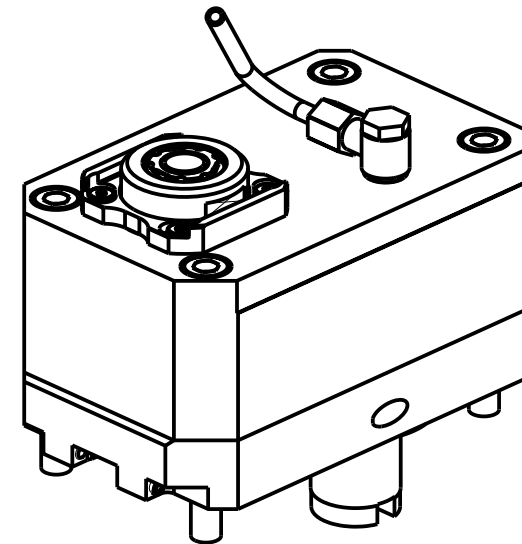
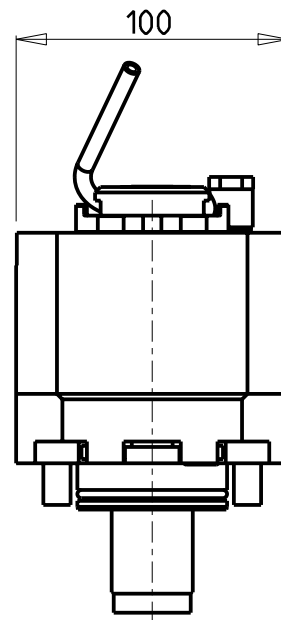
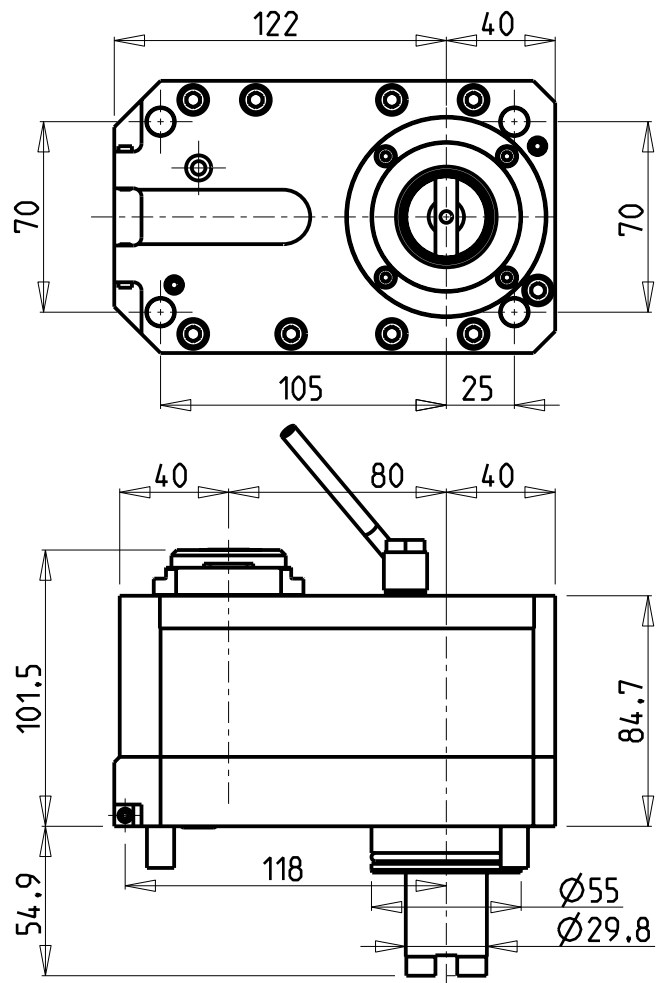
Subject to change without notice.



M.T. srl
Via Casino Albini 480
Tel. 0541/956034-957884
Fax 0541/956341
47842 S. GIOVANNI IN M. (RN)
e-mail: mtma@mtmarchetti.com
http://www.mtmarchetti.com

PRODUZIONE MODULI ROTANTI

PAGINA TKW 030-8-20



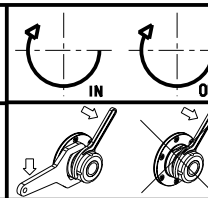
Cod. MT	Mandrino Spindle Spindel	i	RPM	Coppia Max Max Torque Max Drehmoment	Lubr.esterna Ext. coolant Aussehenkuehlung	CHIAVI NON INCLUSE Keys not included Schluessel nicht einbegriffen		
TKW 0610120	ER20	1:4	16000	20Nm	X	CHUB22	CHTAER20ZC •	OKU0290009 •

- Chiave inclusa
- Key included
- Schluessel inbegriffen

NEW

TAKISAWA
MOD: TT-2600CM

MODULO MOTORIZZATO RADIALE MOLTIPLICATO I=1:4 DISASSATO IN Z 80mm
 Radial geared-up I=1:4 driven tool re-directed in Z by 80mm
 Radial angetriebenes Werkzeug uebersetzt I=1:4 achsversetzt in Z um 80mm



M.T. srl
 Via Casino Albini 480
 Tel. 0541/956034-957884
 Fax 0541/956341
 47842 S. GIOVANNI IN M. (RN)
 e-mail: mtma@mtmarchetti.com
 http://www.mtmarchetti.com

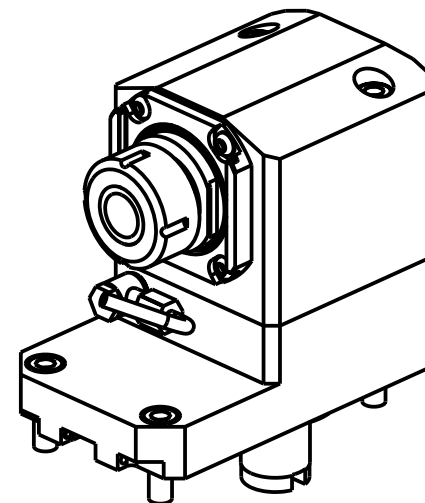
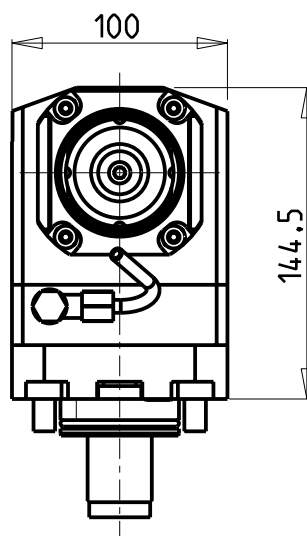
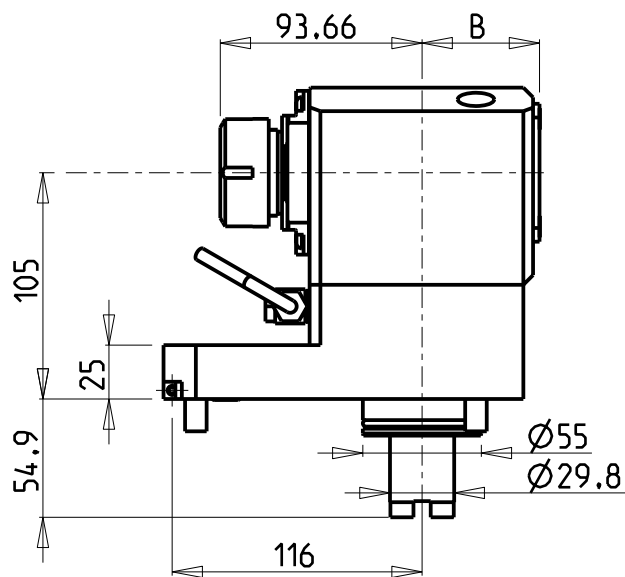
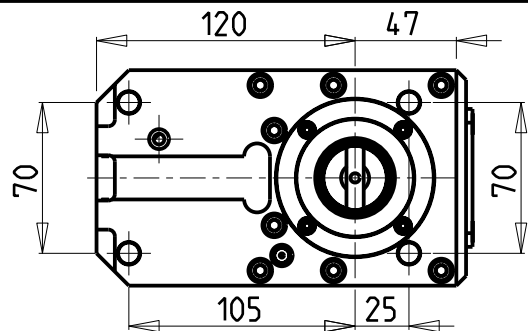
PRODUZIONE MODULI ROTANTI



PAGINA TKW 030-8-70

Subject to change without notice.

10/2018



ATTENZIONE - ATTENTION - ACHTUNG

- Per lo smontaggio degli utensili utilizzare sempre la chiave di contrasto come indicato nel manuale d'uso.
- For disassembly of the tools use always the contrast key as mentioned in the user instructions.
- Fuer das Abmontieren der Werkzeuge immer den Gegenschlüssel benutzen wie in der Bedienungsanleitung erwaeht.

• Chiave inclusa

• Key included

• Schlüssel inbegriffen

Cod. MT	Mandrino Spindle Spindel	I	RPM	Coppia Max Max Torque Max Drehmoment	Lubr.interna Coolant through Innenkuehlung	Lubr.esterna Ext. coolant Aussenkuehlung	B	CHIAVI NON INCLUDE Keys not included Schlüssel nicht einbegriffen	
TKW 0670132	ER32	1:1	4000	70Nm	-	X	54.5	CHSTER32	OKU0650004 • NEW
TKW 0670232	ER32	1:1	4000	70Nm	P=70bar	X	67	CHSTER32	OKU0650004 • NEW

TAKISAWA

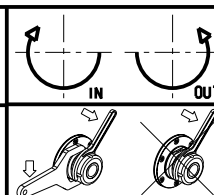
MOD: TT-2600CM

MODULO MOTORIZZATO ASSIALE H=105mm

Axial driven tool H=105mm

Axial angetriebenes Werkzeug H=105mm

Subject to change without notice.



M.T. srl

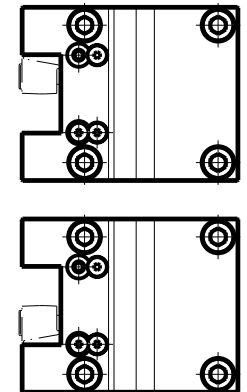
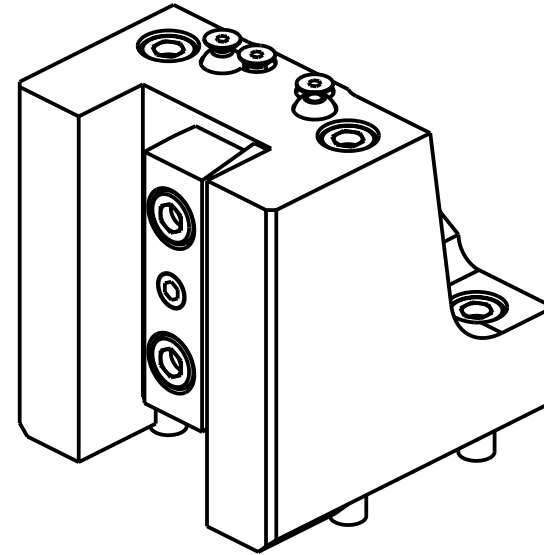
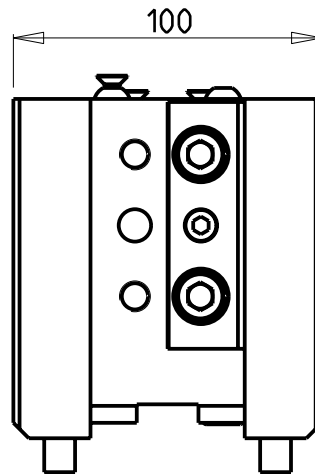
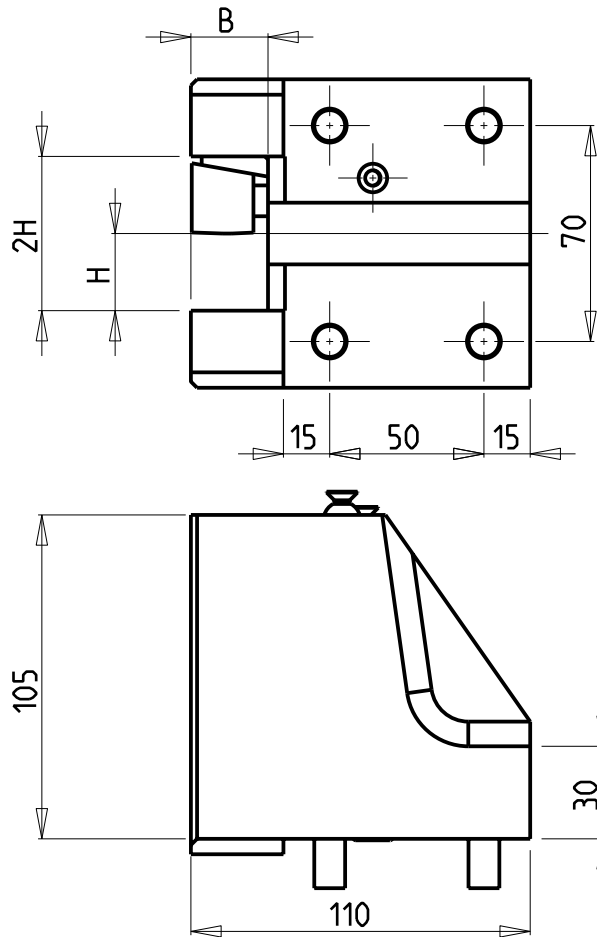
Via Casino Albini 480
Tel. 0541/956034-957884
Fax 0541/956341

47842 S. GIOVANNI IN M. (RN)
e-mail: mtma@mtmarchetti.com
http://www.mtmarchetti.com

PRODUZIONE MODULI ROTANTI



PAGINA TKW 150-8-10



Cod. MT	N°Utensili N°Tools N°Werkzeuge	Misure Dimensions Masse	B	H	
TKW 0682500	1	mm	25	25	NEW

TAKISAWA
MOD: TT-2600CM

PORTAUTENSILE RADIALE SINGOLO QD=25mm
Radial single static tool QD=25mm
Radial Single-Werkzeughalter QD=25mm

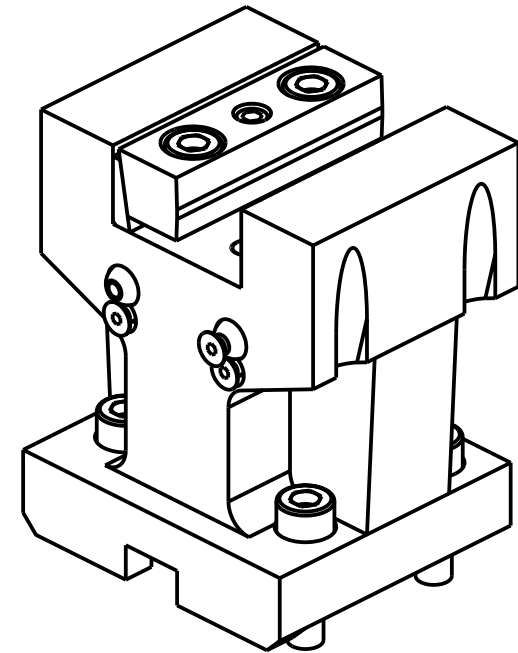
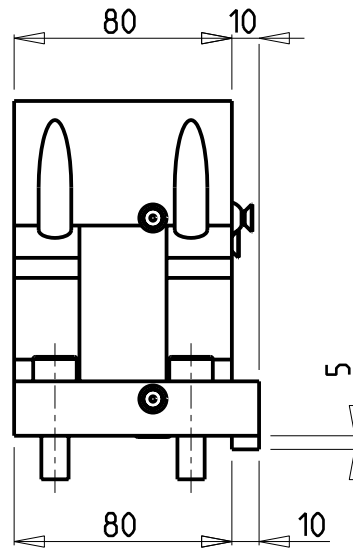
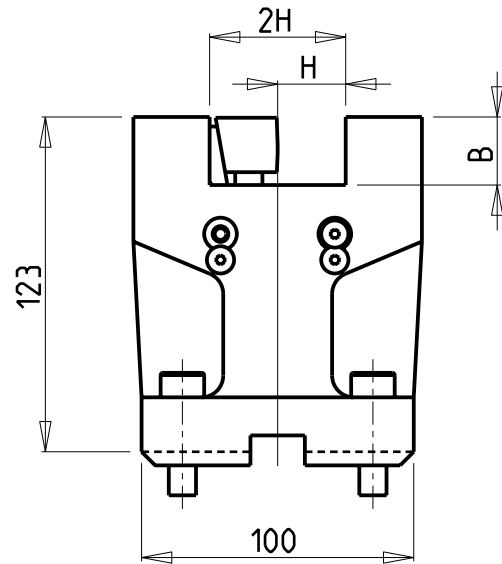
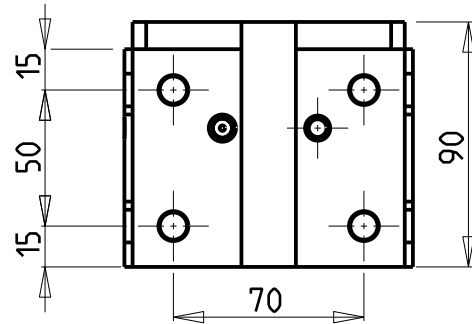
Subject to change without notice.

M.T. srl
Via Casino Albini 480
Tel. 0541/956034-957884
Fax 0541/956341
47842 S. GIOVANNI IN M. (RN)
e-mail: mtma@mtmarchetti.com
<http://www.mtmarchetti.com>

PRODUZIONE MODULI ROTANTI



PAGINA TKW 423-8-00



Cod. MT	N°Utensili N°Tools N°Werkzeuge	Misure Dimensions Masse	B	H
TKW 0692500	1	mm	25	25

NEW

TAKISAWA
MOD: TT-2600CM

PORTAUTENSILE ASSIALE SINGOLO QD=25mm
Axial single static tool QD=25mm
Axial Single-Werkzeughalter QD=25mm

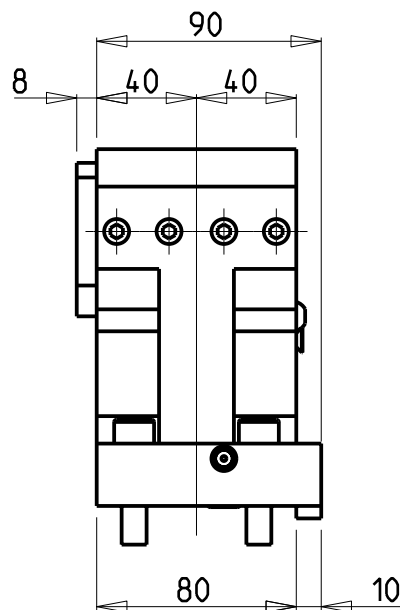
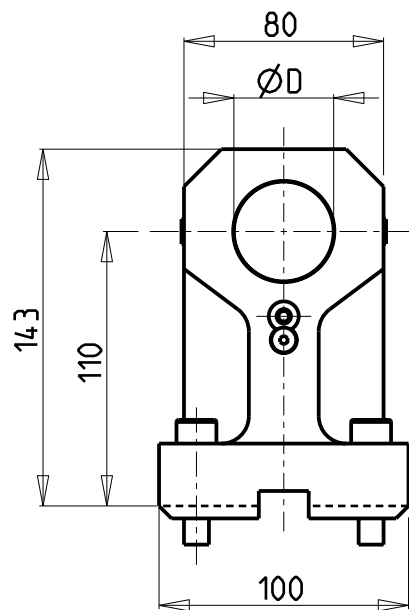
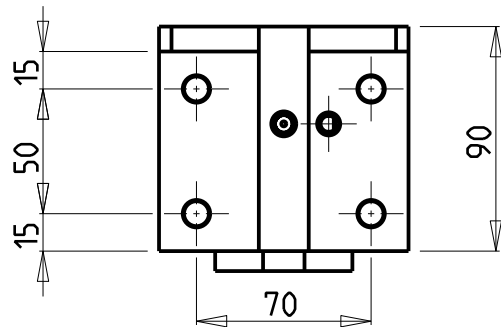
Subject to change without notice.

M.T. srl
Via Casino Albini 480
Tel. 0541/956034-957884
Fax 0541/956341
47842 S. GIOVANNI IN M. (RN)
e-mail: mtma@mtmarchetti.com
<http://www.mtmarchetti.com>

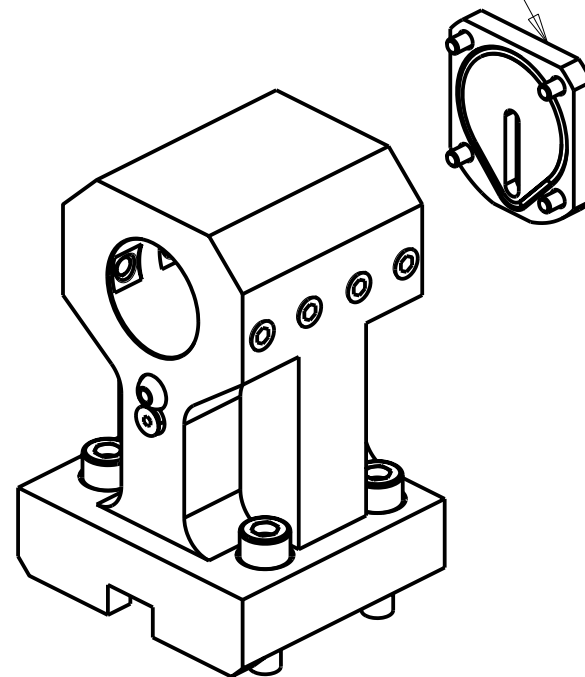
PRODUZIONE MODULI ROTANTI



PAGINA TKW552-8-00



KIT ADDUZIONE INTERNA (OPZIONALE)
 KIT FOR INTERNAL COOLANT (OPTIONAL)
 KIT FUER INTERNE KUEHLMITTELZUFUHR (OPTIONAL)
 Ø40 cod. KIT1000031



PER BOCCOLE DI RIDUZIONE VEDI PAG. TBL150-1-00
 FOR REDUCING BUSHINGS SEE PAGE TBL150-1-00
 FUER REDUZIERBUCHSE SIEHE SEITE TBL150-1-00

Cod. MT	N°Utensili N°Tools N°Werkzeuge	Lubrificazione int. opzionale Coolant through optional Innenkuehlung Optional	Lubrificazione est. Ext. coolant Aussenkuehlung	Misure Dimensions Masse	D	
TKW 0704000	1	X	X	mm	40	NEW

TAKISAWA
 MOD: TT-2600CM

PORTAUTENSILE ASSIALE PER BARENO Ø40mm H=110mm
 Axial single boring bar holder Ø40mm H=110mm
 Axial Bohrhalter Ø40mm H=110mm

Subject to change without notice.

M.T. srl

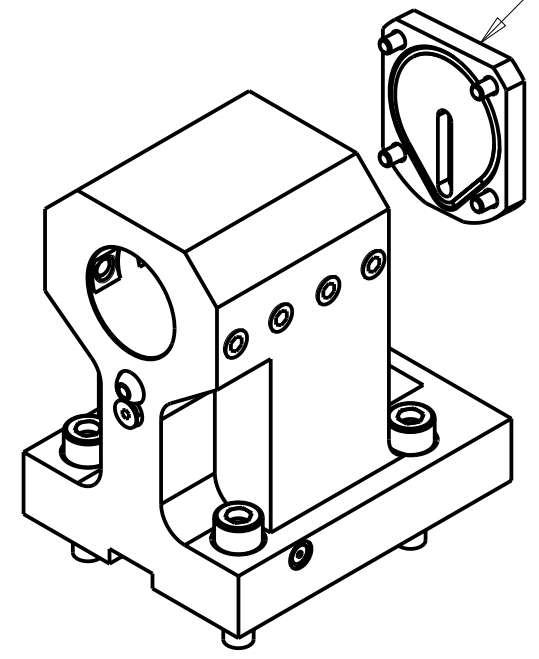
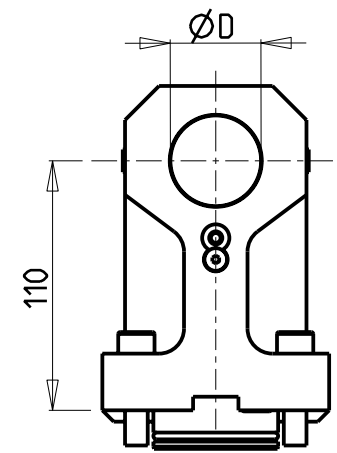
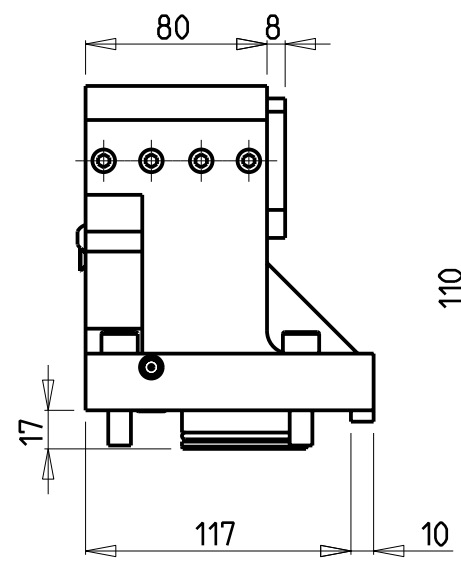
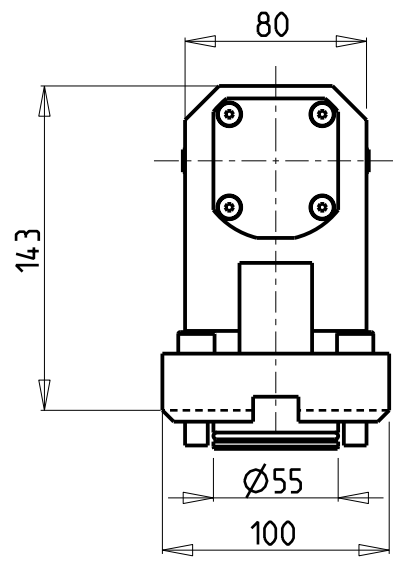
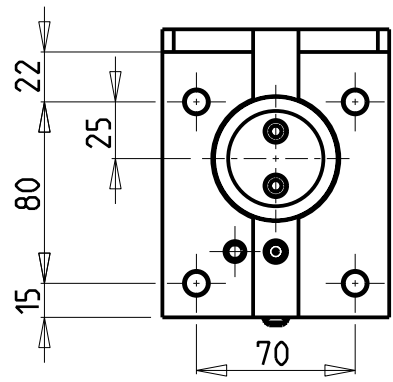
Via Casino Albini 480
 Tel. 0541/956034-957884
 Fax 0541/956341
 47842 S. GIOVANNI IN M. (RN)
 e-mail: mtma@mtmarchetti.com
 http://www.mtmarchetti.com

PRODUZIONE MODULI ROTANTI



PAGINA TKW 630-8-10

KIT ADDUZIONE INTERNA (OPZIONALE)
 KIT FOR INTERNAL COOLANT (OPTIONAL)
 KIT FUER INTERNE KUEHLMITTELZUFUHR (OPTIONAL)
 Ø40 cod. KIT1000031



Cod. MT	N°Utensili N°Tools N°Werkzeuge	Lubrificazione int. opzionale Coolant through optional Innenkuehlung Optional	Lubrificazione est. Ext. coolant Aussenkuehlung	Misure Dimensions Masse	D
TKW 0784000	1	X	X	mm	40

NEW

PER BOCCOLE DI RIDUZIONE VEDI PAG. TBL150-1-00
 FOR REDUCING BUSHINGS SEE PAGE TBL150-1-00
 FUER REDUZIERBUCHSE SIEHE SEITE TBL150-1-00

TAKISAWA
 MOD: TT-2600CM

PORTAUTENSILE ASSIALE ARRETRATO PER BARENO Ø40mm H=110mm
 Axial rear-set boring bar holder Ø40mm H=110mm
 Axial Bohrhalter zurueckversetzt Ø40mm H=110mm

Subject to change without notice.

M.T. srl
 Via Casino Albini 480
 Tel. 0541/956034-957884
 Fax 0541/956341
 47842 S. GIOVANNI IN M. (RN)
 e-mail: mtma@mtmarchetti.com
 http://www.mtmarchetti.com

PRODUZIONE MODULI ROTANTI

PAGINA TKW 810-8-10