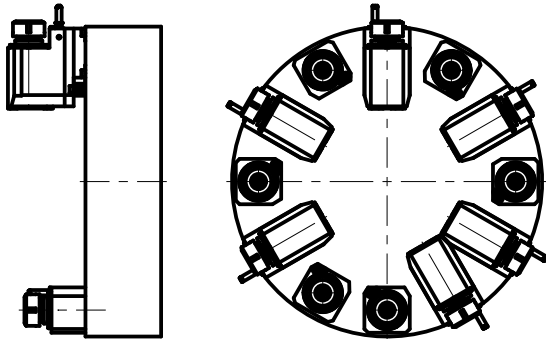
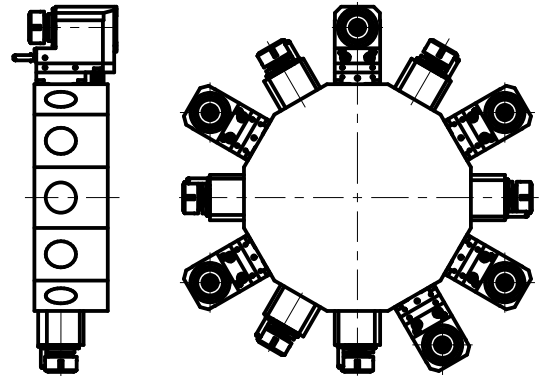


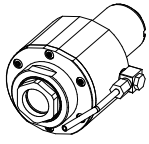
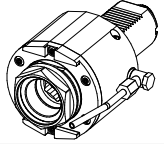
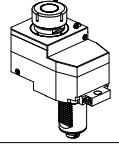
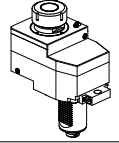
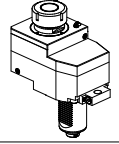
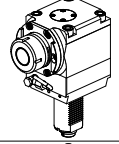
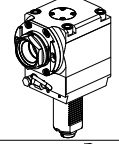
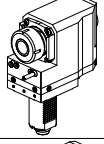
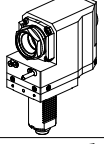
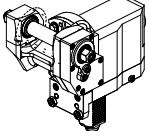
**TORRETTE ASSIALI
AXIAL TURRETS
AXIAL REVOLVER**

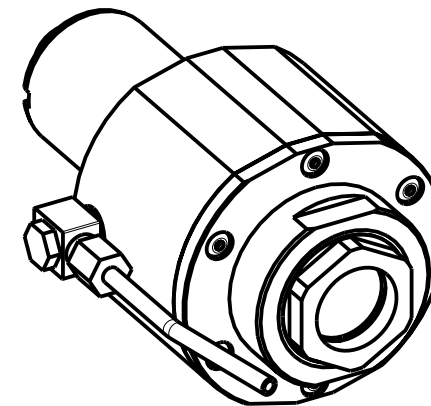
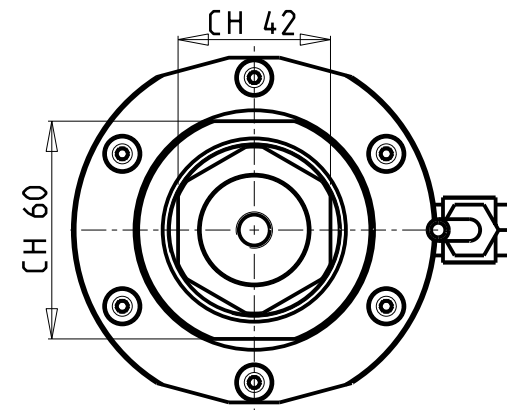
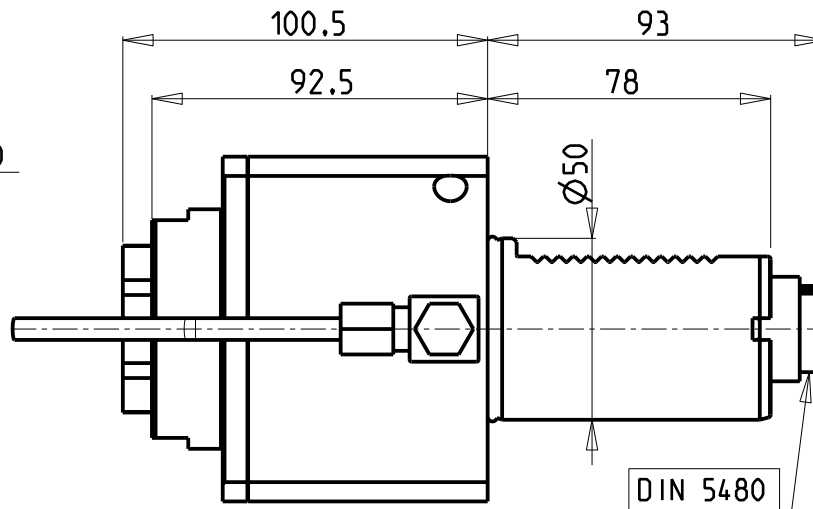
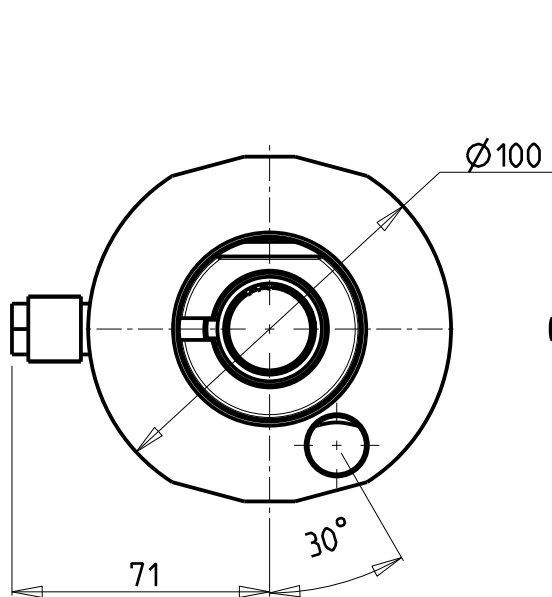


**TORRETTE RADIALI
RADIAL TURRETS
RADIAL REVOLVER**



MACCHINE MACHINES MASCHINEN	MODELLI MODELS MODELLE
BOEHRINGER	NG 400
DOOSAN	V 420 M/TM - V 550 M/TM
FMS	NDM 40
FAT HACO	FCT 700
GILDEMEISTER	CTX 620/650 - CTV 400 - Gamma 1250/2000
SCHERER FEINBAU	VDZ 420
VICTOR	VT-V760 CV

		PAGINA Page Seite
<p>MODULO MOTORIZZATO ASSIALE VDI50 DIN 5480 Axial driven tool VDI50 DIN 5480 Axial angetriebenes Werkzeug VDI50 DIN 5480</p>		SAU017.4.00
<p>MODULO MOTORIZZATO ASSIALE MTSK VDI50 DIN 5480 Axial MTSK driven tool VDI50 DIN 5480 Axial MTSK angetriebenes Werkzeug VDI50 DIN 5480</p>		SAU017.4.00.K
<p>MODULO MOTORIZZATO ASSIALE DISASSATO 60mm VDI50 DIN 5480 Axial driven tool re-directed by 60mm VDI50 DIN 5480 Axial angetriebenes Werkzeug achsversetzt um 60mm VDI50 DIN 5480</p>		SAU017.4.05
<p>MODULO MOTOR. ASSIALE RIDOTTO I=2:1 DISASSATO 60mm VDI50 DIN 5480 Axial geared-down I=2:1 driven tool re-directed by 60mm VDI50 DIN 5480 Axial angetriebenes Werkzeug untersetzt I=2:1 achsversetzt um 60mm VDI50 DIN 5480</p>		SAU017.4.30
<p>MODULO MOTOR. ASSIALE MOLTIPLICATO I=1:2 DISASSATO 60mm VDI50 DIN 5480 Axial geared-up I=1:2 driven tool re-directed by 60mm VDI50 DIN 5480 Axial angetriebenes Werkzeug uebersetzt I=1:2 achsversetzt um 60mm VDI50 DIN 5480</p>		SAU017.4.60
<p>MODULO MOTORIZZATO RADIALE VDI50 DIN 5480 Radial driven tool VDI50 DIN 5480 Radial angetriebenes Werkzeug VDI50 DIN 5480</p>		SAU018.4.00
<p>MODULO MOTORIZZATO RADIALE MTSK VDI50 DIN 5480 Radial MTSK driven tool VDI50 DIN 5480 Radial MTSK angetriebenes Werkzeug VDI50 DIN 5480</p>		SAU018.4.00.K
<p>MODULO MOTORIZZATO RADIALE ARRETRATO VDI50 DIN 5480 Radial rear-set driven tool VDI50 DIN 5480 Radial angetriebenes Werkzeug zurueckversetzt VDI50 DIN 5480</p>		SAU018.4.60
<p>MODULO MOTORIZZATO RADIALE ARRETRATO MTSK VDI50 DIN 5480 Radial MTSK rear-set driven tool VDI50 DIN 5480 Radial MTSK angetriebenes Werkzeug zurueckversetzt VDI50 DIN 5480</p>		SAU018.4.60.K
<p>MODULO MOTORIZZATO PORTACREATORE VDI50 DIN 5480 Driven gear hobber VDI50 DIN 5480 Angetriebenes Zahnradwaelzfraes-Werkzeug VDI50 DIN 5480</p>		SAU340.4.00

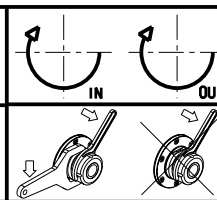


Cod. MT	Mandrino Spindle Spindel	i	RPM	Coppia Max Max Torque Max Drehmoment	Lubrificazione int. Coolant through Innenkuehlung	Lubrificazione est. Ext. coolant Aussekkuehlung	CHIAVI NON INCLUSE Keys not included Schluessel nicht einbegriffen	
							C HUB42	C HUB60
SAU0040140	ERA40	1:1	6000	100Nm		X	C HUB42	C HUB60
SAU0040240	ERA40	1:1	6000	100Nm	P=30bar	X	C HUB42	C HUB60

SAUTER
VDI 50

MODULO MOTORIZZATO ASSIALE VDI50 DIN 5480
Axial driven tool VDI50 DIN 5480
Axial angetriebenes Werkzeug VDI50 DIN 5480

Subject to change without notice.



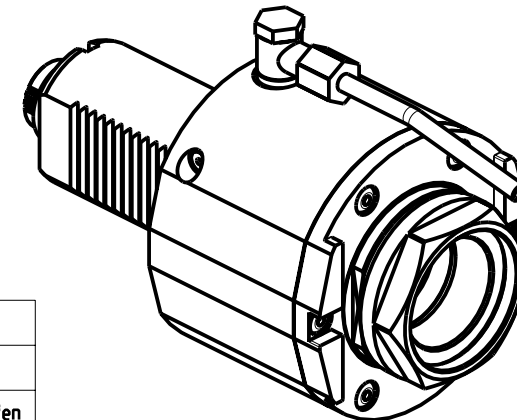
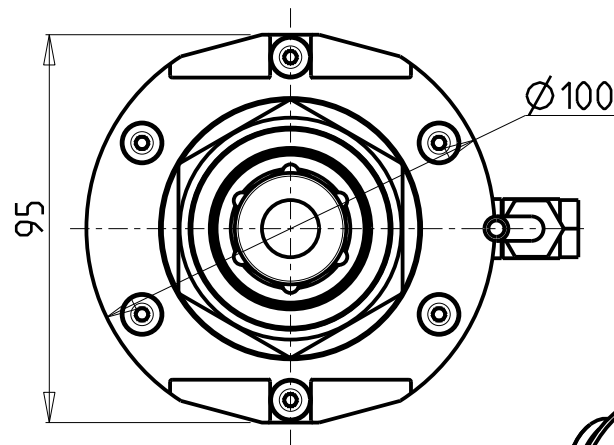
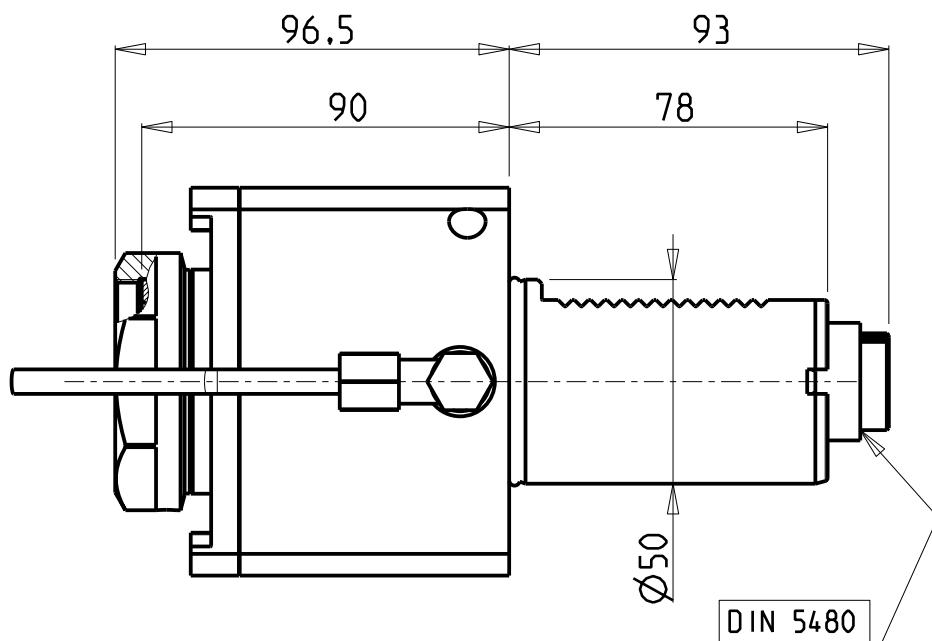
M.T. srl

Via Casino Albini 480
Tel. 0541/956034-957884
Fax 0541/956341
47842 S. GIOVANNI IN M. (RN)
e-mail: mtma@mtmarchetti.com
http://www.mtmarchetti.com

PRODUZIONE MODULI ROTANTI



PAGINA SAU017-4-00



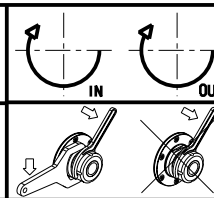
- Chiave inclusa
- Key included
- Schlüssel inbegriffen

PER PORTAUTENSILI MODULARI MTSK-50 VEDI PAG. TBL300-1-50
 FOR MTSK-50 QUICK CHANGE TOOLHOLDERS CLAMPINGS SEE PAGE TBL300-1-50
 FUER MTSK-50 MODULARE WERKZEUGAUFNAHMEN SIEHE SEITE TBL300-1-50

Cod. MT	Mandrino Spindle Spindel	i	RPM	Coppia Max Max Torque Max Drehmoment	Lubrificazione int. Coolant through Innenkuehlung	Lubrificazione est. Ext. coolant Aussenkuehlung	CHIAVI NON INCLUSE Keys not included Schluessel nicht einbegriffen	
							C HUB55	OKU04 30007 ■
SAU0480150	MTSK-50	1:1	6000	100Nm	-	X	C HUB55	OKU04 30007 ■
SAU0480250	MTSK-50	1:1	6000	100Nm	P=30bar	X	C HUB55	OKU04 30007 ■

SAUTER
VDI 50

MODULO MOTORIZZATO ASSIALE MTSK VDI50 DIN 5480
 Axial MTSK driven tool VDI50 DIN 5480
 Axial MTSK angetriebenes Werkzeug VDI50 DIN 5480



M.T. srl
 Via Casino Albini 480
 Tel. 0541/956034-957884
 Fax 0541/956341
 47842 S. GIOVANNI IN M. (RN)
 e-mail: mtma@mtmarchetti.com
 http://www.mtmarchetti.com

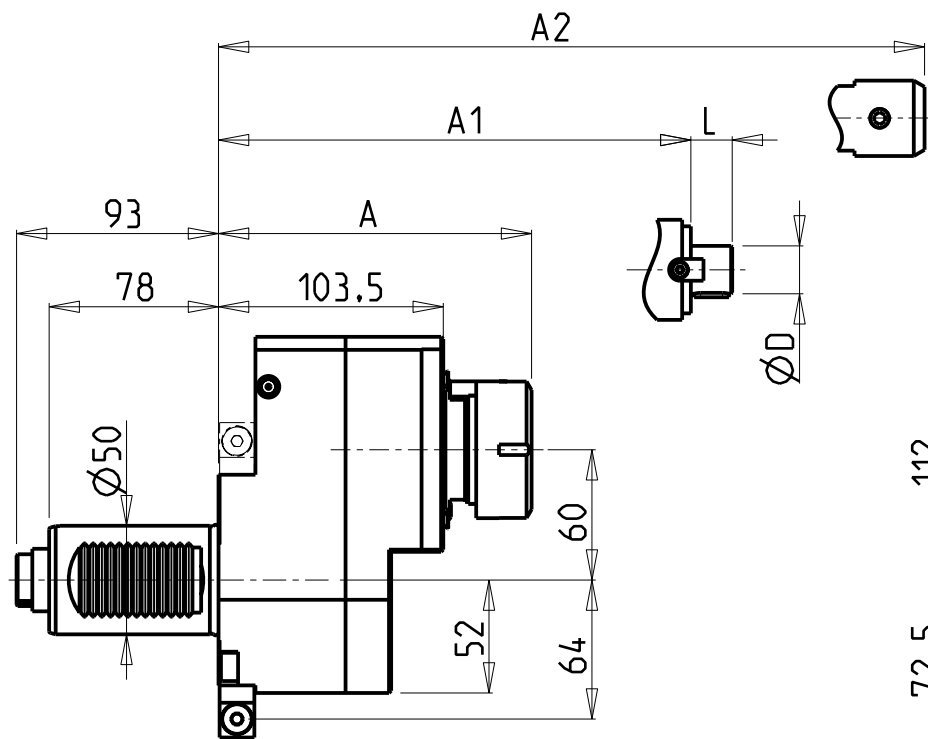
PRODUZIONE MODULI ROTANTI



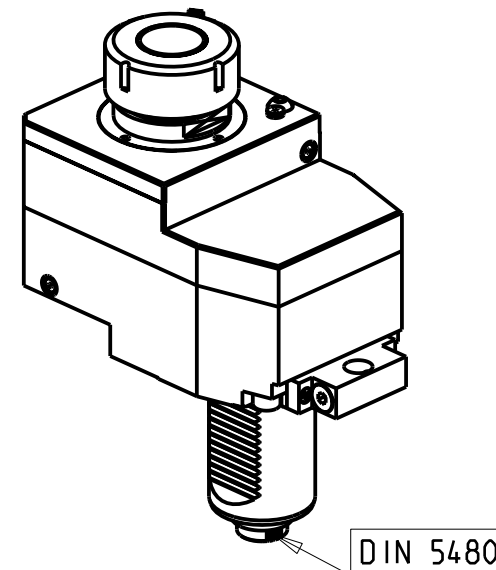
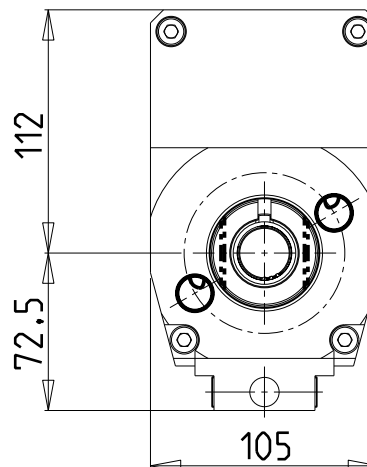
PAGINA SAU017-4-00-K

Subject to change without notice.

10/2018



versione universale
universal version
universal version

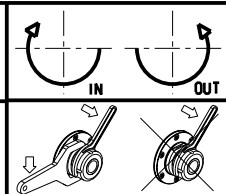


- Chiave inclusa
- Key included
- Schlüssel inbegriffen

Cod. MT	Mandrino Spindle Spindel	I	RPM	Coppia Max Max Torque Max Drehmoment	Lubrificazione est. Ext. coolant Auslenkuehlung	Reversibile lato mandrino/contromandrino Reversible sub/main spindle side Umkehrbare Spindel-seite/ Gegenspindel-seite	A	A1	A2	ØD	L	CHIAVI NON INCLUDE Keys not included Schlüssel nicht einbegriffen	
SAU0281125	ERA25	1:1	6000	100Nm	X	X	144.16	-	-	-	-	CHUB46	CHUB27
SAU0281132	ERA32	1:1	6000	100Nm	X	X	115.8	-	-	-	-	CHUB46	CHUB32
SAU0280140	ER40	1:1	6000	100Nm	X	X	122.5	-	-	-	-	CHUB46	CHSTER40
SAU0282122	Ø22x19	1:1	6000	100Nm	X	X	-	116.5	-	22	19	CHUB46	CH_VTCROCE_M10
SAU0283125	WELDON 25	1:1	6000	100Nm	X	X	-	-	137.5	-	-		

SAUTER
VDI 50

MODULO MOTORIZZATO ASSIALE DISASSATO 60mm VDI50 DIN 5480
Axial driven tool re-directed by 60mm VDI50 DIN 5480
Axial angetriebenes Werkzeug achsversetzt um 60mm VDI50 DIN 5480



M.T. srl
Via Casino Albini 480
Tel. 0541/956034-957884
Fax 0541/956341
47842 S. GIOVANNI IN M. (RN)
e-mail: mtma@mtmarchetti.com
http://www.mtmarchetti.com

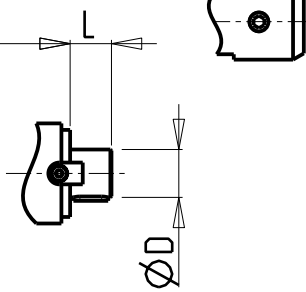
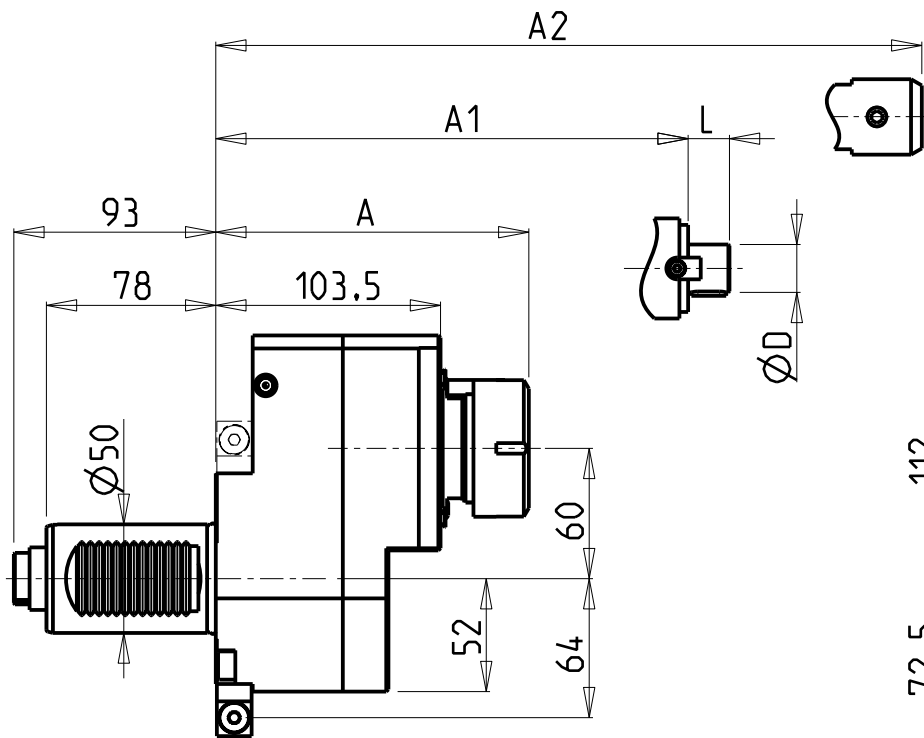
PRODUZIONE MODULI ROTANTI



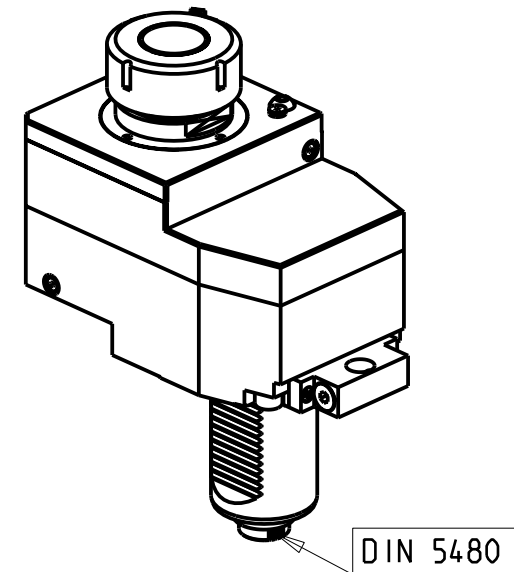
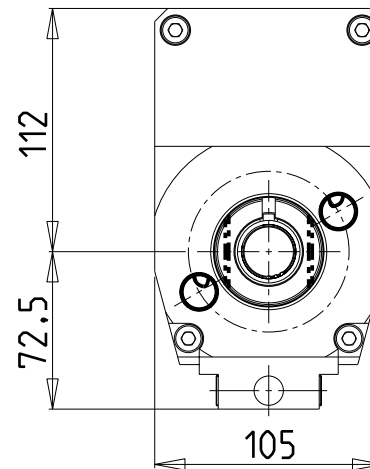
PAGINA SAU017-4-05

Subject to change without notice.

10/2018



versione universale
universal version
universal version

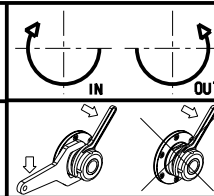


- Chiave inclusa
- Key included
- Schluessel inbegriffen

Cod. MT	Mandrino Spindle Spindel	I	RPM	Coppia Max Max Torque Max Drehmoment	Lubrificazione est. Ext. coolant Auslenkuehlung	Reversibile lato mandrino/contromandrino Reversible sub/main spindle side Umkehrbare Spindel-seite/ Gegenspindel-seite	A	A1	A2	ØD	L	CHIAVI NON INCLUDE Keys not included Schluessel nicht einbegriffen	
SAU0281225	ERA25	2:1	3000	120Nm	X	X	144.16	-	-	-	-	CHUB46	CHUB27
SAU0281232	ERA32	2:1	3000	120Nm	X	X	115.8	-	-	-	-	CHUB46	CHUB32
SAU0280240	ER40	2:1	3000	120Nm	X	X	122.5	-	-	-	-	CHUB46	CHSTER40
SAU0282222	Ø22x19	2:1	3000	120Nm	X	X	-	116.5	-	22	19	CHUB46	CH_VTCROCE_M10
SAU0283225	WELDON 25	2:1	3000	120Nm	X	X	-	-	137.5	-	-	-	-

SAUTER
VDI 50

MODULO MOTORIZZATO ASSIALE RIDOTTO I=2:1 DISASSATO 60mm VDI50 DIN 5480
Axial geared-down I=2:1 driven tool re-directed by 60mm VDI50 DIN 5480
Axial angetriebenes Werkzeug untersetzt I=2:1 achsversetzt um 60mm VDI50 DIN 5480



M.T. srl

Via Casino Albini 480
Tel. 0541/956034-957884
Fax 0541/956341
47842 S. GIOVANNI IN M. (RN)
e-mail: mtma@mtmarchetti.com
http://www.mtmarchetti.com

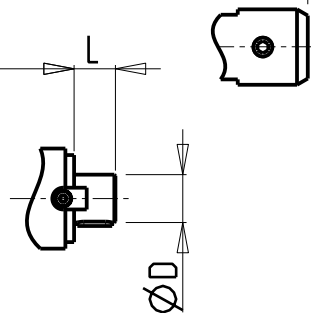
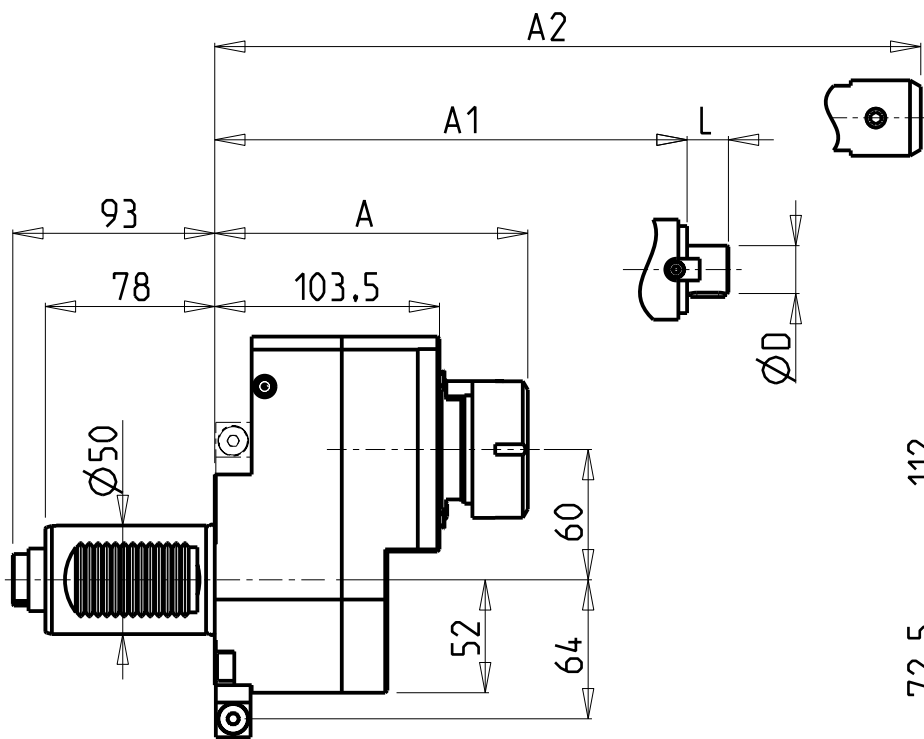
PRODUZIONE MODULI ROTANTI



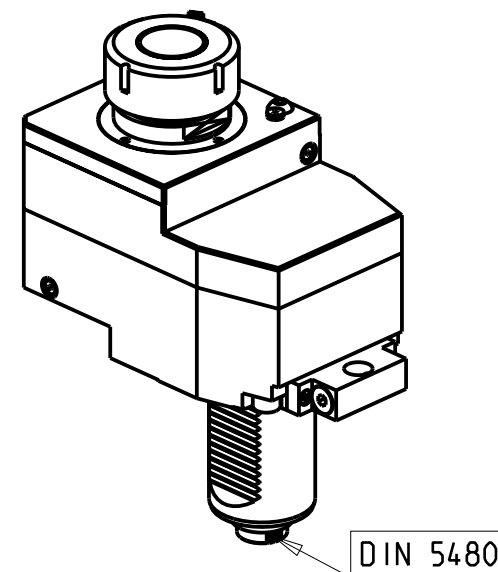
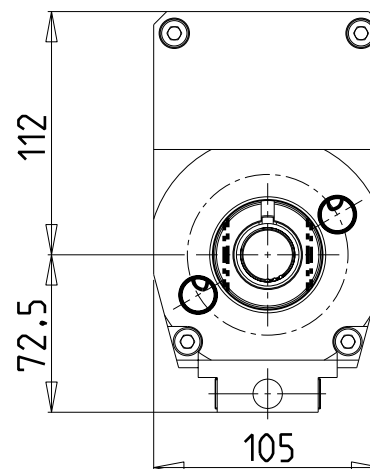
PAGINA SAU017-4-30

Subject to change without notice.

10/2018



versione universale
universal version
universal version

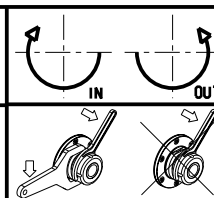


- Chiave inclusa
- Key included
- Schlüssel inbegriffen

Cod. MT	Mandrino Spindle Spindel	I	RPM	Coppia Max Max Torque Max Drehmoment	Lubrificazione est. Ext. coolant Auslenkuehlung	Reversibile lato mandrino/contromandrino Reversible sub/main spindle side Umkehrbare Spindel-seite/ Gegenspindel-seite	A	A1	A2	ØD	L	CHIAVI NON INCLUDE Keys not included Schlüssel nicht einbegriffen	
SAU0281325	ERA25	1:2	12000	80Nm	X	X	144.16	-	-	-	-	CHUB46	CHUB27
SAU0281332	ERA32	1:2	12000	80Nm	X	X	115.8	-	-	-	-	CHUB46	CHUB32
SAU0280340	ER40	1:2	12000	80Nm	X	X	122.5	-	-	-	-	CHUB46	CHSTER40
SAU0282322	Ø22x19	1:2	12000	80Nm	X	X	-	116.5	-	22	19	CHUB46	CH_VTCROCE_M10
SAU0283325	WELDON 25	1:2	12000	80Nm	X	X	-	-	137.5	-	-	-	-

SAUTER
VDI 50

MODULO MOTOR. ASSIALE MOLTIPLICATO I=1:2 DISASSATO 60mm VDI50 DIN 5480
Geared-up I=1:2 axial driven tool re-directed by 60mm VDI50 DIN 5480
Axial angetriebenes Werkzeug uebersetzt I=1:2 achsversetzt um 60mm VDI50 DIN 5480



M.T. srl
Via Casino Albini 480
Tel. 0541/956034-957884
Fax 0541/956341
47842 S. GIOVANNI IN M. (RN)
e-mail: mtma@mtmarchetti.com
http://www.mtmarchetti.com

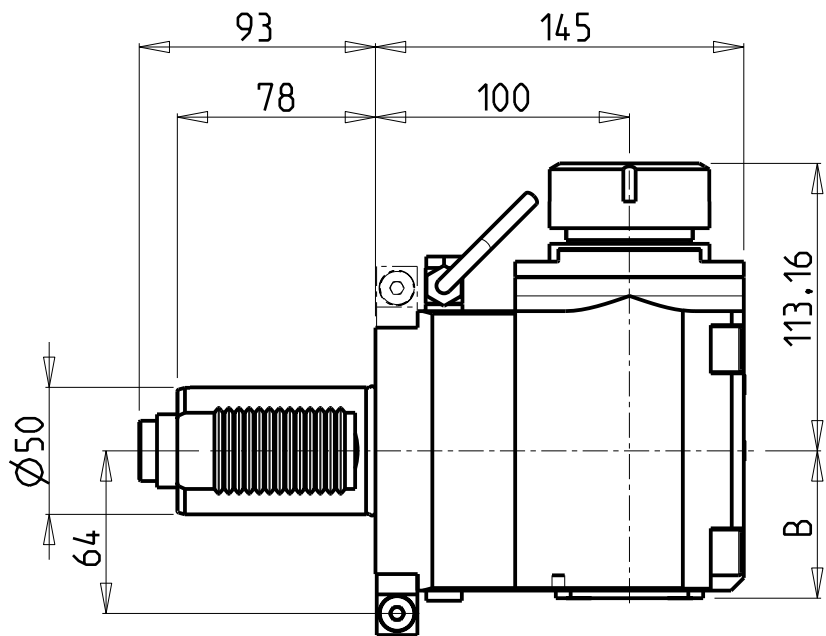
PRODUZIONE MODULI ROTANTI



PAGINA SAU017-4-60

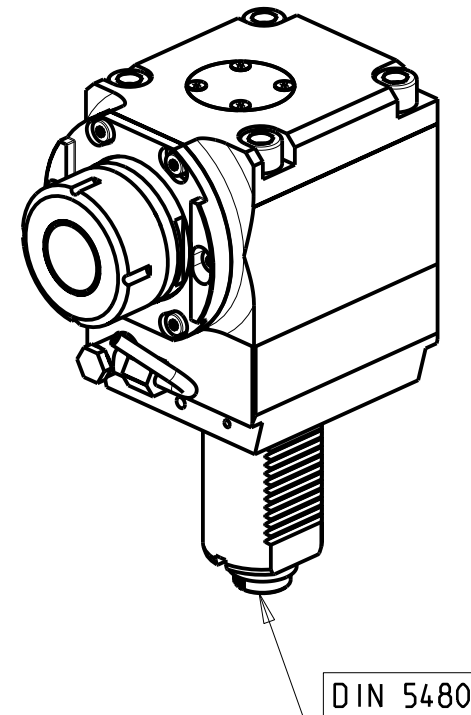
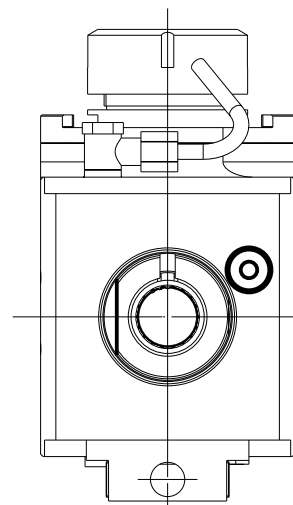
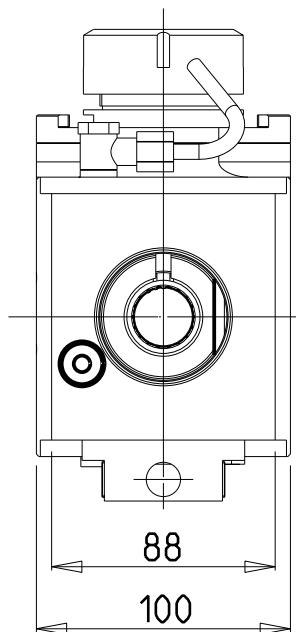
Subject to change without notice.

10/2018



versione dx
right version
version rechts

versione sx
left version
version links



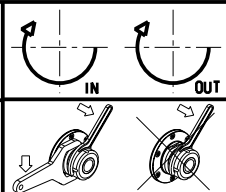
- Chiave inclusa
- Key included
- Schluessel inbegriffen

Cod. MT		Mandrino Spindle Spindel	i	RPM	Coppia Max Max Torque Max Drehmoment	Lubrificazione int. Coolant through Innenkuehlung	Lubrificazione est. Ext. coolant Aussenkuehlung	B	CHIAVI NON INCLUDE Keys not included Schluessel nicht einbegriffen	
versione dx right version version rechts	versione sx left version version links								CHSTER40	OKU0430007 *
SAU0490140	SAU0491140	ER40	1:1	6000	100Nm	-	X	58	CHSTER40	OKU0430007 *
SAU0490240	SAU0491240	ER40	1:1	6000	100Nm	P=70bar	X	66.5	CHSTER40	OKU0430007 *

SAUTER
VDI 50

MODULO MOTORIZZATO RADIALE VDI50 DIN 5480
Radial driven tool VDI50 DIN 5480
Radial angetriebenes Werkzeug VDI50 DIN 5480

Subject to change without notice.

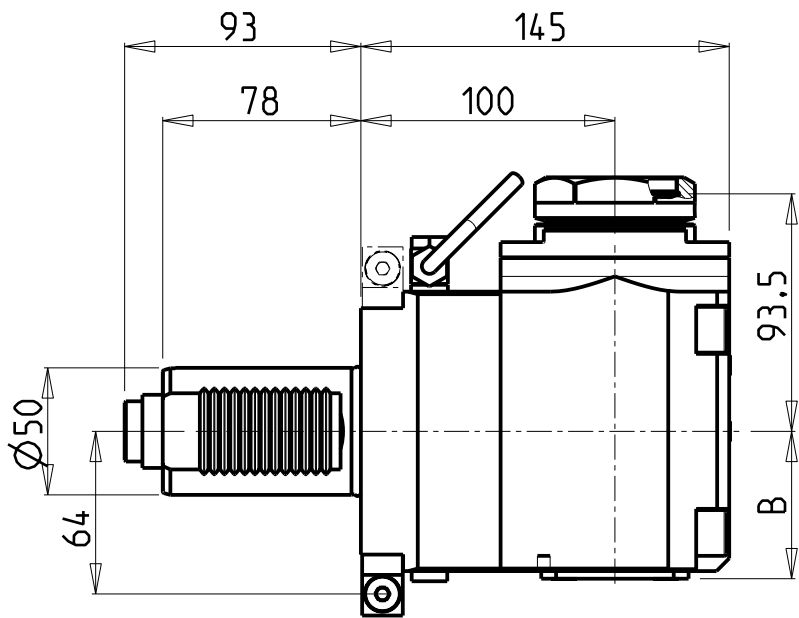


M.T. srl
Via Casino Albini 480
Tel. 0541/956034-957884
Fax 0541/956341
47842 S. GIOVANNI IN M. (RN)
e-mail: mtma@mtmarchetti.com
http://www.mtmarchetti.com

PRODUZIONE MODULI ROTANTI

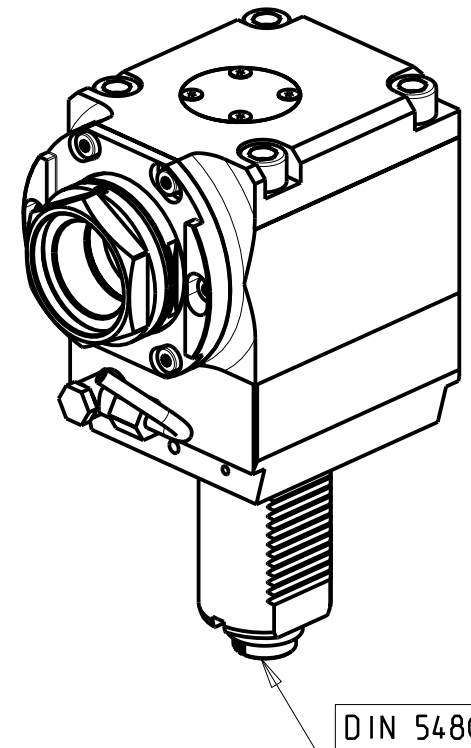
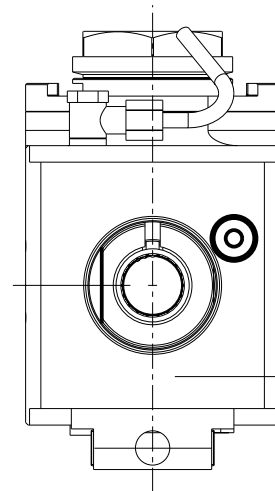
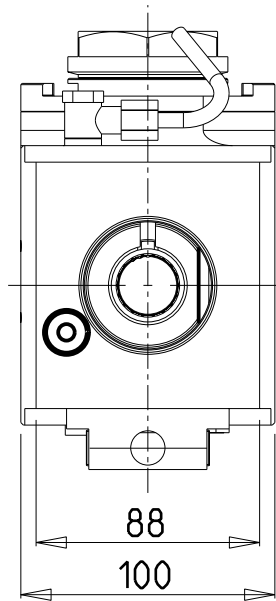


PAGINA SAU018-4-00



versione dx
right version
version rechts

versione sx
left version
version links



DIN 5480

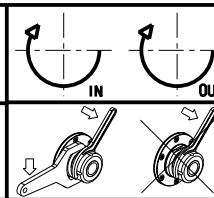
- Chiave inclusa
- Key included
- Schlüssel inbegriffen

PER PORTAUTENSILI MODULARI MTSK-50 VEDI PAG. TBL300-1-50
FOR MTSK-50 QUICK CHANGE TOOLHOLDERS CLAMPINGS SEE PAGE TBL300-1-50
FUER MTSK-50 MODULARE WERKZEUGAUFNAHMEN SIEHE SEITE TBL300-1-50

Cod. MT		Mandrino Spindle Spindel	i	RPM	Coppia Max Max Torque Max Drehmoment	Lubrificazione int. Coolant through Innenkuehlung	Lubrificazione est. Ext. coolant Aussenkuehlung	B	CHIAVI NON INCLUSE Keys not included Schlüssel nicht einbegriffen	
versione dx right version version rechts	versione sx left version version links								C HUB55	OKU0430007 *
SAU0470150	SAU0471150	MTSK-50	1:1	6000	100Nm	-	X	58	C HUB55	OKU0430007 *
SAU0470250	SAU0471250	MTSK-50	1:1	6000	100Nm	P=70bar	X	66.5	C HUB55	OKU0430007 *

SAUTER
VDI 50

MODULO MOTORIZZATO RADIALE MTSK VDI50 DIN 5480
Radial MTSK driven tool VDI50 DIN 5480
Radial MTSK angetriebenes Werkzeug VDI50 DIN 5480



M.T. srl
Via Casino Albini 480
Tel. 0541/956034-957884
Fax 0541/956341
47842 S. GIOVANNI IN M. (RN)
e-mail: mtma@mtmarchetti.com
http://www.mtmarchetti.com

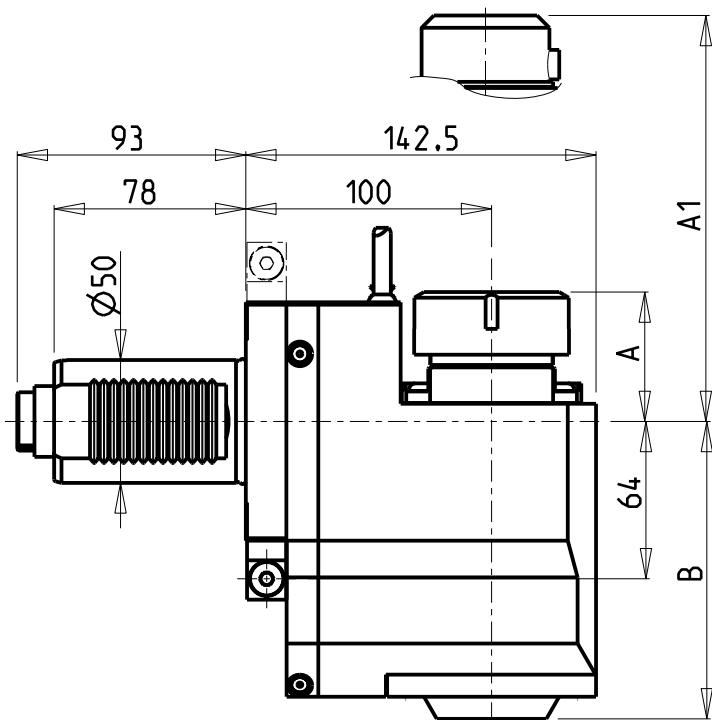
PRODUZIONE MODULI ROTANTI



PAGINA SAU018-4-00-K

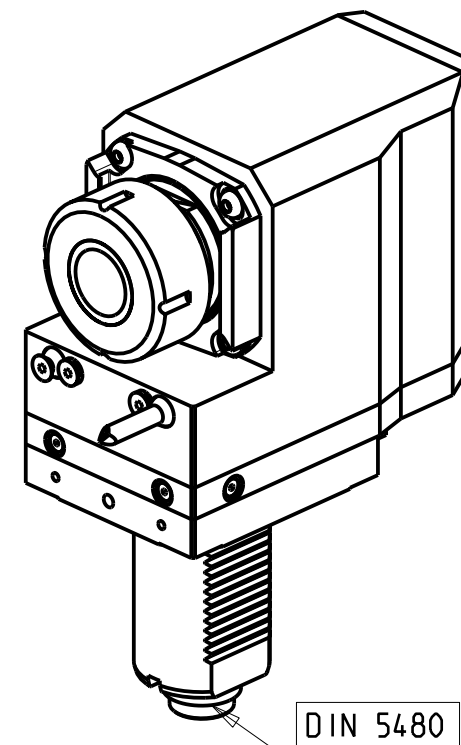
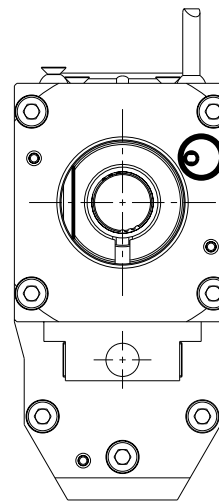
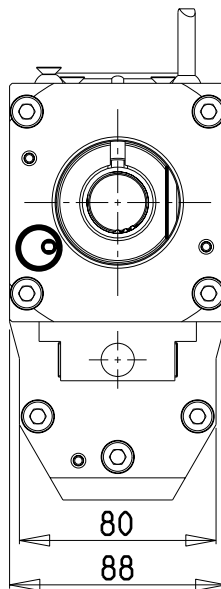
Subject to change without notice.

10/2018



versione dx
right version
version rechts

versione sx
left version
version links



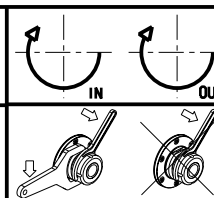
DIN 5480

- Chiave inclusa
- Key included
- Schluessel inbegriffen

Cod. MT		Mandrino Spindle Spindel	I	RPM	Coppia Max Max Torque Max Drehmoment	Lubrificazione int. Coolant through Innenkuehlung	Lubrificazione est. Ext. coolant Aussenkuehlung	A	A1	B	CHIAVI NON INCLUDE Keys not included Schluessel nicht einbegriffen	
versione dx right version version rechts	versione sx left version version links											
SAU0270140	SAU0271140	ER40	1:1	6000	100Nm	-	X	52.66	-	121	OKU0650004 •	CHSTER40
SAU0270240	SAU0271240	ER40	1:1	6000	100Nm	P=70bar	X	52.66	-	135	OKU0650004 •	CHSTER40
SAU0270325	SAU0271325	WELDON25	1:1	6000	100Nm	-	X	-	42.5	121	-	-
SAU0270425	SAU0271425	WELDON25	1:1	6000	100Nm	P=70bar	X	-	42.5	135	-	-

SAUTER
VDI 50

MODULO MOTORIZZATO RADIALE ARRETRATO VDI50 DIN 5480
Radial rear-set driven tool VDI50 DIN 5480
Radial angetriebenes Werkzeug zurueckversetzt VDI50 DIN 5480



M.T. srl
Via Casino Albini 480
Tel. 0541/956034-957884
Fax 0541/956341
47842 S. GIOVANNI IN M. (RN)
e-mail: mtma@mtmarchetti.com
http://www.mtmarchetti.com

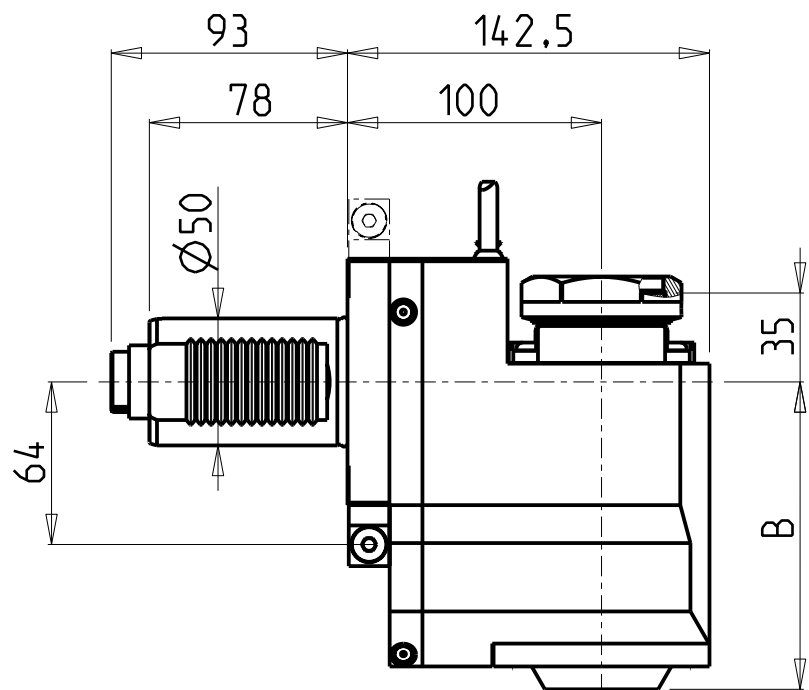
PRODUZIONE MODULI ROTANTI



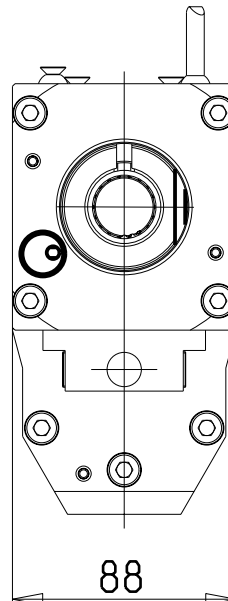
PAGINA SAU018-4-60

Subject to change without notice.

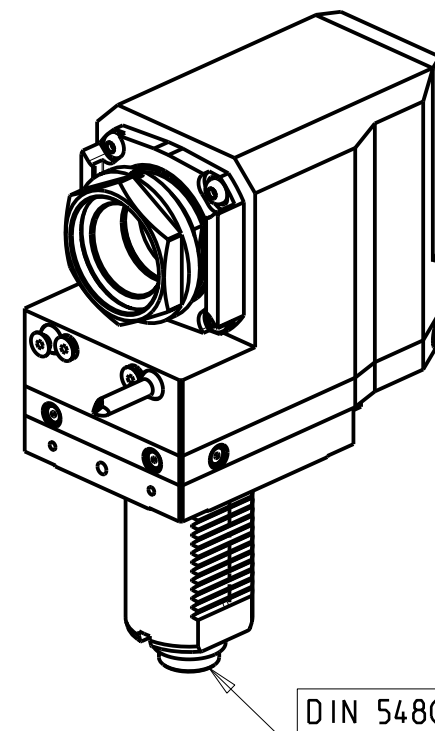
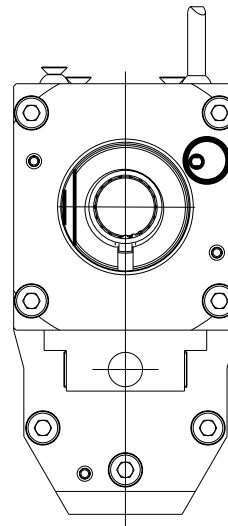
10/2018



versione dx
right version
version rechts



versione sx
left version
version links



DIN 5480

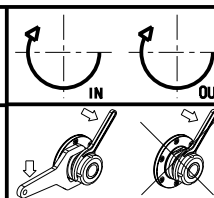
PER PORTAUTENSILI MODULARI MTSK-50 VEDI PAG. TBL300-1-50
FOR MTSK-50 QUIK CHANGE TOOLHOLDERS CLAMPINGS SEE PAGE TBL300-1-50
FUER MTSK-50 MODULARE WERKZEUGAUFNAHMEN SIEHE SEITE TBL300-1-50

Cod. MT		Mandrino Spindle Spindel	i	RPM	Coppia Max Max Torque Max Drehmoment	Lubrificazione int. Coolant through Innenkuehlung	Lubrificazione est. Ext. coolant Aussenkuehlung	B	CHIAVI NON INCLUSE Keys not included Schluessel nicht einbegriffen	
versione dx right version version rechts	versione sx left version version links								C HUB55	OKU0650004 *
SAU0630150	SAU0631150	MTSK-50	1:1	6000	100Nm	-	X	121	C HUB55	OKU0650004 *
SAU0630250	SAU0631250	MTSK-50	1:1	6000	100Nm	P=70bar	X	135	C HUB55	OKU0650004 *

- Chiave inclusa
- Key included
- Schluessel inbegriffen

SAUTER
VDI 50

MODULO MOTORIZZATO RADIALE ARRETRATO MTSK VDI50 DIN 5480
Radial MTSK rear-set driven tool VDI50 DIN 5480
Radial MTSK angetriebenes Werkzeug zurueckversetzt VDI50 DIN 5480



M.T. srl
Via Casino Albini 480
Tel. 0541/956034-957884
Fax 0541/956341
47842 S. GIOVANNI IN M. (RN)
e-mail: mtma@mtmarchetti.com
http://www.mtmarchetti.com

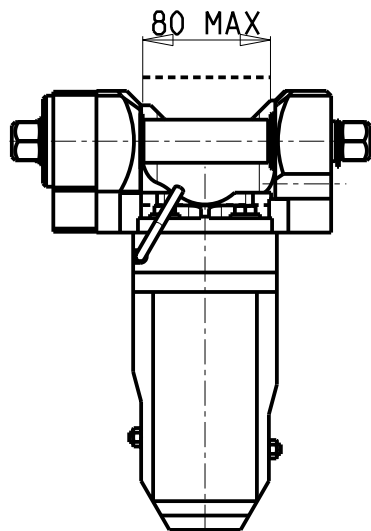
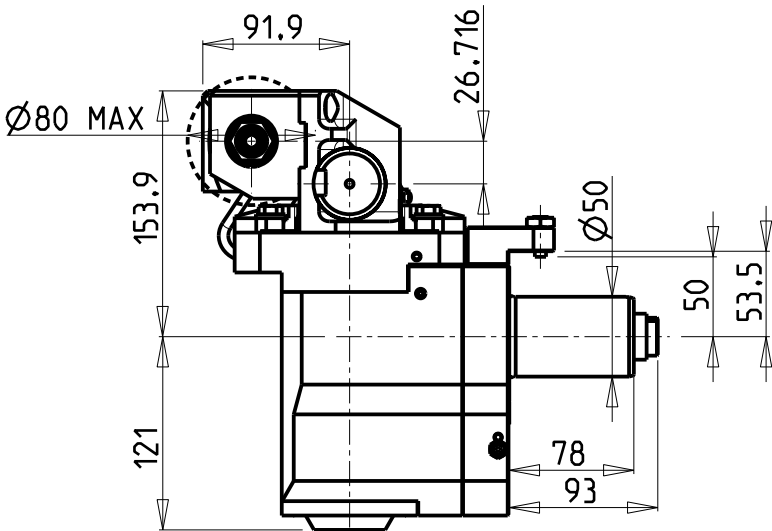
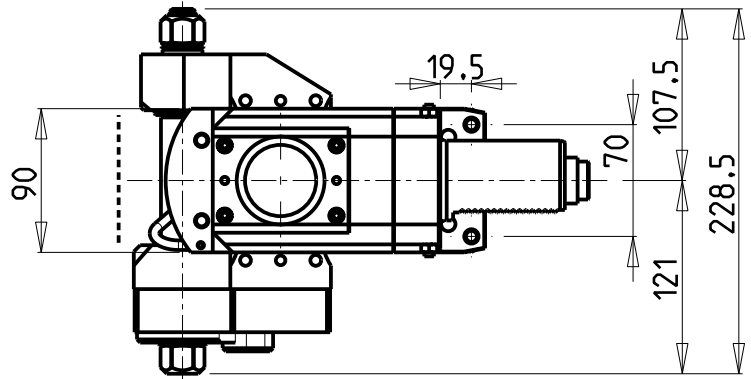
PRODUZIONE MODULI ROTANTI



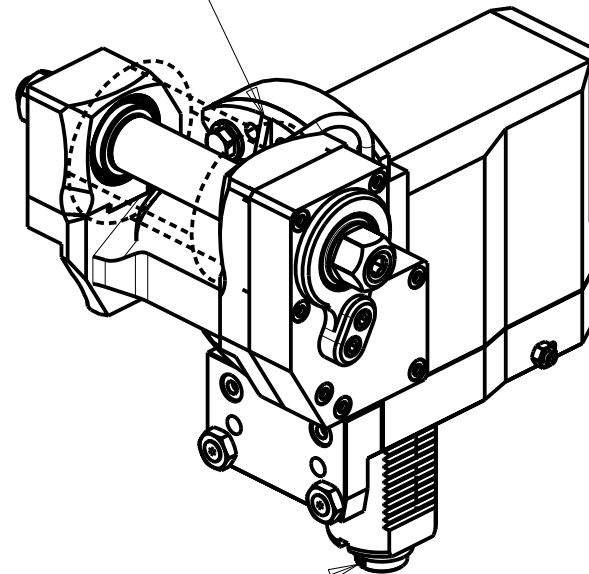
PAGINA SAU018-4-60-K

Subject to change without notice.

10/2018

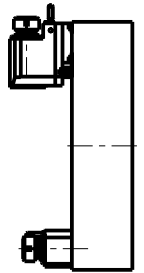


INCLINAZIONE
REGOLABILE $\pm 20^\circ$



DIN 5480

TORRETTE ASSIALI
AXIAL TURRETS
AXIAL REVOLVER



PER ALBERI E DISTANZIALI VEDI PAG. TBL250-1-00
FOR SHAFT END SPACER SEE PAGE TBL250-1-00
FUER DORN UND ABSTANDSSTUECK SEITE TBL250-1-00

DOTAZIONI - SUPPLIED WITH - AUSSTATTUNG

mm / inch - N°1 ALBERO + DISTANZIALI
- N°1 SHAFT + SPACER
- N°1 DORN + ABSTANDSSTUECK

Cod. MT	I	RPM	Coppia Max Max Torque Max Drehmoment	Lubrificazione est. Ext. coolant Aussenkuehlung	D (mm)	D (Inch)	CHIAVI INCLUSE Keys included Schluessel einbegriffen		
							CHUB24	CHUB13	CHESL08
SAU0011150	1:1	6000	60Nm	X	16-22-27-32	3/4"-1"-1 1/4"	CHUB24	CHUB13	CHESL08
SAU0012150	2:1	3000	80Nm	X	16-22-27-32	3/4"-1"-1 1/4"	CHUB24	CHUB13	CHESL08

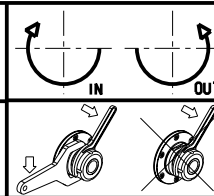
SAUTER
VDI 50

MODULO MOTORIZZATO PORTACREATORE VDI50 DIN 5480

Driven gear hobber VDI50 DIN 5480

Angetriebenes Zahnradwaeltzraes-Werkzeug VDI50 DIN 5480

Subject to change without notice.



M.T. srl

Via Casino Albini 480
Tel. 0541/956034-957884

Fax 0541/956341

47842 S. GIOVANNI IN M. (RN)

e-mail: mtma@mtmarchetti.com

http://www.mtmarchetti.com

PRODUZIONE MODULI ROTANTI



PAGINA SAU340-4-00

10/2018