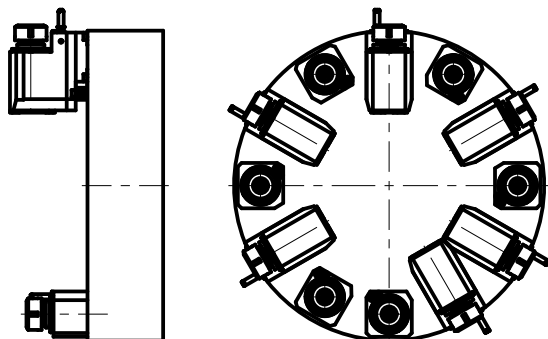
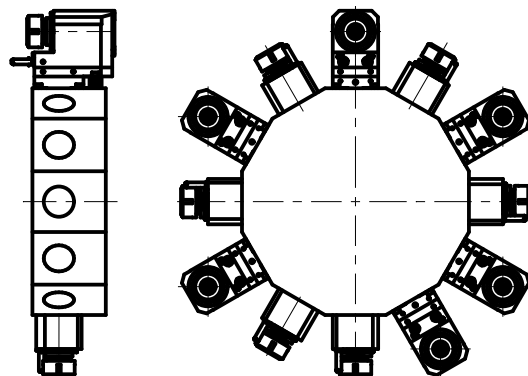


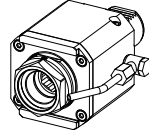

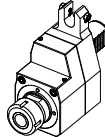
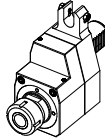

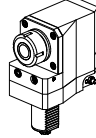
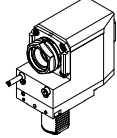
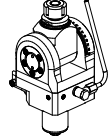
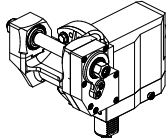
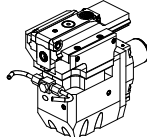
**TORRETTE ASSIALI
AXIAL TURRETS
AXIAL REVOLVER**

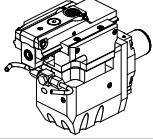


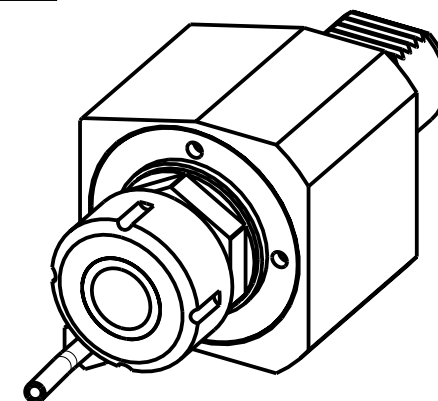
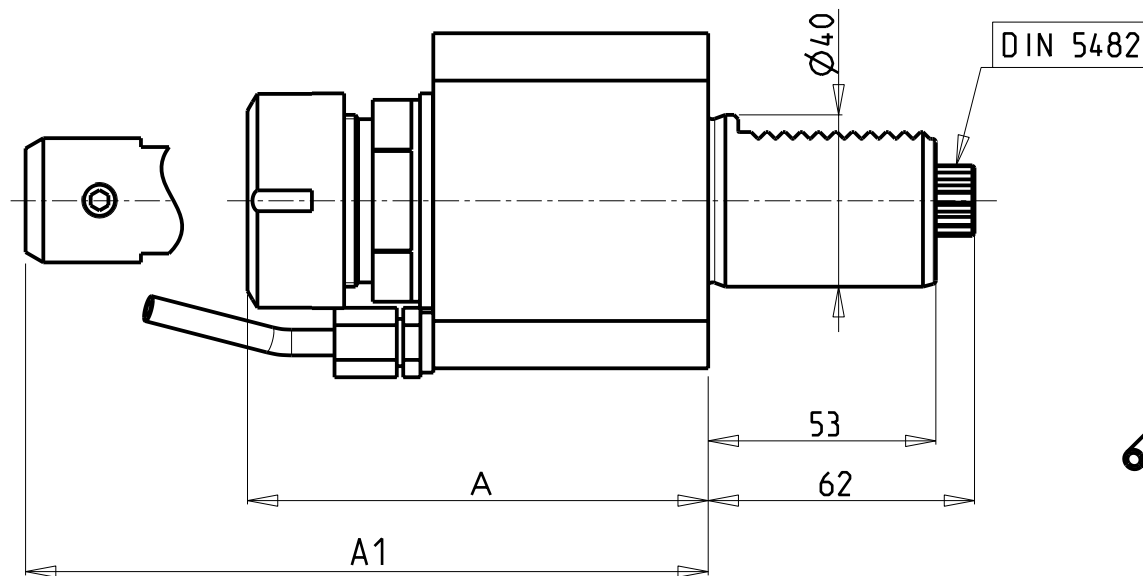
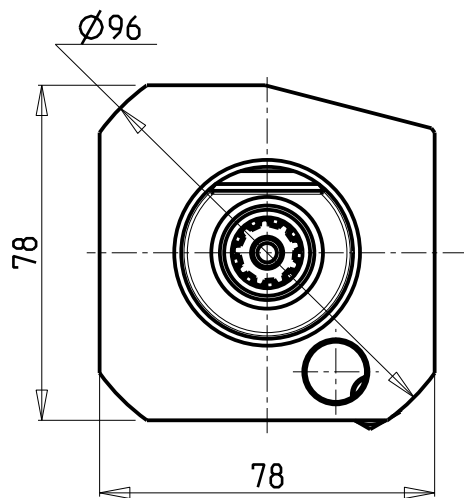
**TORRETTE RADIALI
RADIAL TURRETS
RADIAL REVOLVER**



MACCHINE MACHINES MASCHINEN	MODELLI MODELS MODELLE
BOEHRINGER	25 M
BRINKMANN	NC 600
CAZENEUVE	CT 200
COLCHESTER	220 M - T 10 M
CONTUR	TSL 500
DOOSAN	S 390 M
GILDEMEISTER	CTX 400/500 - CTX 510 ECO
GRAZIANO	GR 500 - GT 400/500 - MT 500
HEID	S 300
MAGDEBURGER	M 120/160/400
MAX MULLER	MD 3 iT
MONFORTS	RNC 4/5/400/500/600
NILES	N 10/20
SOMAB	Transmab 400
SPINNER	TC 42/65 MC
STOREBRO	STB 2000 - STM 2000
TRAUB	TNA 400
WEILER	DZ 45/67
WFL	M 30 - WNC 300/400

		PAGINA Page Seite
MODULO MOTORIZZATO ASSIALE VDI40 DIN 5482 Axial driven tool VDI40 DIN 5482 Axial angetriebenes Werkzeug VDI40 DIN 5482		SAU014.3.00
MODULO MOTORIZZATO ASSIALE MTSK VDI40 DIN 5482 Axial MTSK driven tool VDI40 DIN 5482 Axial MTSK angetriebenes Werkzeug VDI40 DIN 5482		SAU014.3.00.K 
MODULO MOTORIZZATO ASSIALE DISASSATO 42mm VDI40 DIN 5482 Axial driven tool re-directed by 42mm VDI40 DIN 5482 Axial angetriebenes Werkzeug achsversetzt um 42mm VDI40 DIN 5482		SAU014.3.05
MODULO MOTOR. ASSIALE RIDOTTO I=2:1 DISASSATO 42mm VDI40 DIN 5482 Axial geared-down I=2:1 driven tool re-directed by 42mm VDI40 DIN 5482 Axial angetriebenes Werkzeug untersetzt I=2:1 achsversetzt um 42mm VDI40 DIN 5482		SAU014.3.30
MODULO MOTORIZZ. ASSIALE MOLTIPLICATO I=1:2 DISASSATO 42mm VDI40 Axial geared-up I=1:2 driven tool re-directed by 42mm VDI40 Axial angetriebenes Werkzeug uebersetzt I=1:2 achsversetzt um 42mm VDI40		SAU014.3.60
MODULO MOTORIZZATO RADIALE VDI40 DIN 5482 H=100mm Radial driven tool VDI40 DIN 5482 H=100mm Radial angetriebenes Werkzeug VDI40 DIN 5482 H=100mm		SAU015.3.00
MODULO MOTORIZZATO RADIALE ARRETRATO VDI40 DIN 5482 H=85mm Radial rear-set driven tool VDI40 DIN 5482 H=85mm Radial angetriebenes Werkzeug zurueckversetzt VDI40 DIN 5482 H=85mm		SAU015.3.60
MODULO MOTORIZZ. RADIALE ARRETRATO MTSK VDI40 DIN 5482 H=85mm Radial MTSK rear-set driven tool VDI40 DIN 5482 H=85mm Radial MTSK angetriebenes Werkzeug zurueckversetzt VDI40 DIN 5482 H=85mm		SAU015.3.60.K
MODULO MOTORIZZATO ORIENTABILE ±90° VDI40 DIN 5482 ±90° adjustable angle driven tool VDI40 DIN 5482 Angetriebenes Werkzeug schwenkbar ±90° VDI40 DIN 5482		SAU016.3.60
MOD. MOTOR. ORIENTABILE ±90° CON NONIO DIGITALE VDI40 DIN 5482 ±90° adjustable angle driven tool with digital display VDI40 DIN 5482 Angetriebenes Werkzeug schwenkbar ±90° mit digital display VDI40 DIN 5482		SAU016.3.61
MODULO MOTORIZZATO PORTACREATORE VDI40 DIN 5482 Driven gear hobber VDI40 DIN 5482 Angetriebenes Zahnradwaelzfraes-Werkzeug VDI40 DIN 5482		SAU340.3.10
MODULO MOTORIZZATO STOZZATORE CORSA 50mm VDI40 DIN 5482 Slotting driven tool 50mm stroke VDI40 DIN 5482 Keilnutenstossmaschine 50mm Hub VDI40 DIN 5482		SAU360.3.80

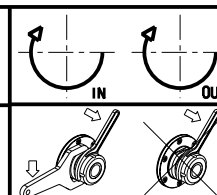
		PAGINA Page Seite
MODULO MOTORIZZATO STOZZATORE CORSA 25mm VDI40 DIN 5482 Slotting driven tool 25mm stroke VDI40 DIN 5482 Keilnutenstossmaschine 25mm Hub VDI40 DIN 5482		SAU360.3.81



Cod. MT	Mandrino Spindle Spindel	I	RPM	Coppia Max Max Torque Max Drehmoment	Lubrificazione int. Coolant through Innenkuehlung	Lubrificazione est. Ext. coolant Aussenkuehlung	A	A1	CHIAVI NON INCLUSE Keys not included Schluessel nicht einbegriffen	
202SAU_A32_40D00	ER32	1:1	4000	70Nm	-	X	107.26	-	CHUB41	CHSTER32
202SAU_A32_40D10	ER32	1:1	4000	70Nm	P=30bar	X	110.46	-	CHUB41	CHSTER32
SAU0460420	WELDON 20	1:1	4000	70Nm	-	X	-	97.3	-	-

SAUTER
VDI 40

MODULO MOTORIZZATO ASSIALE VDI40 DIN 5482
Axial driven tool VDI40 DIN 5482
Axial angetriebenes Werkzeug VDI40 DIN 5482



M.T. srl

Via Casino Albini 480
Tel. 0541/956034-957884
Fax 0541/956341
47842 S. GIOVANNI IN M. (RN)
e-mail: mtma@mtmarchetti.com
http://www.mtmarchetti.com

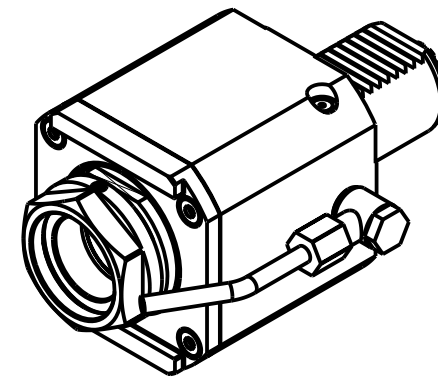
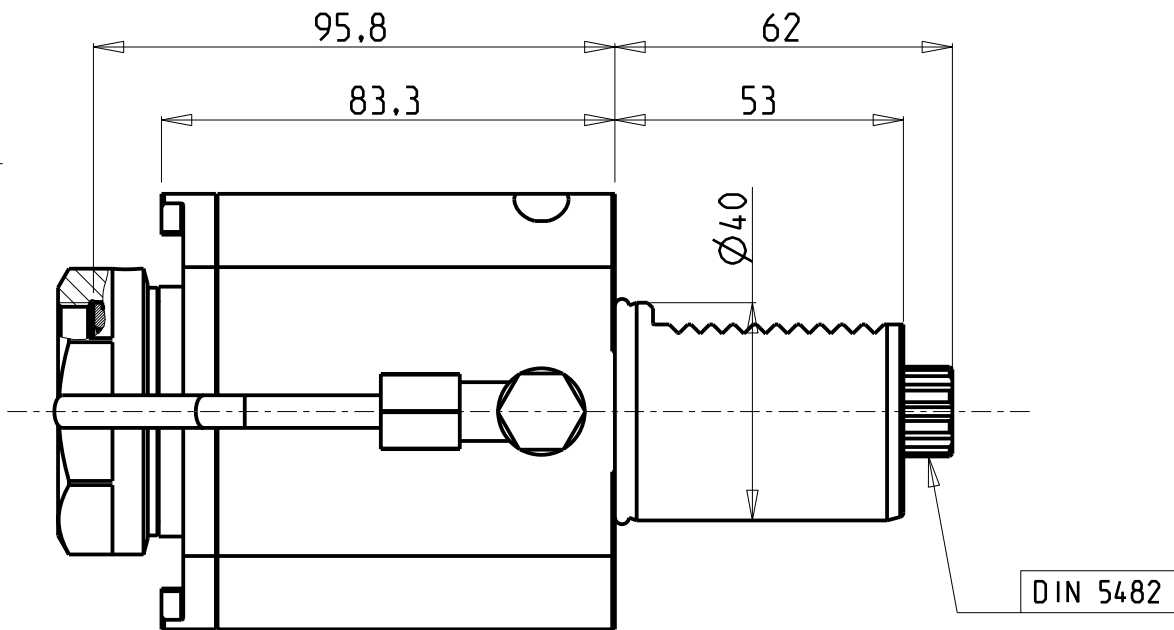
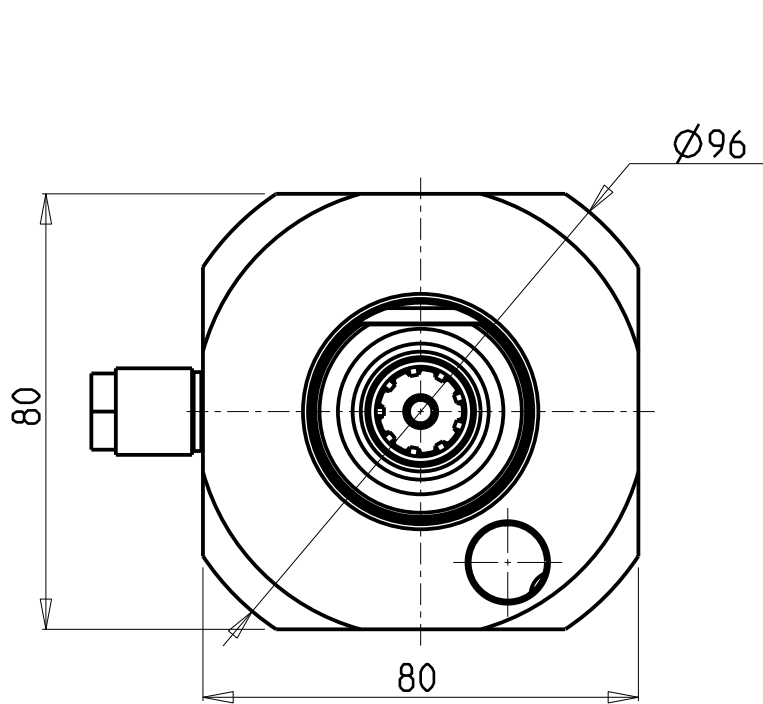
PRODUZIONE MODULI ROTANTI



PAGINA SAU014-3-00

Subject to change without notice.

10/2018



- Chiave inclusa
- Key included
- Schluessel inbegriffen

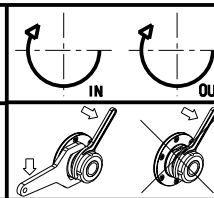
PER PORTAUTENSILI MODULARI MTSK-40 VEDI PAG. TBL300-1-40
 FOR MTSK-40 QUIK CHANGE TOOLHOLDERS CLAMPINGS SEE PAGE TBL300-1-40
 FUER MTSK-40 MODULARE WERKZEUGAUFNAHMEN SIEHE SEITE TBL300-1-40

Cod. MT	Mandrino Spindle Spindel	I	RPM	Coppia Max Max Torque Max Drehmoment	Lubrificazione est. Ext. coolant Ausseinkuehlung	CHIAVI NON INCLUSE Keys not included Schluessel nicht einbegriffen
SAU0930140	MTSK-40	1:1	4000	70Nm	X	CHUB46 OKU0650004

NEW

SAUTER
VDI 40

MODULO MOTORIZZATO ASSIALE MTSK VDI40 DIN 5482
 Axial MTSK driven tool VDI40 DIN 5482
 Axial MTSK angetriebenes Werkzeug VDI40 DIN 5482



M.T. srl
 Via Casino Albini 480
 Tel. 0541/956034-957884
 Fax 0541/956341
 47842 S. GIOVANNI IN M. (RN)
 e-mail: mtma@mtmarchetti.com
 http://www.mtmarchetti.com

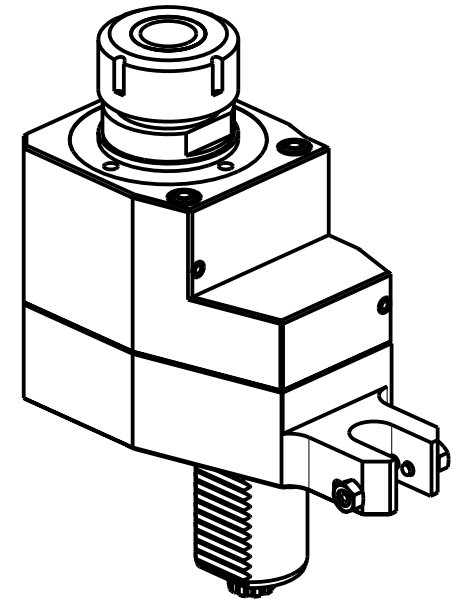
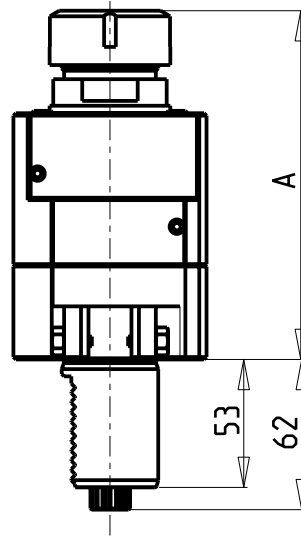
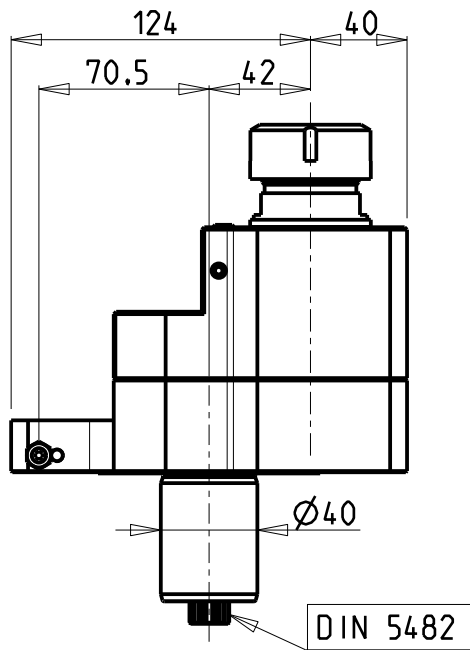
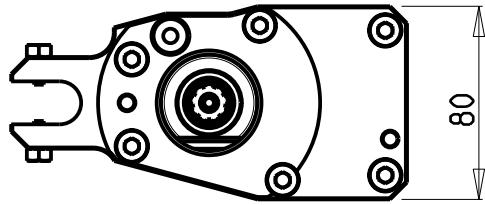
PRODUZIONE MODULI ROTANTI



PAGINA SAU014-3-00-K

Subject to change without notice.

10/2018

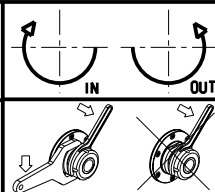


Cod. MT versione dx right version version rechts	Mandrino Spindle Spindel	I	RPM	Coppia Max Max Torque Max Drehmoment	Lubrificazione int. Coolant through Innenkuehlung	Lubrificazione est. Ext. coolant Aussenkuehlung	A	CHIAVI NON INCLUSE Keys not included Schluessel nicht einbegriffen	
								CHUB41	CHSTER32
205SAU_A32_40D00	ER32	1:1	4000	70Nm		X	144.46	CHUB41	CHSTER32
205SAU_A32_40D10	ER32	1:1	4000	70Nm	P=30bar		164.96	CHUB38	CHSTER32

SAUTER
VDI 40

MODULO MOTORIZZATO ASSIALE DISASSATO 42mm VDI40 DIN 5482
Axial driven tool re-directed by 42mm VDI40 DIN 5482
Axial angetriebenes Werkzeug achsversetzt um 42mm VDI40 DIN 5482

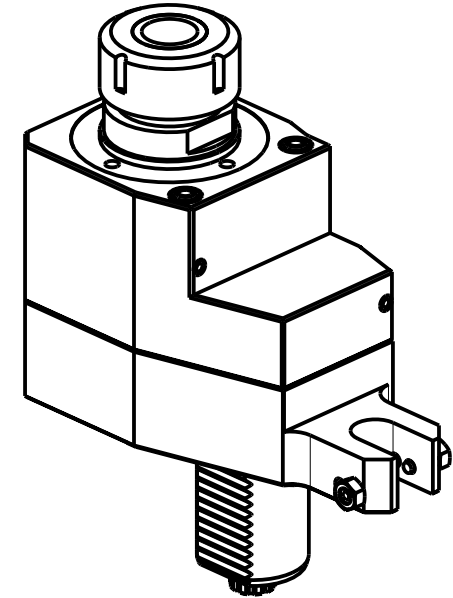
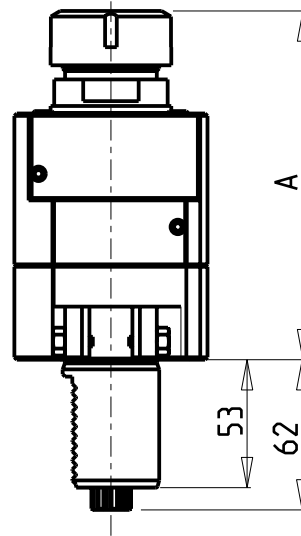
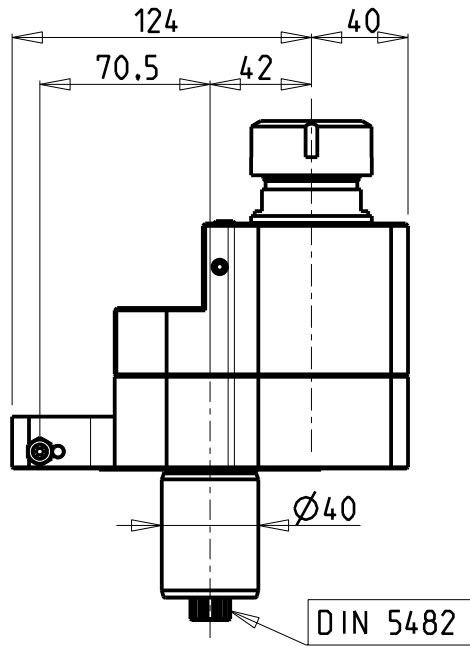
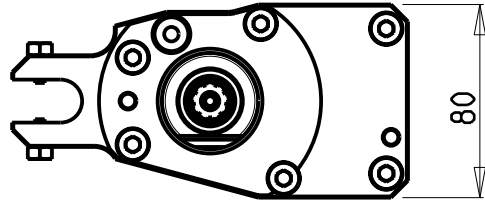
Subject to change without notice.



M.T. srl
Via Casino Albini 480
Tel. 0541/956034-957884
Fax 0541/956341
47842 S. GIOVANNI IN M. (RN)
e-mail: mtma@mtmarchetti.com
http://www.mtmarchetti.com

PRODUZIONE MODULI ROTANTI

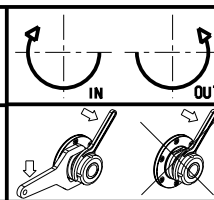
PAGINA SAU014-3-05



Cod. MT versione dx right version version rechts	Mandrino Spindle Spindel	I	RPM	Coppia Max Max Torque Max Drehmoment	Lubrificazione int. Coolant through Innenkuehlung	Lubrificazione est. Ext. coolant Aussenkuehlung	A	CHIAVI NON INCLUSE Keys not included Schluessel nicht einbegriffen	
								CHUB41	CHSTER32
205SAU_A32_40D20	ER32	2:1	2000	100Nm		X	144.46	CHUB41	CHSTER32
205SAU_A32_40D30	ER32	2:1	2000	100Nm	P=30bar		164.96	CHUB38	CHSTER32

SAUTER
VDI 40

MODULO MOTORIZZATO ASSIALE RIDOTTO I=2:1 DISASSATO 42mm VDI40 DIN 5482
 Axial geared-down I=2:1 driven tool re-directed by 42mm VDI40 DIN 5482
 Axial angetriebenes Werkzeug untersetzt I=2:1 achsversetzt um 42mm VDI40 DIN 5482



M.T. srl
 Via Casino Albini 480
 Tel. 0541/956034-957884
 Fax 0541/956341
 47842 S. GIOVANNI IN M. (RN)
 e-mail: mtma@mtmarchetti.com
 http://www.mtmarchetti.com

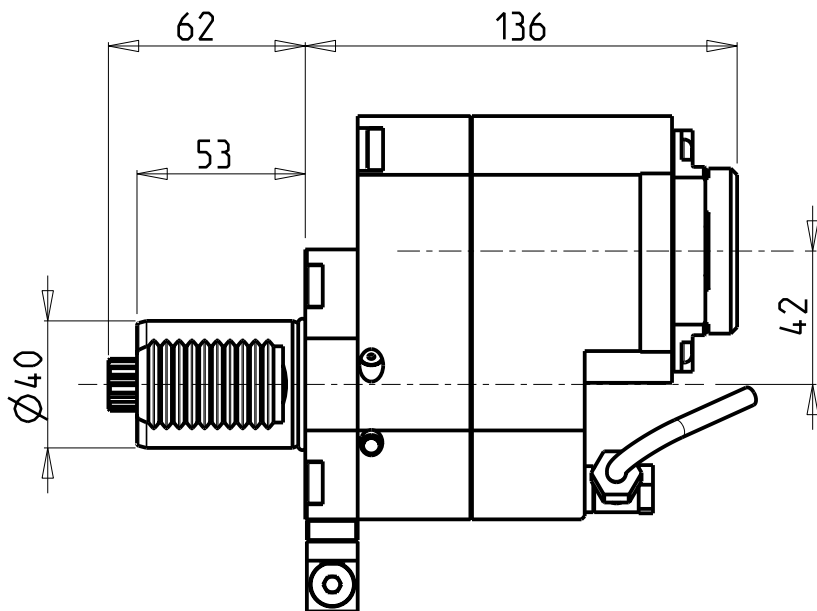
PRODUZIONE MODULI ROTANTI



PAGINA SAU014-3-30

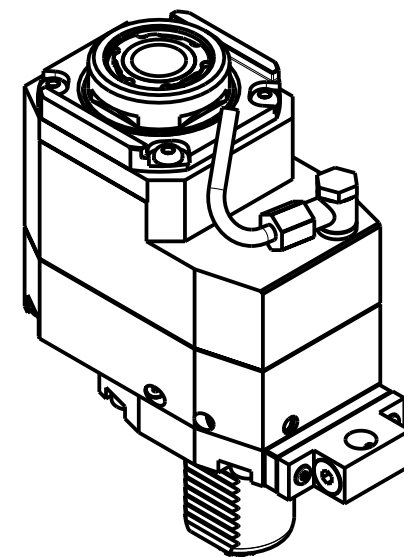
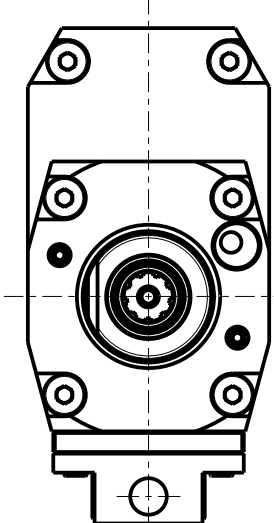
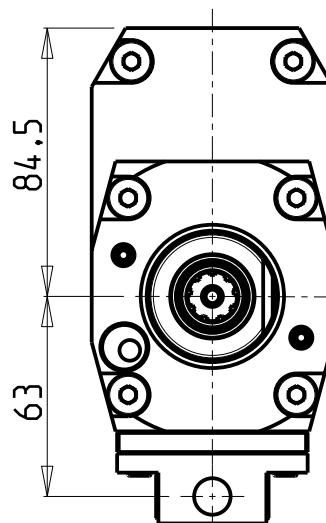
Subject to change without notice.

10/2018



versione dx
right version
version rechts

versione sx
left version
version links



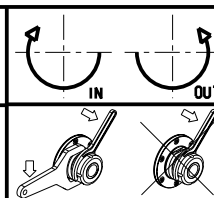
DIN 5482

Cod. MT		Mandrino Spindle Spindel	I	RPM	Coppia Max Max Torque Max Drehmoment	Lubrificazione int. Coolant through Innenkuehlung	Lubrificazione est. Ext. coolant Aussenkuehlung	CHIAVI NON INCLUSE Keys not included Schluessel nicht einbegriffen		
versione dx right version version rechts	versione sx left version version links							CHUB30	CHTAER32ZC *	OKU0650004 *
SAU0446132	SAU0447132	ERA32	1:2	8000	45Nm	-	X	CHUB30	CHTAER32ZC *	OKU0650004 *
SAU0446232	SAU0447232	ERA32	1:2	8000	45Nm	P=70bar	X	CHUB30	CHTAER32ZC *	OKU0650004 *

- Chiave inclusa
- Key included
- Schluessel inbegriffen

SAUTER
VDI 40

MODULO MOTORIZZATO ASSIALE MOLTIPLICATO I=1:2 DISASSATO 42mm VDI40
Axial geared-up I=1:2 driven tool re-directed by 42mm VDI40
Axial angetriebenes Werkzeug uebersetzt I=1:2 achsversetzt um 42mm VDI40



M.T. srl
Via Casino Albini 480
Tel. 0541/956034-957884
Fax 0541/956341
47842 S. GIOVANNI IN M. (RN)
e-mail: mtma@mtmarchetti.com
http://www.mtmarchetti.com

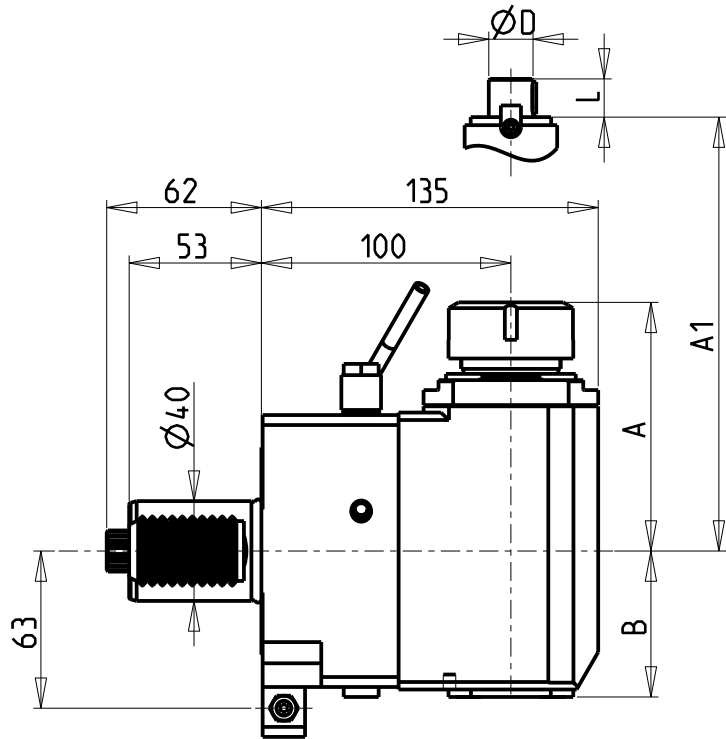
PRODUZIONE MODULI ROTANTI



PAGINA SAU014-3-60

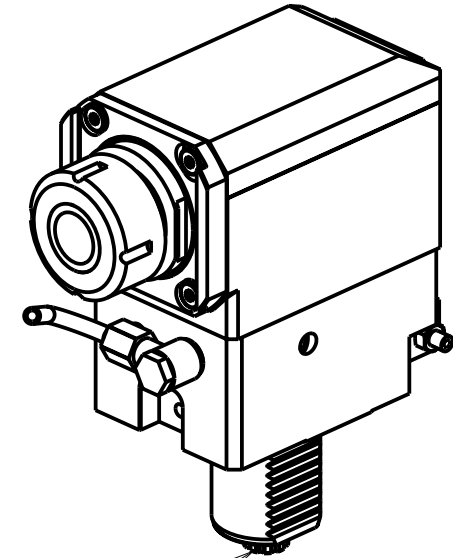
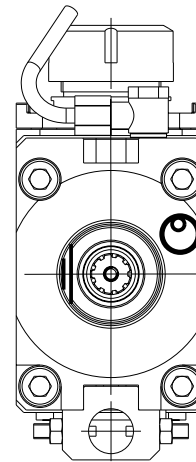
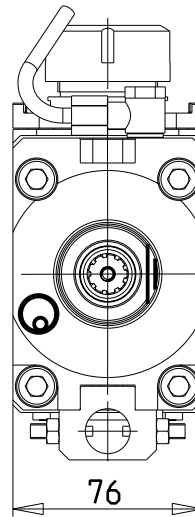
Subject to change without notice.

10/2018



versione dx
right version
version rechts

versione sx
left version
version links



DIN 5482

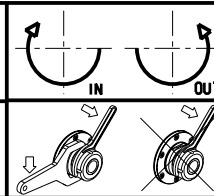
- Chiave inclusa
- Key included
- Schlüssel inbegriffen

Cod. MT		Mandrino Spindle Spindel	I	RPM	Coppia Max Max Torque Max Drehmoment	Lubrificazione int. Coolant through Innenkuehlung	Lubrificazione est. Ext. coolant Aussenkuehlung	A	A1	B	D	L	CHIAVI NON INCLUDE Keys not included Schlüssel nicht einbegriffen	
versione dx right version version rechts	versione sx left version version links													
SAU0920132	SAU0921132	ER32	1:1	4000	70Nm	-	X	99.7	-	58.5	-	-	OKU0650004	CHSTER32
SAU0920232	SAU0921232	ER32	1:1	4000	70Nm	P=70bar	X	99.7	-	69.5	-	-	OKU0650004	CHSTER32
SAU0920140	SAU0921140	ER40	1:1	4000	70Nm	-	X	103.7	-	58.5	-	-	OKU0650004	CHSTER40
SAU0920240	SAU0921240	ER40	1:1	4000	70Nm	P=70bar	X	103.7	-	69.5	-	-	OKU0650004	CHSTER40
SAU0920522	SAU0921522	Ø22x19	1:1	4000	70Nm	-	X	-	78.5	58.5	22	19	CHUB41	CH_VTCROCE_M10
SAU0920527	SAU0921527	Ø27x21	1:1	4000	70Nm	-	X	-	78.5	58.5	27	21	CHUB41	CH_VTCROCE_M12

SAUTER
VDI 40

MODULO MOTORIZZATO RADIALE VDI40 DIN 5482 H=100mm
Radial driven tool VDI40 DIN 5482 H=100mm
Radial angetriebenes Werkzeug VDI40 DIN 5482 H=100mm

Subject to change without notice.



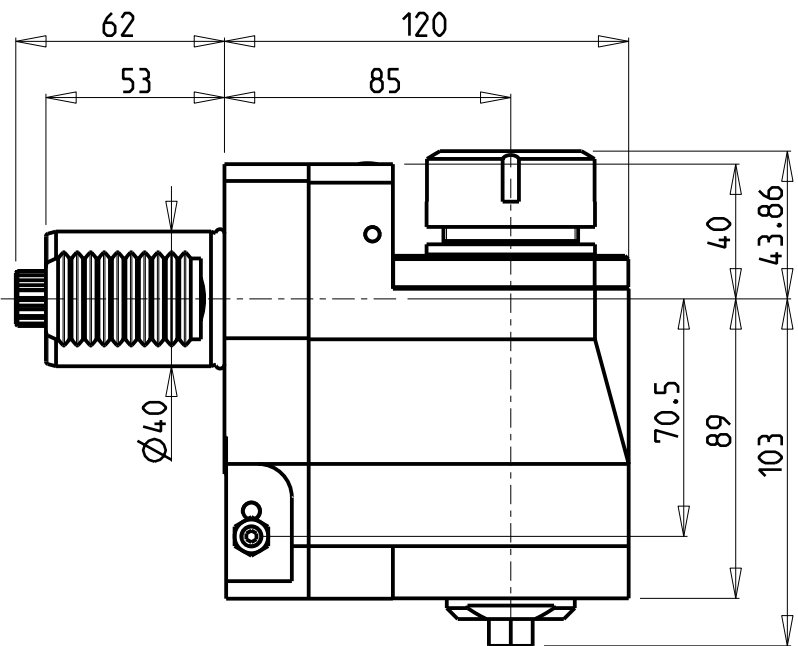
M.T. srl

Via Casino Albini 480
Tel. 0541/956034-957884
Fax 0541/956341
47842 S. GIOVANNI IN M. (RN)
e-mail: mtma@mtmarchetti.com
http://www.mtmarchetti.com

PRODUZIONE MODULI ROTANTI

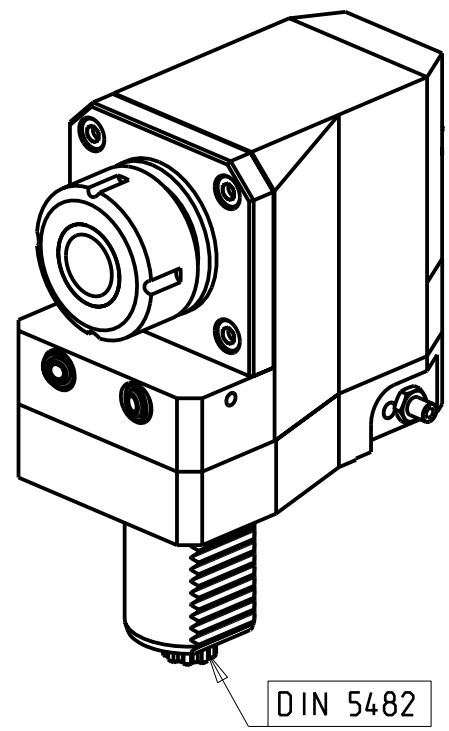
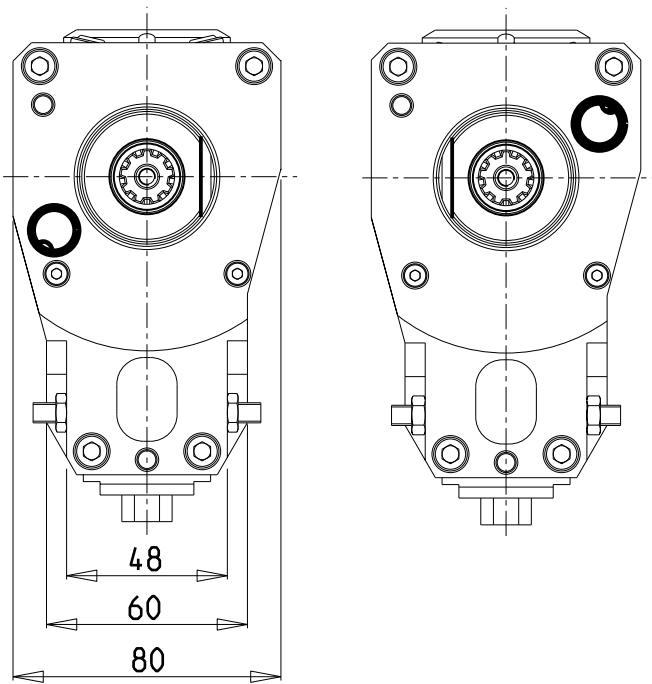


PAGINA SAU015-3-00



versione dx
right version
version rechts

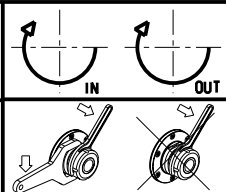
versione sx
left version
version links



Cod. MT		Mandrino Spindle Spindel	I	RPM	Coppia Max Max Torque Max Drehmoment	Lubrificazione est. Ext. coolant Aussenkuehlung	CHIAVI NON INCLUSE Keys not included Schluessel nicht einbegriffen	
versione dx right version version rechts	versione sx left version version links						CHUB13	CHSTER32
201SAU_R32_40D00	201SAU_R32_40D20	ER32	1:1	4000	70Nm	X	CHUB13	CHSTER32

SAUTER
VDI 40

MODULO MOTORIZZATO RADIALE ARRETRATO VDI40 DIN 5482 H=85mm
Radial rear-set driven tool VDI40 DIN 5482 H=85mm
Radial angetriebenes Werkzeug zurueckversetzt VDI40 DIN 5482 H=85mm



M.T. srl
Via Casino Albini 480
Tel. 0541/956034-957884
Fax 0541/956341
47842 S. GIOVANNI IN M. (RN)
e-mail: mtma@mtmarchetti.com
http://www.mtmarchetti.com

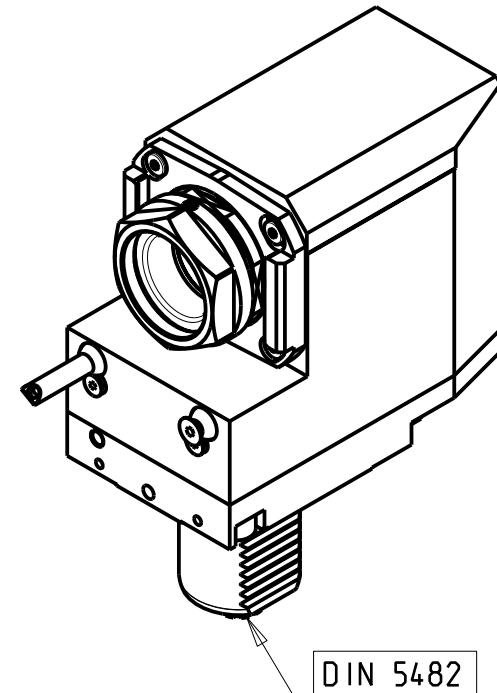
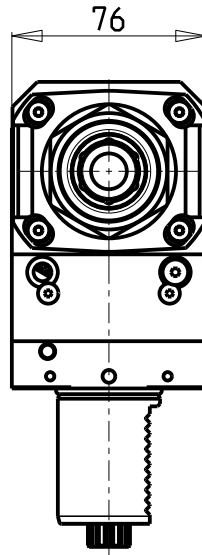
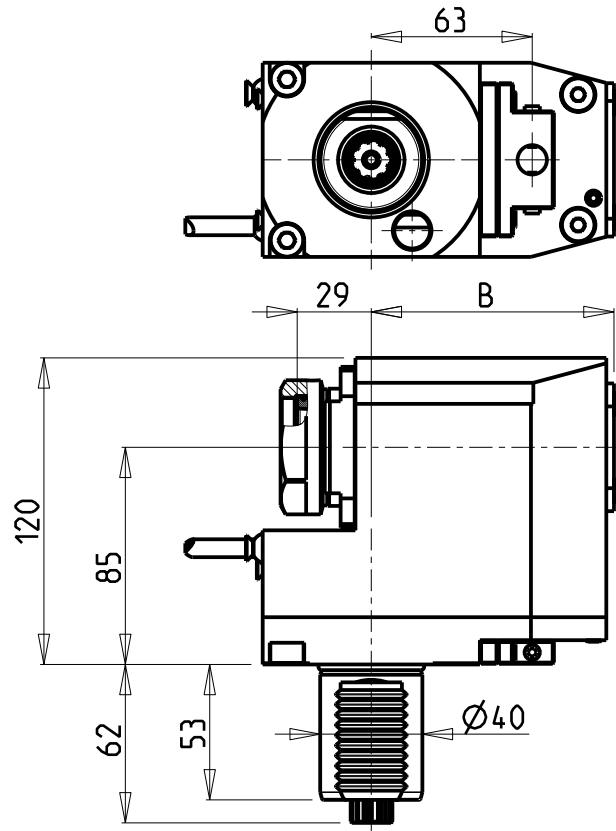
PRODUZIONE MODULI ROTANTI



PAGINA SAU015-3-60

Subject to change without notice.

10/2018



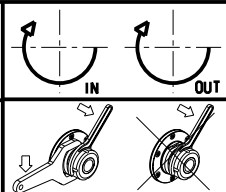
- Chiave inclusa
- Key included
- Schluessel inbegriffen

PER PORTAUTENSILI MODULARI MTSK-40 VEDI PAG. TBL300-1-40
 FOR MTSK-40 QUICK CHANGE TOOLHOLDERS CLAMPINGS SEE PAGE TBL300-1-40
 FUER MTSK-40 MODULARE WERKZEUGAUFNAHMEN SIEHE SEITE TBL300-1-40

Cod. MT	Mandrino Spindle Spindel	I	RPM	Coppia Max Max Torque Max Drehmoment	Lubrificazione int. Coolant through Innenkuehlung	Lubrificazione est. Ext. coolant Aussenkuehlung	B	CHIAVI NON INCLUDE Keys not included Schluessel nicht einbegriffen	
SAU0810140	MTSK-40	1:1	4000	70Nm	-	X	95	CHUB46	MNZ0410005 *
SAU0810240	MTSK-40	1:1	4000	70Nm	P=30bar	X	108.5	CHUB46	MNZ0410005 *

SAUTER
VDI 40

MODULO MOTORIZZATO RADIALE ARRETRATO MTSK VDI40 DIN 5482 H=85mm
 Radial MTSK rear-set driven tool VDI40 DIN 5482 H=85mm
 Radial MTSK angetriebenes Werkzeug zurueckversetzt VDI40 DIN 5482 H=85mm



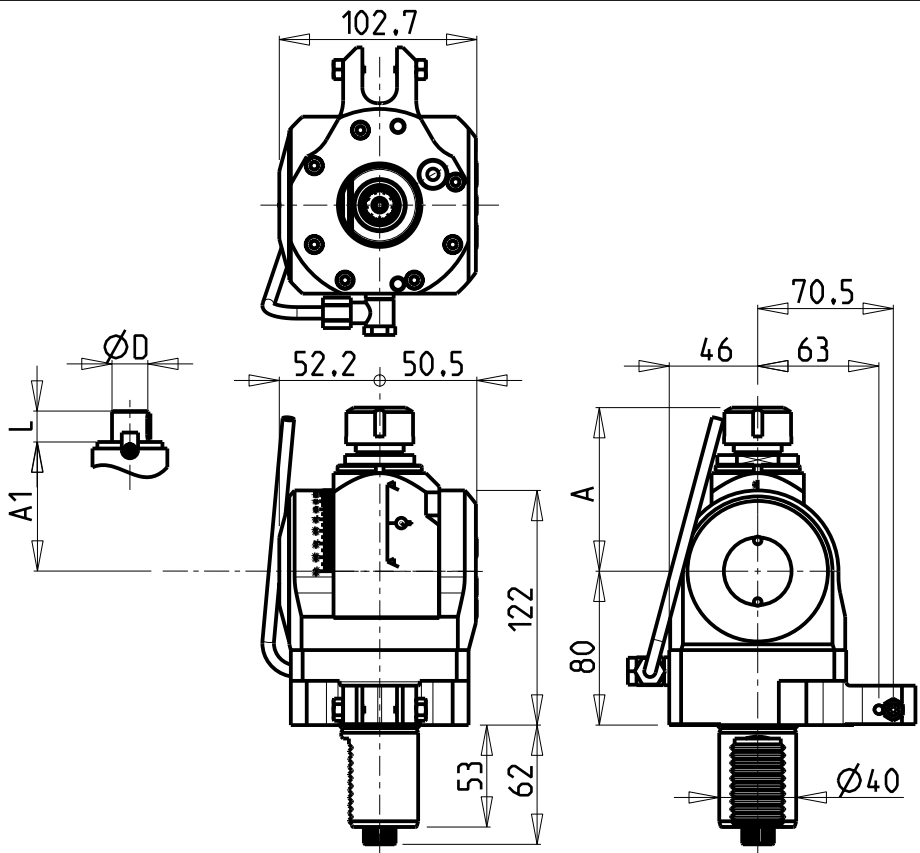
M.T. srl
 Via Casino Albini 480
 Tel. 0541/956034-957884
 Fax 0541/956341
 47842 S. GIOVANNI IN M. (RN)
 e-mail: mtma@mtmarchetti.com
 http://www.mtmarchetti.com

PRODUZIONE MODULI ROTANTI



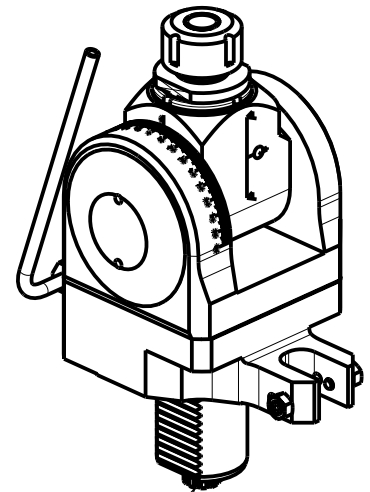
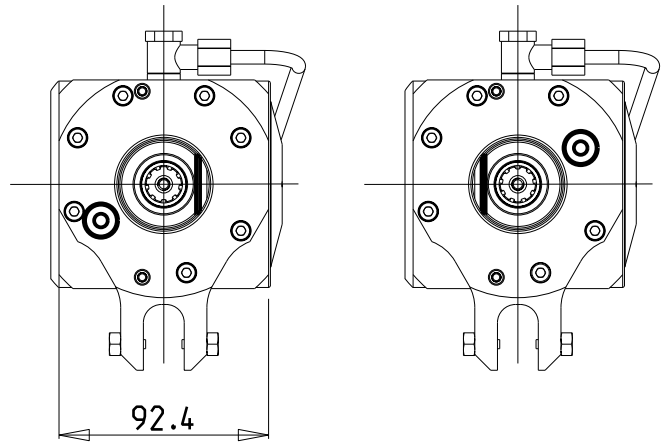
PAGINA SAU015-3-60-K

Subject to change without notice.



versione dx
right version
version rechts

versione sx
left version
version links



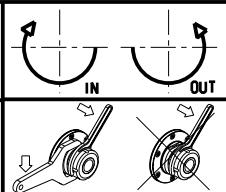
DIN 5482

Cod. MT		Mandrino Spindle Spindel	I	RPM	Coppia Max Max Torque Max Drehmoment	Lubrificazione est. Ext. coolant Aussehenkuehlung	A	A1	D	L	CHIAVI INCLUDE Keys included Schlüssel einbegriffen	
versione dx right version version rechts	versione sx left version version links										CHUB36	CHSTER
SAU0850120	SAU0851120	ER20	1:1	4000	40Nm	X	85.16	-	-	-	CHUB36	CHSTER20
SAU0850125	SAU0851125	ER25	1:1	4000	40Nm	X	86.16	-	-	-	CHUB36	CHSTER25
SAU0850516	SAU0851516	Ø16x17	1:1	4000	40Nm	X	-	65	16	17	CHUB36	CH_VTCROCE_M08
SAU0850522	SAU0851522	Ø22x19	1:1	4000	40Nm	X	-	66	22	19	CHUB36	CH_VTCROCE_M10
SAU0850519	SAU0851519	Ø3/4"x3/4"	1:1	4000	40Nm	X	-	65	3/4"	3/4"	CHUB36	CH_VTCROCE_M08

SAUTER
VDI 40

MODULO MOTORIZZATO ORIENTABILE ±90° VDI40 DIN 5482
±90° adjustable angle driven tool VDI40 DIN 5482
Angetriebenes Werkzeug schwenkbar ±90° VDI40 DIN 5482

Subject to change without notice.



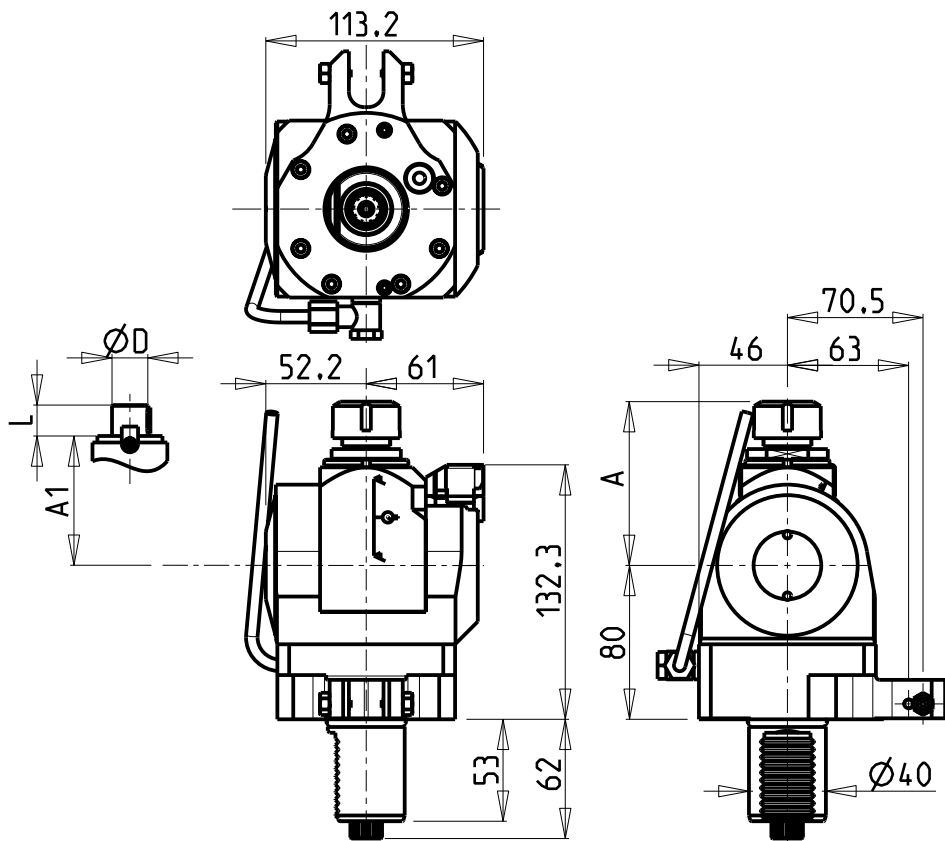
M.T. srl

Via Casino Albini 480
Tel. 0541/956034-957884
Fax 0541/956341
47842 S. GIOVANNI IN M. (RN)
e-mail: mtma@mtmarchetti.com
http://www.mtmarchetti.com

PRODUZIONE MODULI ROTANTI

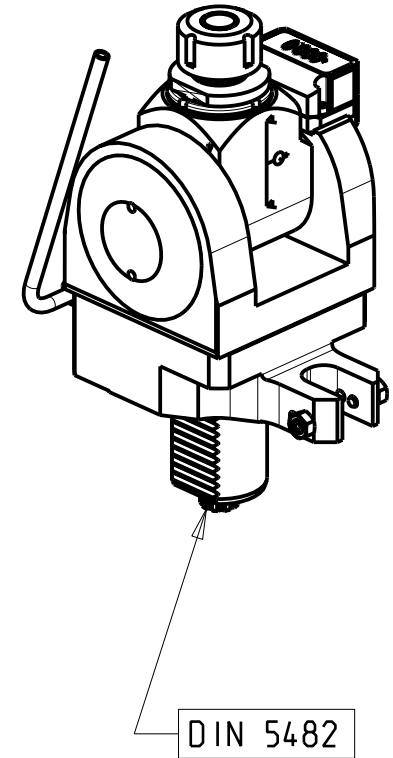
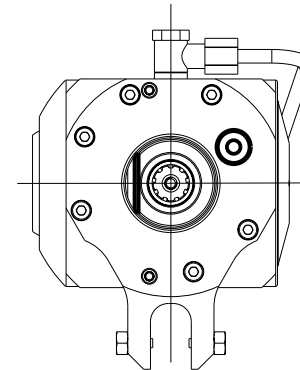
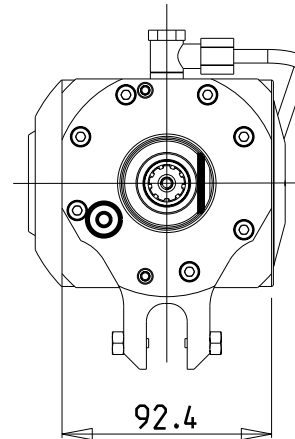


PAGINA SAU016-3-60



versione dx
right version
version rechts

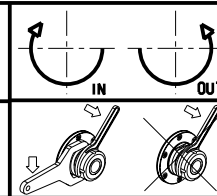
versione sx
left version
version links



Cod. MT		Mandrino Spindle Spindel	I	RPM	Coppia Max Max Torque Max Drehmoment	Lubrificazione est. Ext. coolant Aussehenkuehlung	A	A1	D	L	CHIAVI INCLUDE Keys included Schlüssel einbegriffen	
versione dx right version version rechts	versione sx left version version links										CHUB36	CHSTER
SAU0770120	SAU0771120	ER20	1:1	4000	40Nm	X	85.16	-	-	-	CHUB36	CHSTER20
SAU0770125	SAU0771125	ER25	1:1	4000	40Nm	X	86.16	-	-	-	CHUB36	CHSTER25
SAU0770516	SAU0771516	Ø16x17	1:1	4000	40Nm	X	-	65	16	17	CHUB36	CH_VTCROCE_M08
SAU0770522	SAU0771522	Ø22x19	1:1	4000	40Nm	X	-	66	22	19	CHUB36	CH_VTCROCE_M10
SAU0770519	SAU0771519	Ø3/4"x3/4"	1:1	4000	40Nm	X	-	65	3/4"	3/4"	CHUB36	CH_VTCROCE_M08

SAUTER
VDI 40

MODULO MOTORIZZATO ORIENTABILE ±90° CON NONIO DIGITALE VDI40 DIN 5482
±90° adjustable angle driven tool with digital display VDI40 DIN 5482
Angetriebenes Werkzeug schwenkbar ±90° mit digital display VDI40 DIN 5482



M.T. srl

Via Casino Albini 480
Tel. 0541/956034-957884
Fax 0541/956341
47842 S. GIOVANNI IN M. (RN)
e-mail: mtma@mtmarchetti.com
http://www.mtmarchetti.com

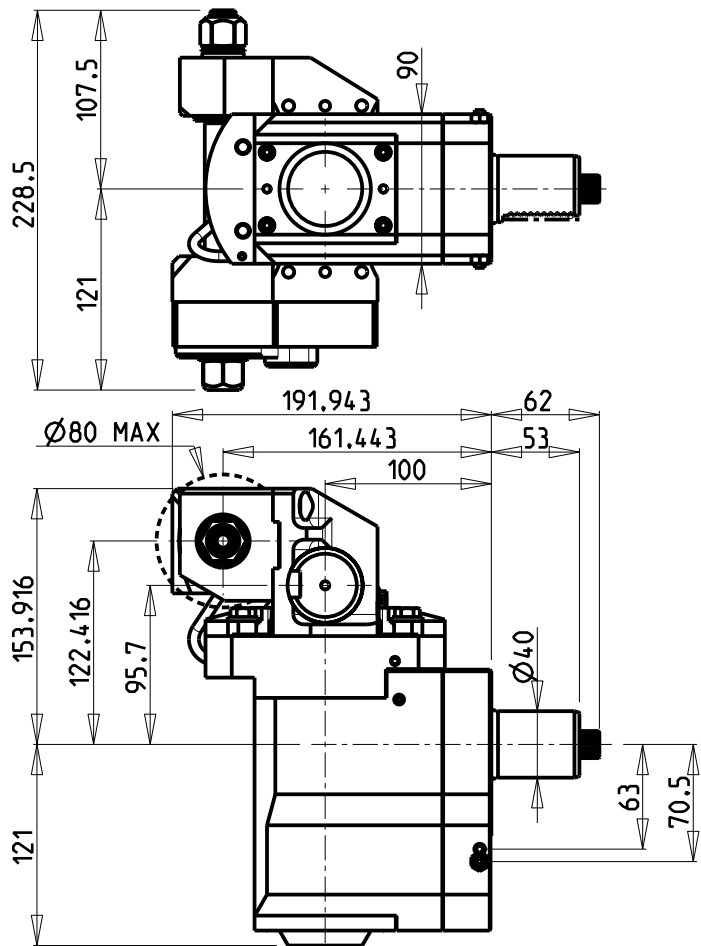
PRODUZIONE MODULI ROTANTI



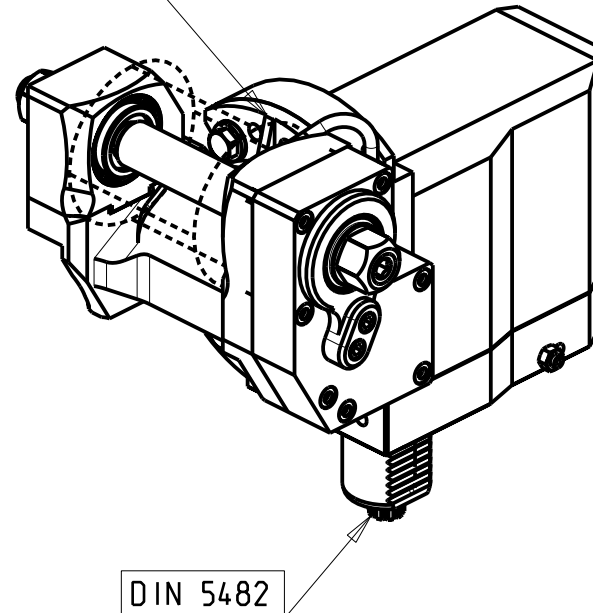
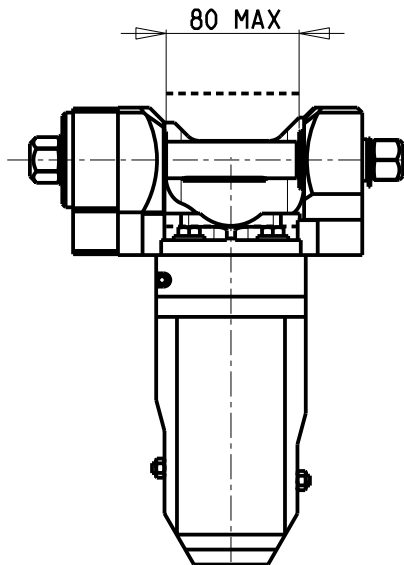
PAGINA SAU016-3-61

Subject to change without notice.

10/2018

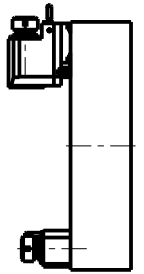


INCLINAZIONE
REGOLABILE $\pm 20^\circ$



PER ALBERI E DISTANZIALI VEDI PAG. TBL250-1-00
FOR SHAFT END SPACER SEE PAGE TBL250-1-00
FUER DORN UND ABSTANDSSTUECK SEITE TBL250-1-00

TORRETTE ASSIALI
AXIAL TURRETS
AXIAL REVOLVER



Cod. MT versione dx right version version rechts	I	RPM	Coppia Max Max Torque Max Drehmoment	Lubrificazione est. Ext. coolant Aussenkuehlung	D (mm)	D (Inch)	CHIAVI INCLUSE Keys included Schlüssel einbegriffen		
							C HUB24	C HUB13	C HESL08
SAU0331100	1:1	6000	60Nm	X	16-22-27-32	3/4"-1"-1 1/4"	C HUB24	C HUB13	C HESL08
SAU0332100	2:1	3000	80Nm	X	16-22-27-32	3/4"-1"-1 1/4"	C HUB24	C HUB13	C HESL08

DOTAZIONI - SUPPLIED WITH - AUSSTATTUNG

mm / inch	
	- N°1 ALBERO + DISTANZIALI
	- N°1 SHAFT + SPACER
	- N°1 DORN + ABSTANDSSTUECK

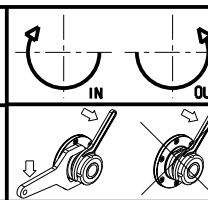
SAUTER
VDI 40

MODULO MOTORIZZATO PORTACREATORE VDI40 DIN 5482

Driven gear hobber VDI40 DIN 5482

Angetriebenes Zahnradwaeltzraes-Werkzeug VDI40 DIN 5482

Subject to change without notice.



M.T. srl

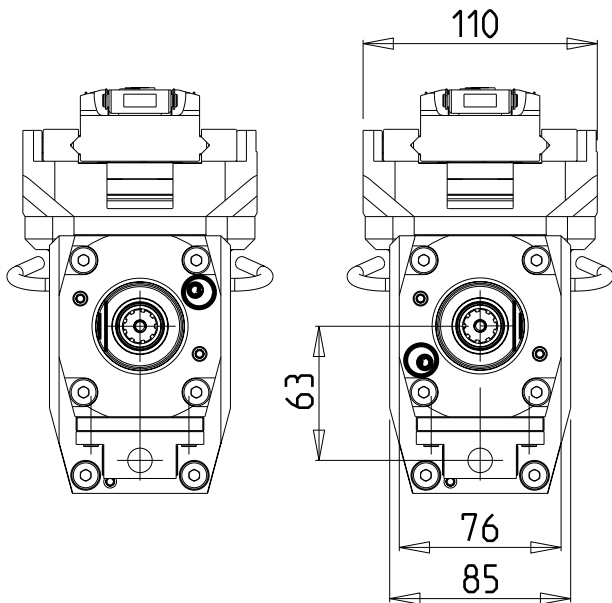
Via Casino Albini 480
Tel. 0541/956034-957884
Fax 0541/956341
47842 S. GIOVANNI IN M. (RN)
e-mail: mtma@mtmarchetti.com
http://www.mtmarchetti.com

PRODUZIONE MODULI ROTANTI

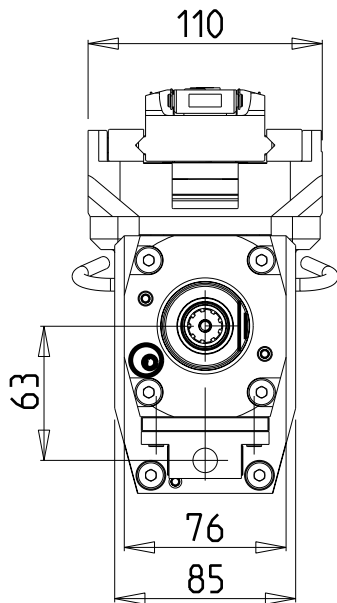


PAGINA SAU340-3-10

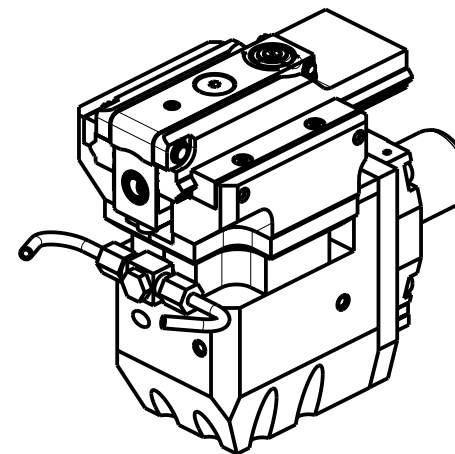
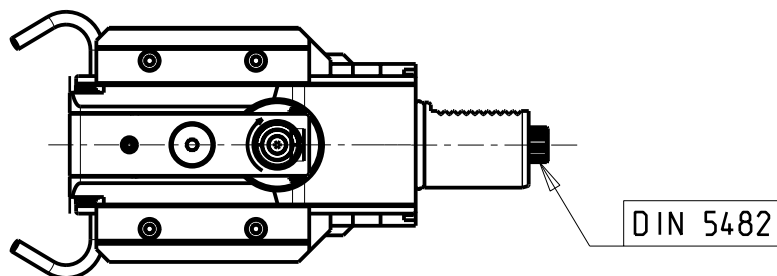
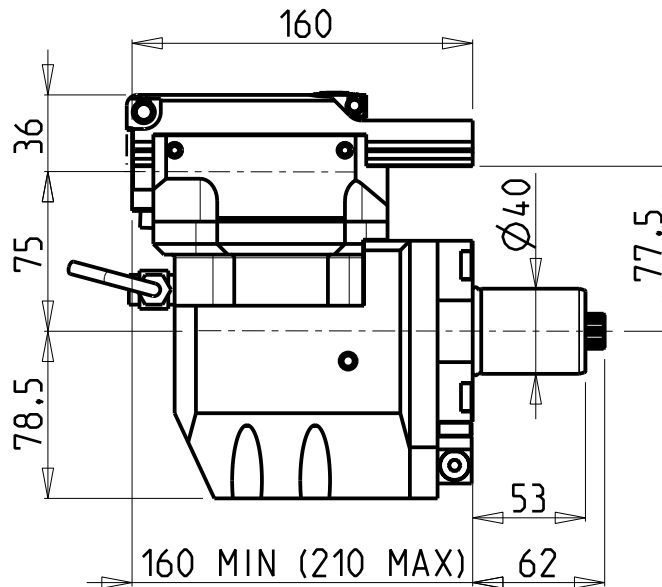
10/2018



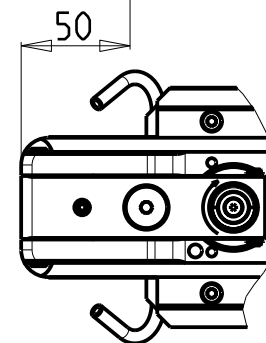
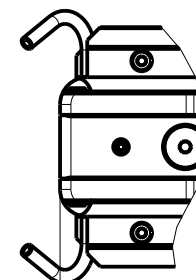
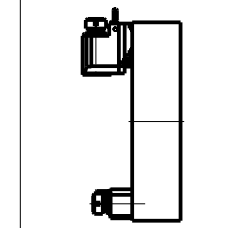
versione sx
left version
version links



versione dx
right version
version rechts



**TORRETTE ASSIALI
AXIAL TURRETS
AXIAL REVOLVER**



PER UTENSILI STOZZATORI VEDI PAG. TBL400-1-00
FOR DRIVEN SLOTTING TOOL CUTTING-TOOLS SEE PAGE TBL400-1-00
FÜR NUTENSTOSS-WERKZEUG SCHNEIDWERKZEUGE SIEHE SEITE TBL400-1-00

Cod. MT		I	RPM	Lubr. esterna Ext. coolant Aussenkuehlung
versione dx right version version rechts	versione sx left version version links			
SAU0740100	SAU0741100	4:1	2000	X

SAUTER
VDI 40

MODULO MOTORIZZATO STOZZATORE CORSA 50mm VDI40 DIN 5482
Slotting driven tool 50mm stroke VDI40 DIN 5482
Keilnutenstossmaschine 50mm Hub VDI40 DIN 5482

M.T. srl

Via Casino Albini 480
Tel. 0541/956034-957884
Fax 0541/956341
47842 S. GIOVANNI IN M. (RN)
e-mail: mtma@mtmarchetti.com
http://www.mtmarchetti.com

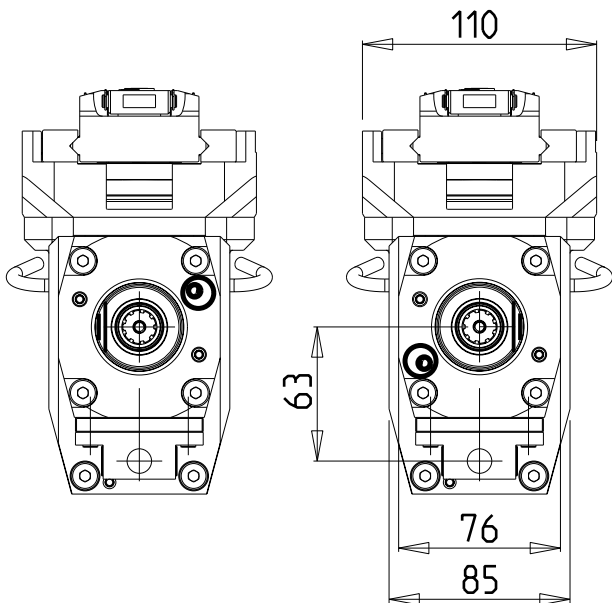
PRODUZIONE MODULI ROTANTI



PAGINA SAU360-3-80

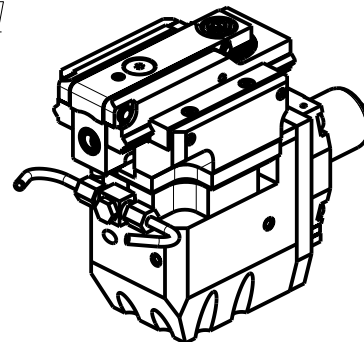
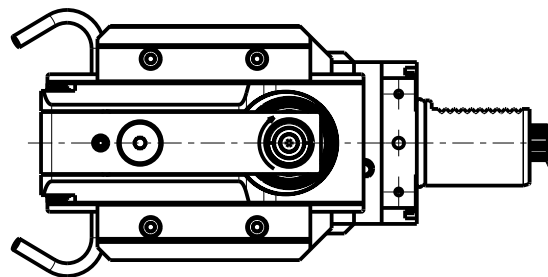
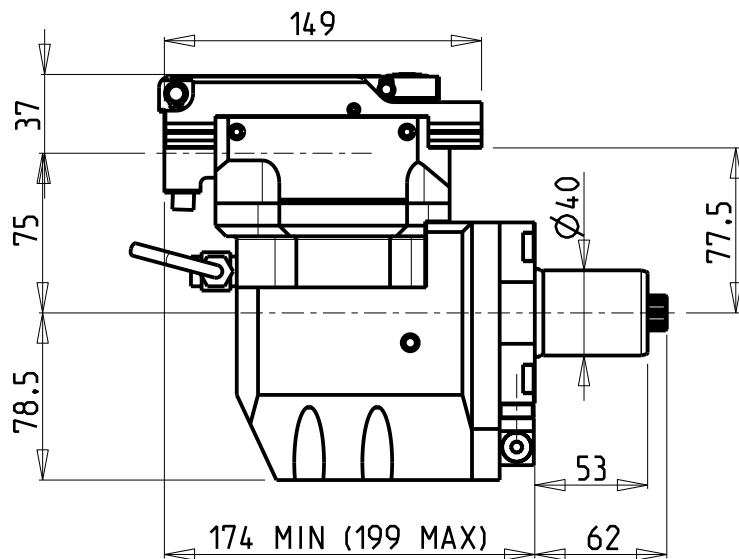
Subject to change without notice.

10/2018

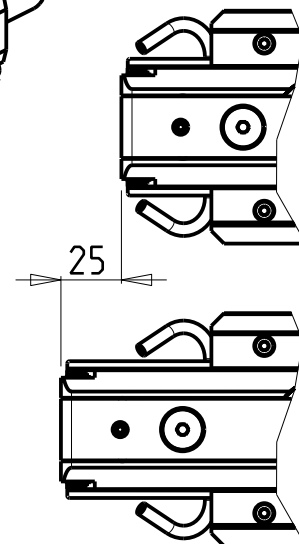
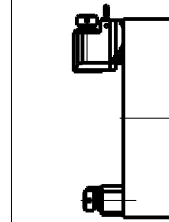


versione sx
left version
version links

versione dx
right version
version rechts



**TORRETTE ASSIALI
AXIAL TURRETS
AXIAL REVOLVER**



PER UTENSILI STOZZATORI VEDI PAG. TBL400-1-00
FOR DRIVEN SLOTTING TOOL CUTTING-TOOLS SEE PAGE TBL400-1-00
FÜR NUTENSTOSS-WERKZEUG SCHNEIDWERKZEUGE SIEHE SEITE TBL400-1-00

Cod. MT		I	RPM	Lubr. esterna Ext. coolant Aussenkuehlung
versione dx right version version rechts	versione sx left version version links			
SAU0740200	SAU0741200	4:1	2400	X

SAUTER
VDI 40

MODULO MOTORIZZATO STOZZATORE CORSA 25mm VDI40 DIN 5482
Slotting driven tool 25mm stroke VDI40 DIN 5482
Keilnutenstossmaschine 25mm Hub VDI40 DIN 5482

M.T. srl

Via Casino Albini 480
Tel. 0541/956034-957884
Fax 0541/956341
47842 S. GIOVANNI IN M. (RN)
e-mail: mtma@mtmarchetti.com
http://www.mtmarchetti.com

PRODUZIONE MODULI ROTANTI



PAGINA SAU360-3-81

Subject to change without notice.

10/2018

