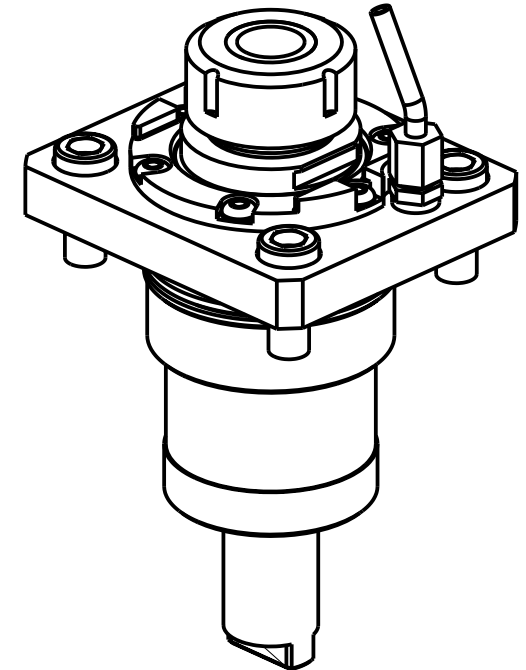
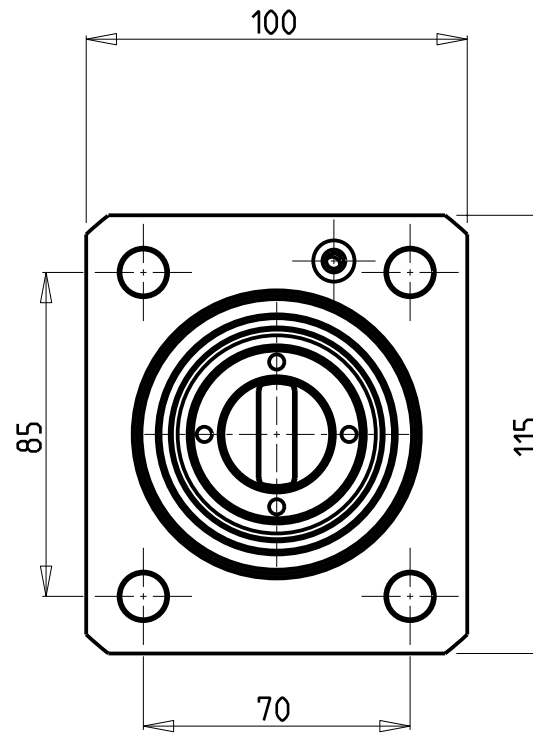
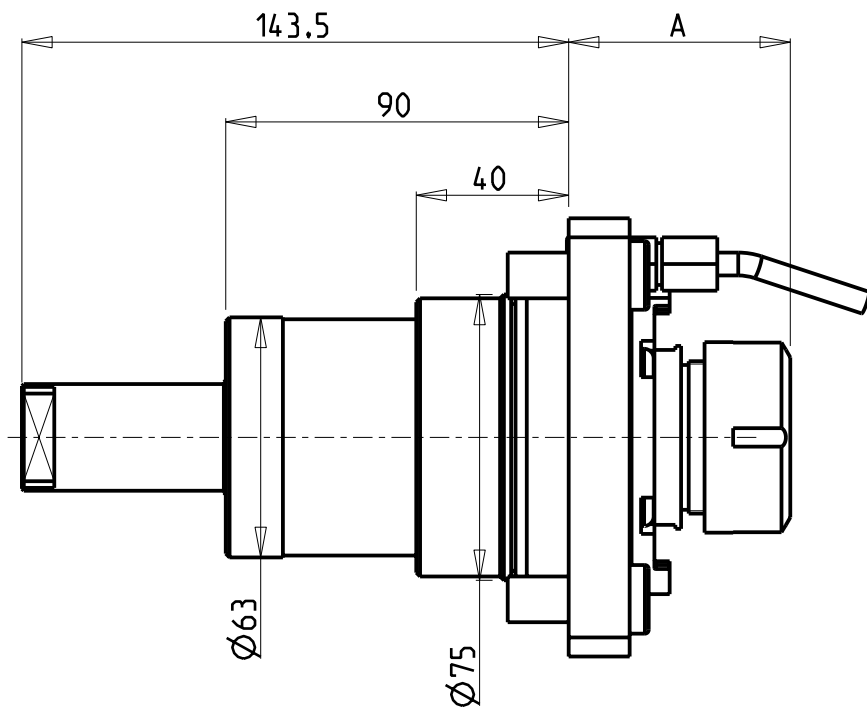


		PAGINA Page Seite
<p>MODULO MOTORIZZATO RADIALE Radial driven tool Radial angetriebenes Werkzeug</p>		<p>NKM010.5.00 NEW</p>
<p>MODULO MOTORIZZATO ASSIALE H=90mm Axial driven tool H=90mm Axial angetriebenes Werkzeug H=90mm</p>		<p>NKM150.5.10 NEW</p>
<p>PORTAUTENSILE RADIALE SINGOLO QD=25mm Radial single static tool QD=25mm Radial Single-Werkzeughalter QD=25mm</p>		<p>NKM423.5.00 NEW</p>
<p>PORTAUTENSILE ASSIALE PER BARENO Ø 32mm H=105mm Axial single boring bar holder Ø32mm H=105mm Axial Bohrhalter Ø32mm H=105mm</p>		<p>NKM650.5.10 NEW</p>



- Chiave inclusa
- Key included
- Schlüssel inbegriffen

Cod. MT	Mandrino Spindle Spindel	I	RPM	Coppia Max Max Torque Max Drehmoment	Lubrificazione est. Ext. coolant Ausseukuehlung	A	CHIAVI NON INCLUSE Keys not included Schluessel nicht einbegriffen	
NKM1590132	ER32	1:1	4000	80Nm	X	58.2	CHSTER32	OKU0650004 • NEW
NKM1590140	ER40	1:1	4000	80Nm	X	69.7	CHSTER40	OKU0650004 • NEW

NAKAMURA-TOME

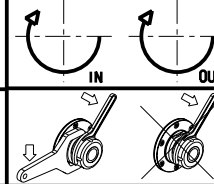
MOD: SC-450 - STS-40 - STW-40 - TW30 12ST.

MODULO MOTORIZZATO RADIALE

Radial driven tool

Radial angetriebenes Werkzeug

Subject to change without notice.



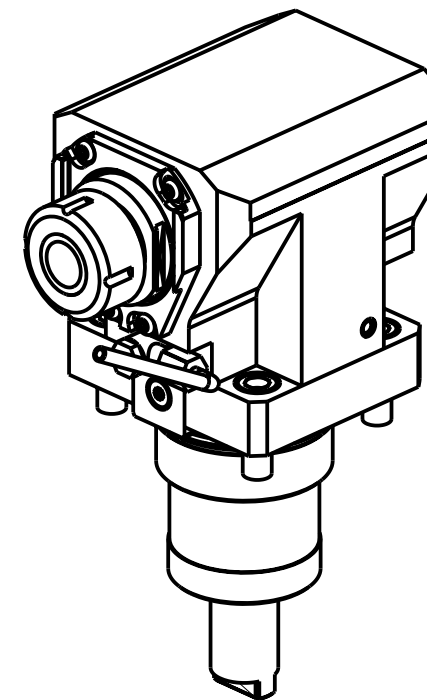
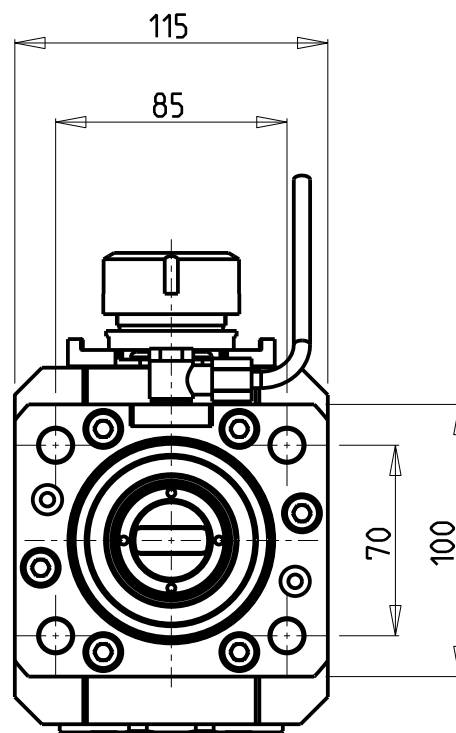
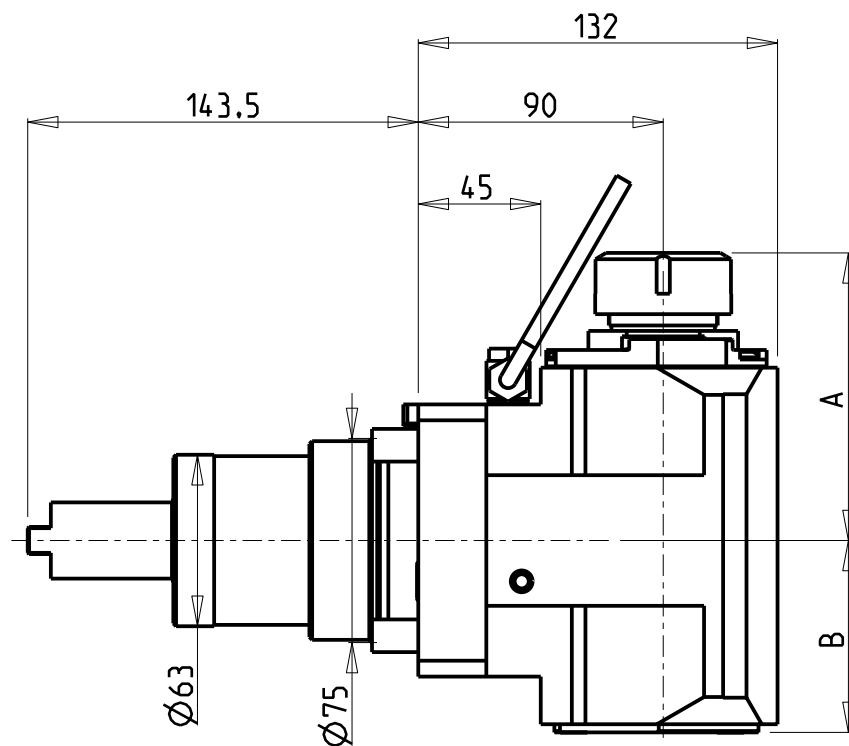
M.T. srl

Via Casino Albini 480
Tel. 0541/956034-957884
Fax 0541/956341
47842 S. GIOVANNI IN M. (RN)
e-mail: mtma@mtmarchetti.com
http://www.mtmarchetti.com

PRODUZIONE MODULI ROTANTI



PAGINA NKM010-5-00



- Chiave inclusa
- Key included
- Schluessel inbegriffen

Cod. MT	Mandrino Spindel Spindel	I	RPM	Coppia Max Max Torque Max Drehmoment	Reversibile lato mandrino/contromandrino Reversible sub/main spindle side Umkehrbare Spindel-seite/ Gegenspindel-seite	Lubr.interna Coolant through Innenkuehlung	Lubr. esterna Ext. coolant Aussenkuehlung	A	B	CHIAVI NON INCLUSE Keys not included Schluessel nicht einbegriffen	
NKM1570132	ER32	1:1	4000	60Nm	X	-	X	105.7	70.5	CHSTER32	OKU0650004
NKM1570140	ER40	1:1	4000	60Nm	X	-	X	108.7	70.5	CHSTER40	OKU0650004
NKM1570232	ER32	1:1	4000	60Nm	X	P=70bar	X	105.7	81.5	CHSTER32	OKU0650004
NKM1570240	ER40	1:1	4000	60Nm	X	P=70bar	X	108.7	81.5	CHSTER40	OKU0650004

NEW
NEW
NEW
NEW

NAKAMURA-TOME

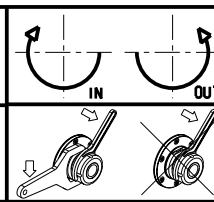
MOD: SC-450 - STS-40 - STW-40 - TW30 12ST.

MODULO MOTORIZZATO ASSIALE H=90mm

Axial driven tool H=90mm

Axial angetriebenes Werkzeug H=90mm

Subject to change without notice.



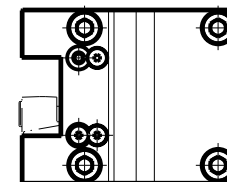
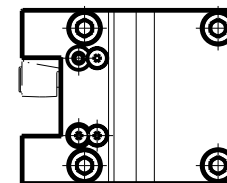
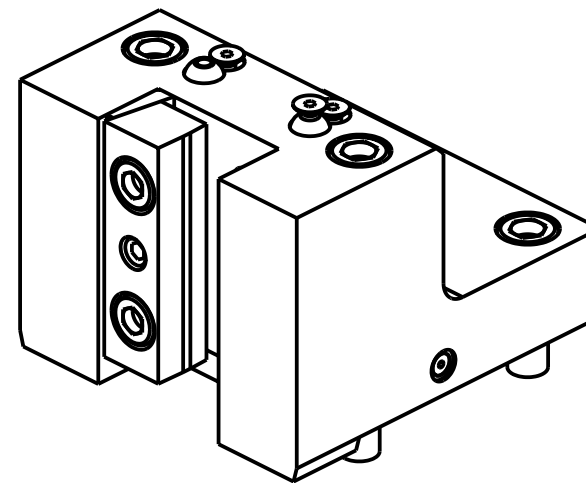
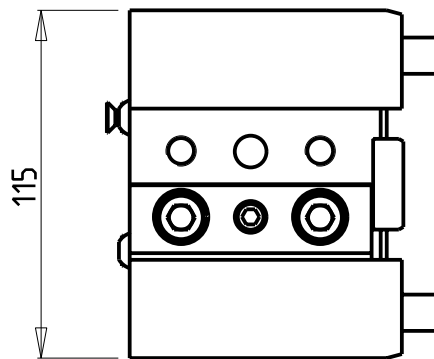
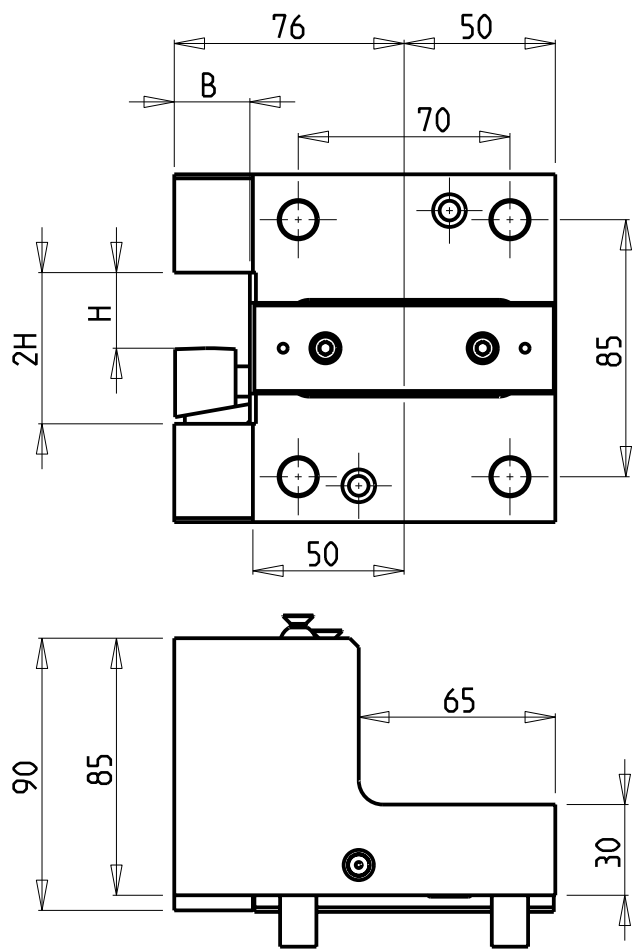
M.T. srl

Via Casino Albini 480
Tel. 0541/956034-957884
Fax 0541/956341
47842 S. GIOVANNI IN M. (RN)
e-mail: mtma@mtmarchetti.com
http://www.mtmarchetti.com

PRODUZIONE MODULI ROTANTI



PAGINA NKM150-5-10



Cod. MT	N°Utensili N° Tools N° Werkzeuge	Reversibile lato mandrino/contromandrino Reversible sub/main spindle side Umkehrbare Spindelseite/ Gegenspindelseite	Misure Dimensions Masse	B	H	
NKM1602500	1	X	mm	25	25	NEW

NAKAMURA-TOME

MOD: SC-450 - STS-40 - STW-40 - TW30 12ST.

PORTAUTENSILE RADIALE SINGOLO QD=25mm

Radial single static tool QD=25mm

Radial Single-Werkzeughalter QD=25mm

Subject to change without notice.

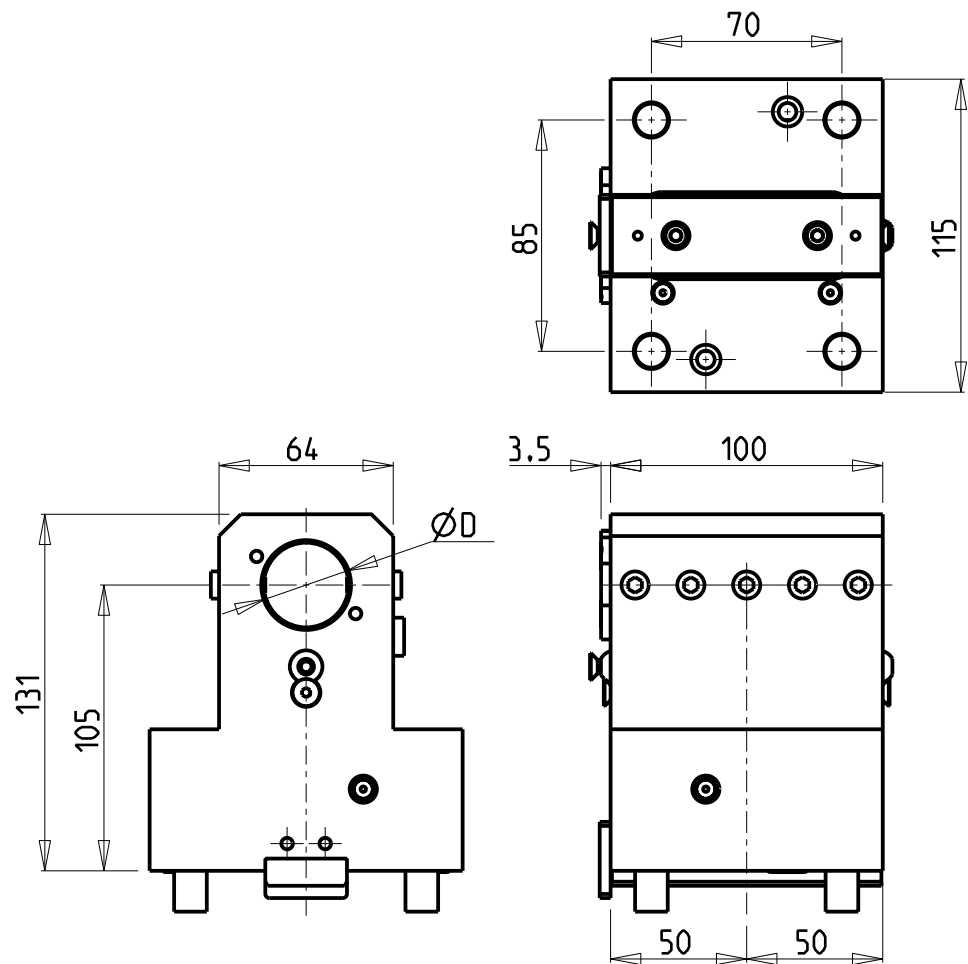
M.T. srl

Via Casino Albini 480
Tel. 0541/956034-957884
Fax 0541/956341
47842 S. GIOVANNI IN M. (RN)
e-mail: mtma@mtmarchetti.com
http://www.mtmarchetti.com

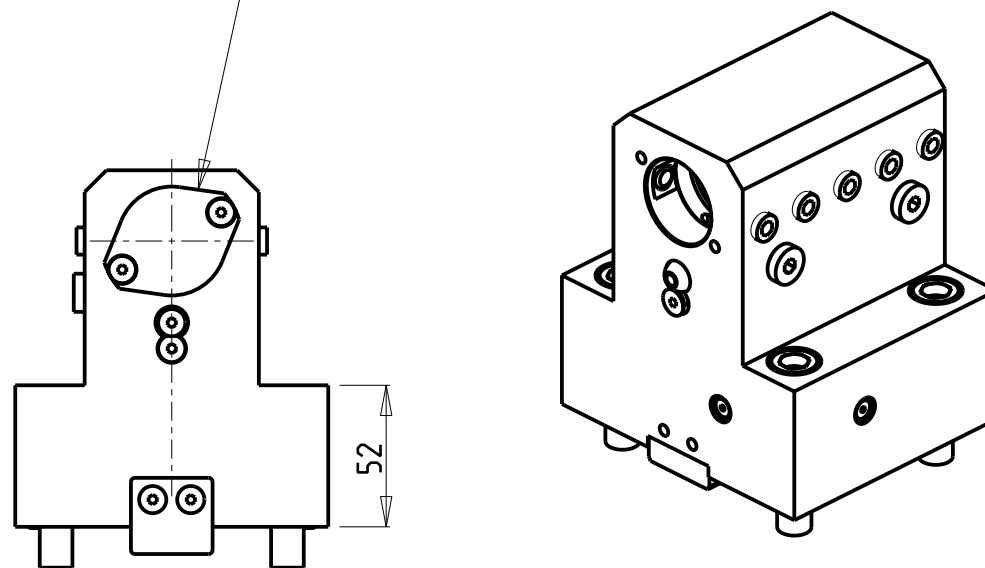
PRODUZIONE MODULI ROTANTI



PAGINA NKM423-5-00



KIT ADDUZIONE INTERNA (OPZIONALE)
 KIT FOR INTERNAL COOLANT (OPTIONAL)
 KIT FÜR INTERNE KUEHLMITTELZUFUHR (OPTIONAL)
 Ø32 cod. KIT1000001



PER BOCCOLE DI RIDUZIONE VEDI PAG. TBL150-1-00
 FOR REDUCING BUSHINGS SEE PAGE TBL150-1-00
 FÜR REDUZIERBUCHSE SIEHE SEITE TBL150-1-00

Cod. MT	N°Utensili N°Tools N°Werkzeuge	Reversibile lato mandrino/contromandrino Reversible sub/main spindle side Umkehrbare Spindel-seite/ Gegenspindel-seite	Lubrificazione int. opzionale Coolant through optional Innenkuehlung Optional	Lubrificazione est. Ext. coolant Aussenkuehlung	D
NKM1613200	1	X	X	X	32

NEW

NAKAMURA-TOME

MOD: SC-450 - STS-40 - STW-40 - TW30 12ST.

PORTAUTENSILE ASSIALE PER BARENO Ø32mm H=105mm

Axial single boring bar holder Ø32mm H=105mm

Axial Bohrhälter Ø32mm H=105mm

Subject to change without notice.

M.T. srl

Via Casino Albini 480
 Tel. 0541/956034-957884
 Fax 0541/956341
 47842 S. GIOVANNI IN M. (RN)
 e-mail: mtma@mtmarchetti.com
 http://www.mtmarchetti.com

PRODUZIONE MODULI ROTANTI



PAGINA NKM650-5-10