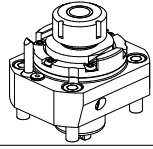
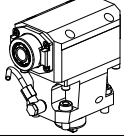
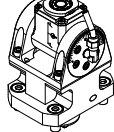
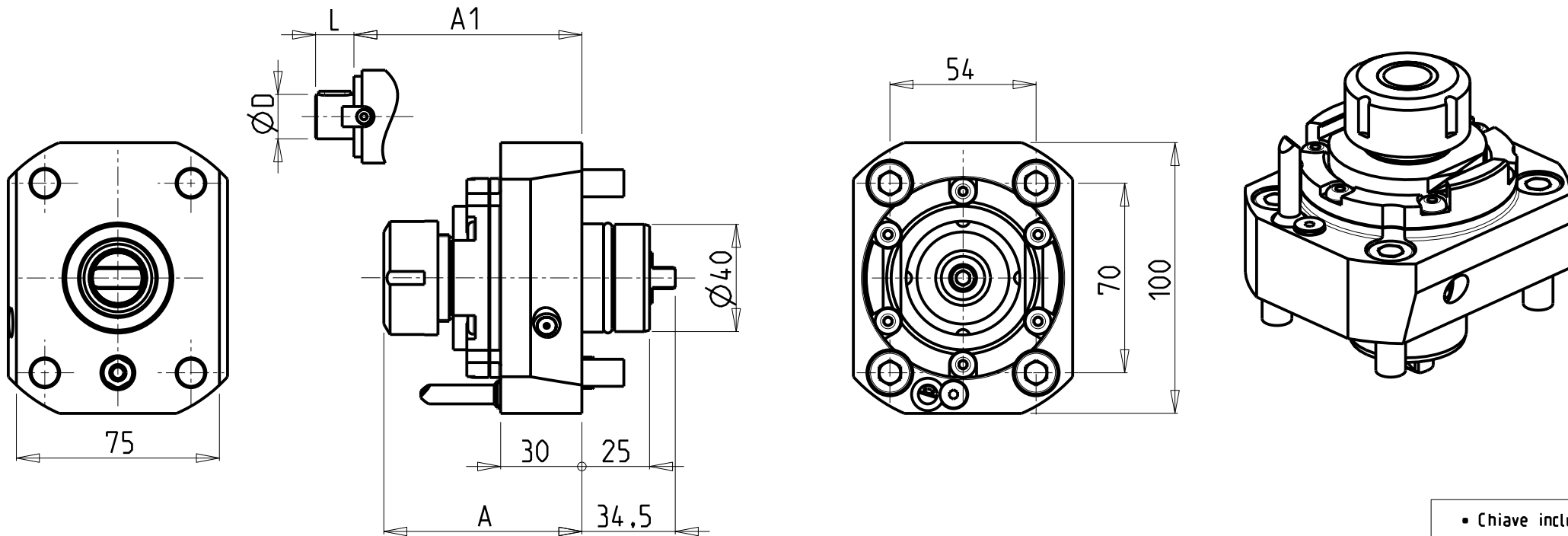


		PAGINA Page Seite
<p>MODULO MOTORIZZATO RADIALE Radial driven tool Radial angetriebenes Werkzeug</p>		<p>MUR010.2.00</p>
<p>MODULO MOTORIZZATO ASSIALE MOLTIPLICATO I=1:2 H=100mm Axial gear-up I=1:2 driven tool H=100mm Axial angetriebenes Werkzeug uebersetzt I=1:2 H=100mm</p>		<p>MUR200.2.10</p> <p>NEW</p>
<p>MODULO MOTORIZZATO ORIENTABILE ±90° H=74mm ±90° adjustable angle driven tool H=74mm Angetriebenes Werkzeug schwenkbar ±90° H=74mm</p>		<p>MUR335.2.00</p>



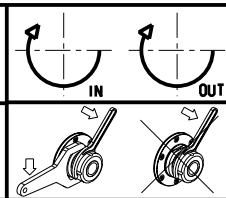
- Chiave inclusa
- Key included
- Schlüssel inbegriffen

Cod. MT	Mandrino Spindle Spindel	I	RPM	Coppia Max Max Torque Max Drehmoment	Lubrificazione int. Coolant through Innenkuehlung	Lubrificazione est. Ext. coolant Aussenkuehlung	A	A1	D	L	CHIAVI NON INCLUSE Keys not included Schlüssel nicht einbegriffen	
MUR0040125	ER25	1:1	6000	40Nm	-	X	73.16	-	-	-	MNZ04.10005 ▪	CHSTER25
MUR0040325	ERA25	1:1	6000	40Nm	-	X	59.5	-	-	-	MNZ04.10005 ▪	CHUB27
MUR0040132	ER32	1:1	6000	40Nm	-	X	76.16	-	-	-	MNZ04.10005 ▪	CHSTER32
MUR0040225	ER25	1:1	6000	40Nm	P=30bar	X	88.16	-	-	-	MNZ04.10005 ▪	CHSTER25
MUR0040425	ERA25	1:1	6000	40Nm	P=30bar	X	74.5	-	-	-	MNZ04.10005 ▪	CHUB27
MUR0040232	ER32	1:1	6000	40Nm	P=30bar	X	91.16	-	-	-	MNZ04.10005 ▪	CHSTER32
MUR0040516	Ø16x17	1:1	6000	40Nm	-	X	-	54.5	16	17	MNZ04.10005 ▪	CH_VTCROCE_M08 ▪

MURATEC
MOD: MD60 - MD120

MODULO MOTORIZZATO RADIALE
Radial driven tool
Radial angetriebenes Werkzeug

Subject to change without notice.

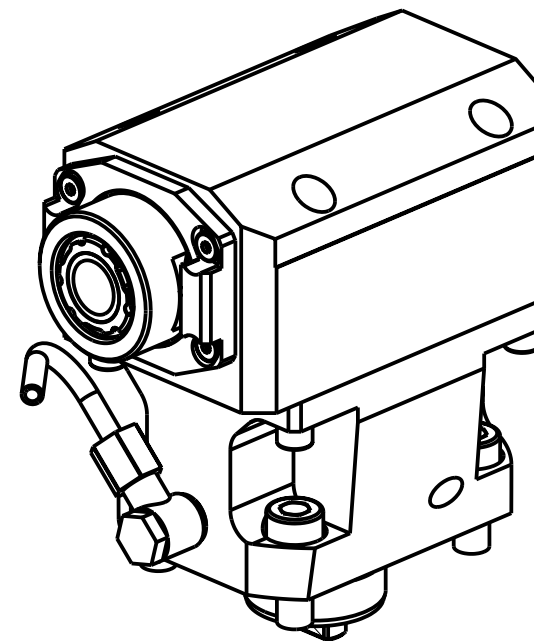
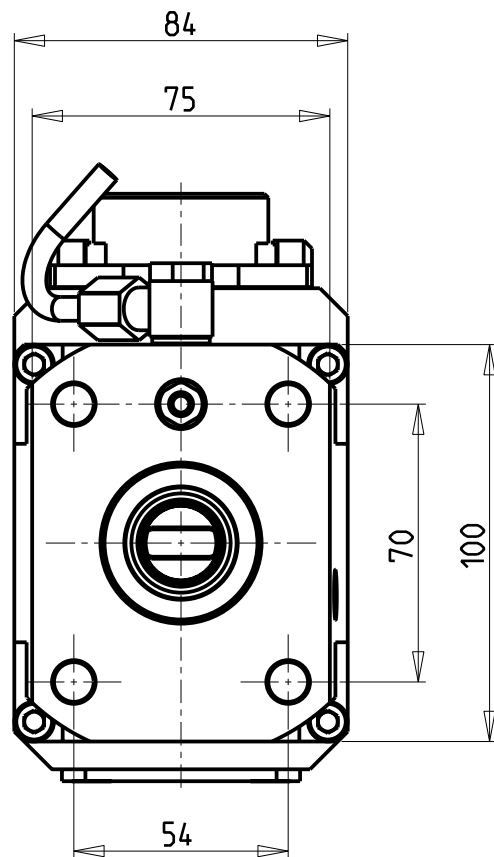
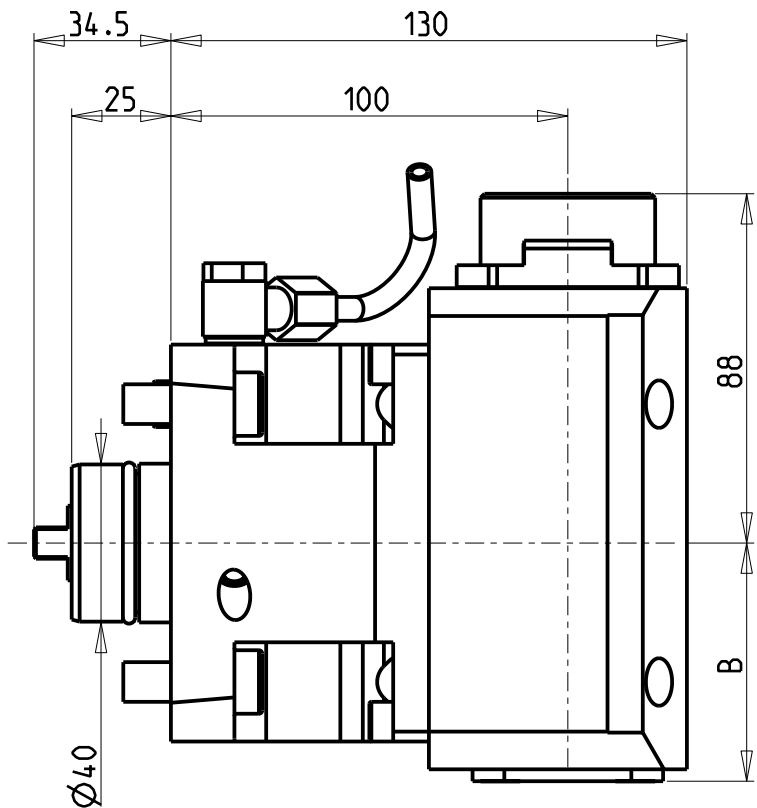


M.T. srl
Via Casino Albini 480
Tel. 0541/956034-957884
Fax 0541/956341
47842 S. GIOVANNI IN M. (RN)
e-mail: mtma@mtmarchetti.com
http://www.mtmarchetti.com

PRODUZIONE MODULI ROTANTI



PAGINA MUR010-2-00

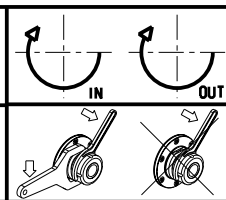


Cod. MT	Mandrino Spindle Spindel	I	RPM	Coppia Max Max Torque Max Drehmoment	Lubrificazione int. Coolant through Innenkuehlung	Lubrificazione est. Ext. coolant Aussenkuehlung	B	CHIAVI NON INCLUSE Keys not included Schluessel nicht einbegriffen			
MUR0150325	ERA25	1:2	12000	30Nm	-	X	60	CHUB27	CHTAER25ZC	OKU0290009	NEW
MUR0150425	ERA25	1:2	12000	30Nm	P=70bar	X	70	CHUB27	CHTAER25ZC	OKU0290009	NEW

- Chiave inclusa
- Key included
- Schluessel inbegriffen

MURATEC
MOD: MD60 - MD120

MODULO MOTORIZZATO ASSIALE MOLTIPLICATO I=1:2 H=100mm
Axial gear-up I=1:2 driven tool H=100mm
Axial angetriebenes Werkzeug uebersetzt I=1:2 H=100mm



M.T. srl
Via Casino Albini 480
Tel. 0541/956034-957884
Fax 0541/956341
47842 S. GIOVANNI IN M. (RN)
e-mail: mtma@mtmarchetti.com
http://www.mtmarchetti.com

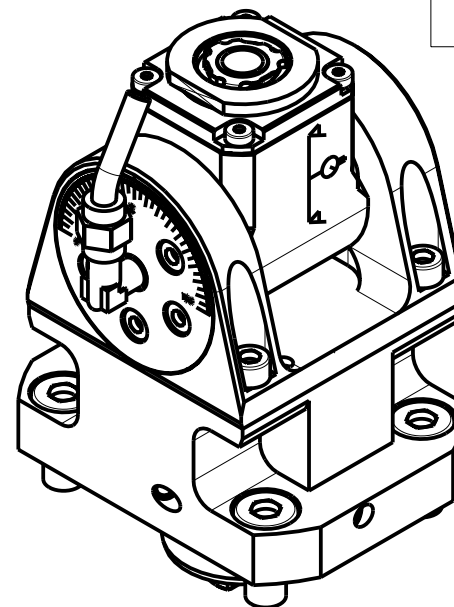
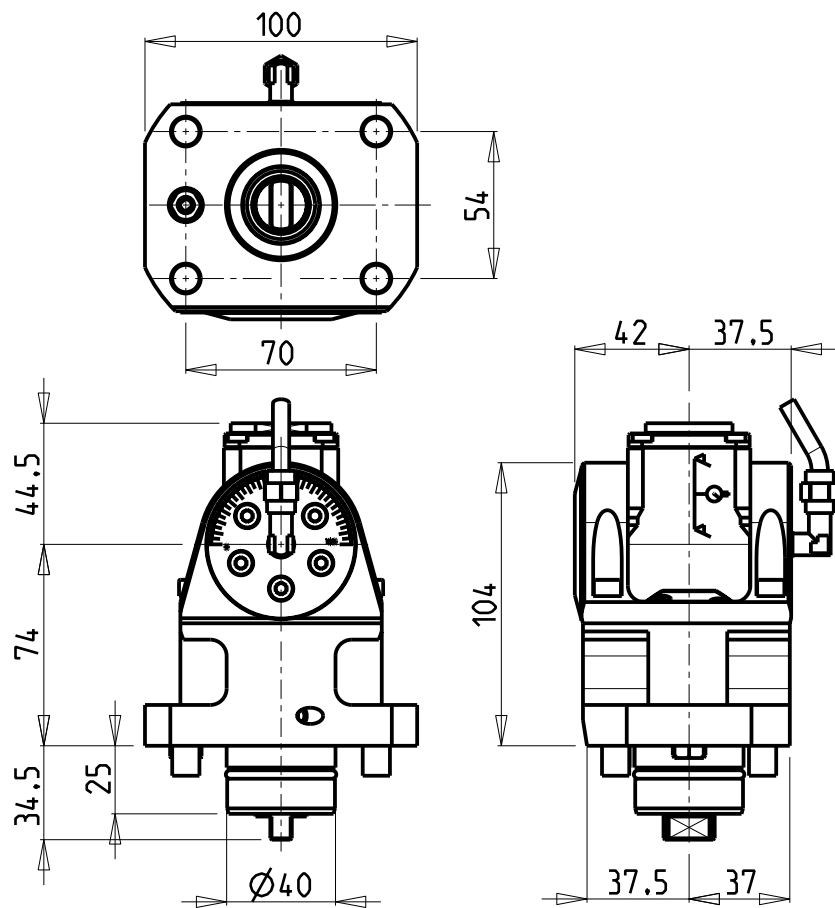
PRODUZIONE MODULI ROTANTI



PAGINA MUR200-2-10

Subject to change without notice.

10/2018



ATTENZIONE - ATTENTION - ACHTUNG

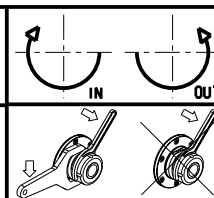
- Con l'utensile orientato a 0° o 180°, non è possibile eseguire lavorazioni a centro-pezzo!
- It is not possible to make machining operations at the center of the part with tool oriented at 0° or at 180°
- Mit einem Werkzeug um 0° oder 180° orientiert, ist es nicht möglich, Verarbeitung von der Werkzeug-Mitte auszuführen.

Cod. MT	Mandrino Spindle Spindel	I	RPM	Coppia Max Max Torque Max Drehmoment	Reversibile lato mandrino/contromandrino Reversible sub/main spindle side Umkehrbare Spindel-seite/ Gegenspindel-seite	Lubrificazione int. Coolant through Innenkuehlung	Lubrificazione est. Ext. coolant Aussenkuehlung	CHIAVI INCLUSE Keys included Schluessel inbegriffen			
								CHUB19_SP3	CHUB32	CHESL07	CHTAER16ZC
MUR0060116	ER A 16	1:1	6000	20Nm	X	-	X	CHUB19_SP3	CHUB32	CHESL07	CHTAER16ZC
MUR0060216	ER A 16	1:1	6000	20Nm	X	P=70bar	X	CHUB19_SP3	CHUB32	CHESL07	CHTAER16ZC

MURATEC
MOD: MD60 - MD120

MODULO MOTORIZZATO ORIENTABILE ±90° H=74mm
±90° adjustable angle driven tool H=74mm
Angetriebenes Werkzeug schwenkbar ±90° H=74mm

Subject to change without notice.



M.T. srl
Via Casino Albini 480
Tel. 0541/956034-957884
Fax 0541/956341
47842 S. GIOVANNI IN M. (RN)
e-mail: mtma@mtmarchetti.com
http://www.mtmarchetti.com

PRODUZIONE MODULI ROTANTI



PAGINA MUR335-2-00

