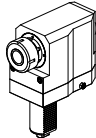
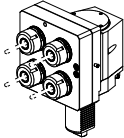
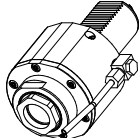
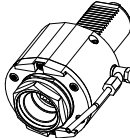
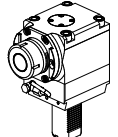
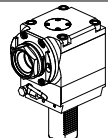
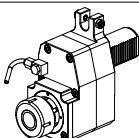
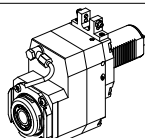
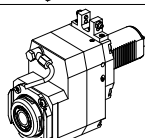
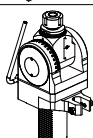
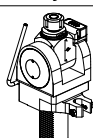
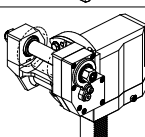
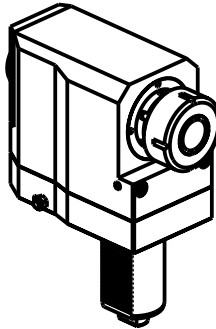
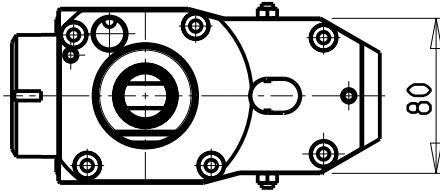


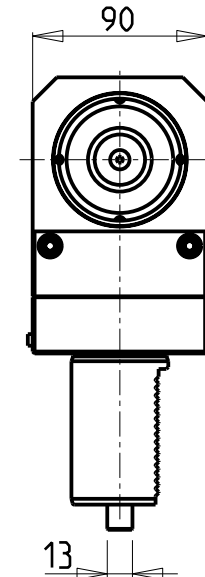
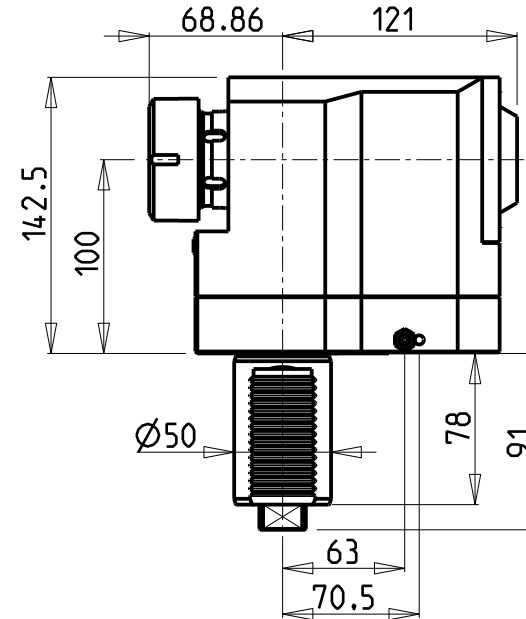
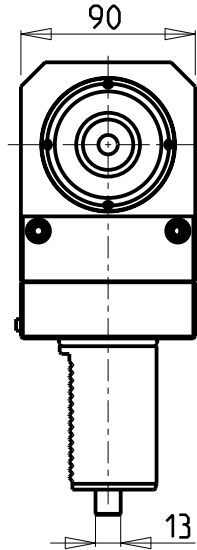
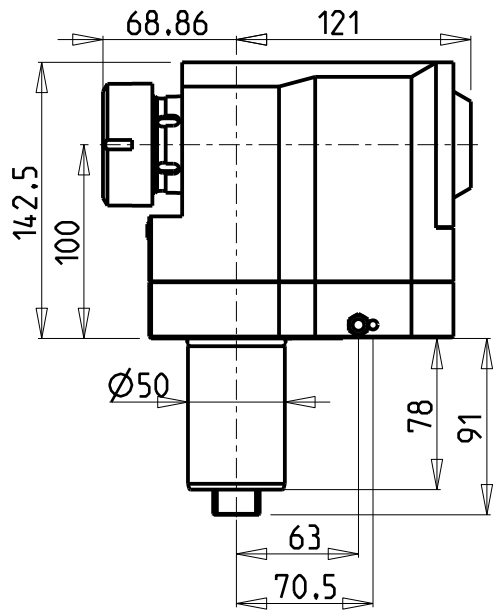
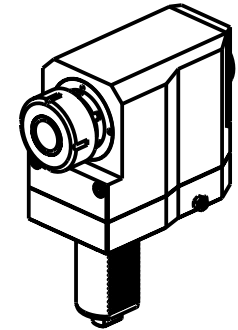
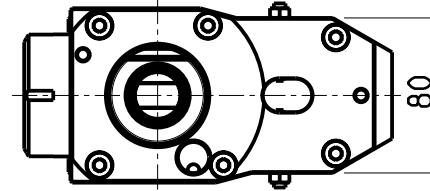
		PAGINA Page Seite
<b>MODULO MOTORIZZATO RADIALE VDI50</b> Radial driven tool VDI50 Radial angetriebenes Werkzeug VDI50		DUP010.3.00
<b>MODULO MOTORIZZATO RADIALE 4 USCITE VDI50</b> Radial 4 head driven tool VDI50 Radial angetriebenes Werkzeug 4 Ausgaenge VDI50		DUP100.3.00
<b>MODULO MOTORIZZATO ASSIALE VDI50</b> Axial driven tool VDI50 Axial angetriebenes Werkzeug VDI50		DUP150.3.10
<b>MODULO MOTORIZZATO ASSIALE MTSK VDI50</b> Axial MTSK driven tool VDI50 Axial MTSK angetriebenes Werkzeug VDI50		DUP150.3.10.K
<b>MODULO MOTORIZZATO RADIALE VDI50</b> Radial driven tool VDI50 Radial angetriebenes Werkzeug VDI50		DUP153.3.10
<b>MODULO MOTORIZZATO RADIALE MTSK VDI50</b> Radial MTSK driven tool VDI50 Radial MTSK angetriebenes Werkzeug VDI50		DUP153.3.10.K
<b>MODULO MOTORIZZATO ASSIALE DISASSATO 60mm VDI50</b> Axial driven tool re-directed by 60mm VDI50 Axial angetriebenes Werkzeug achsversetzt um 60mm VDI50		DUP160.3.00
<b>MODULO MOTORIZZATO ASSIALE RIDOTTO I=2:1 DISASSATO 50mm VDI50</b> Axial geared-down I=2:1 driven tool re-directed by 50mm VDI50 Axial angetriebenes Werkzeug untersetzt I=2:1 achsversetzt um 50mm VDI50		DUP160.3.10
<b>MODULO MOTORIZZ. ASSIALE MOLTIPLICATO I=1:2 DISASSATO 50mm VDI50</b> Axial geared-up I=1:2 driven tool re-directed by 50mm VDI50 Axial angetriebenes Werkzeug uebersetzt I=1:2 achsversetzt um 50mm VDI50		DUP160.3.20
<b>MODULO MOTORIZZATO ORIENTABILE ±90° VDI50</b> ±90° adjustable angle driven tool VDI50 Angetriebenes Werkzeug schwenkbar ±90° VDI50		DUP333.3.00
<b>MODULO MOTORIZZATO ORIENTABILE ±90° CON NONIO DIGITALE VDI50</b> ±90° adjustable angle driven tool with digital display VDI50 Angetriebenes Werkzeug schwenkbar ±90° mit digital display VDI50		DUP333.3.01
<b>MODULO MOTORIZZATO PORTACREATORE VDI50</b> Driven gear hobber VDI50 Angetriebenes Zahnradwaelzfraes-Werkzeug VDI50		DUP340.3.00



VDI SINISTRO  
VDI Left hand  
VDI Link



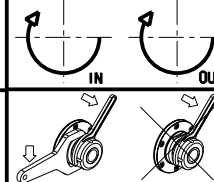
VDI DESTRO  
VDI Right hand  
VDI Recht



Cod. MT	Mandrino Spindle Spindel	i	RPM	Coppia Max Max Torque Max Drehmoment	Lubrificazione est. Ext. coolant Aussenkuehlung	CHIAVI NON INCLUSE Keys not included Schlüssel nicht einbegriffen		VDI
						CHSTER40	CHSE5255	
151DUP_R40_50A20	ER40	1:1	4000	100Nm	X	CHSTER40	CHSE5255	SINISTRO - Left - Link
151DUP_R40_50A00	ER40	1:1	4000	100Nm	X	CHSTER40	CHSE5255	DESTRO - Right - Recht

DIPLOMATIC  
VDI 50

MODULO MOTORIZZATO RADIALE VDI50  
Radial driven tool VDI50  
Radial angetriebenes Werkzeug VDI50



**M.T. srl**  
Via Casino Albini 480  
Tel. 0541/956034-957884  
Fax 0541/956341  
47842 S. GIOVANNI IN M. (RN)  
e-mail: mtma@mtmarchetti.com  
http://www.mtmarchetti.com

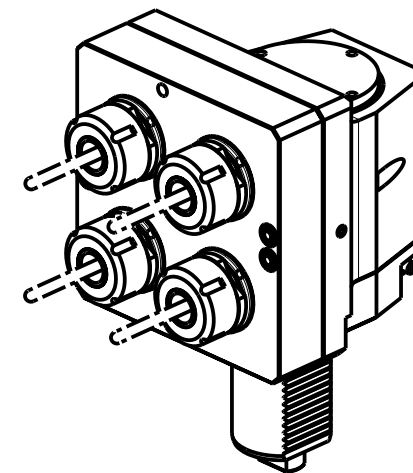
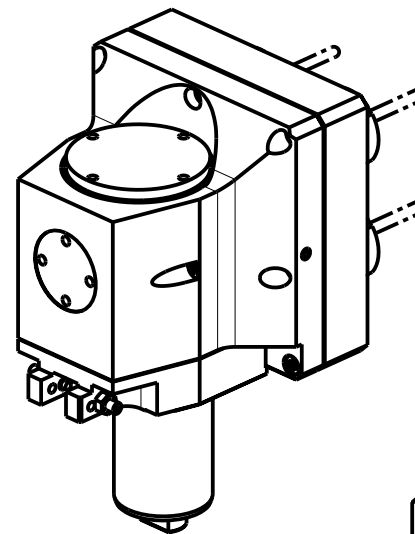
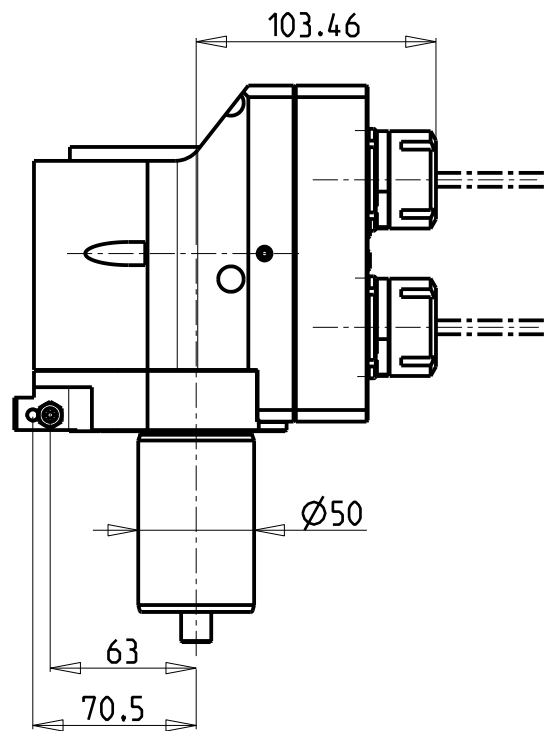
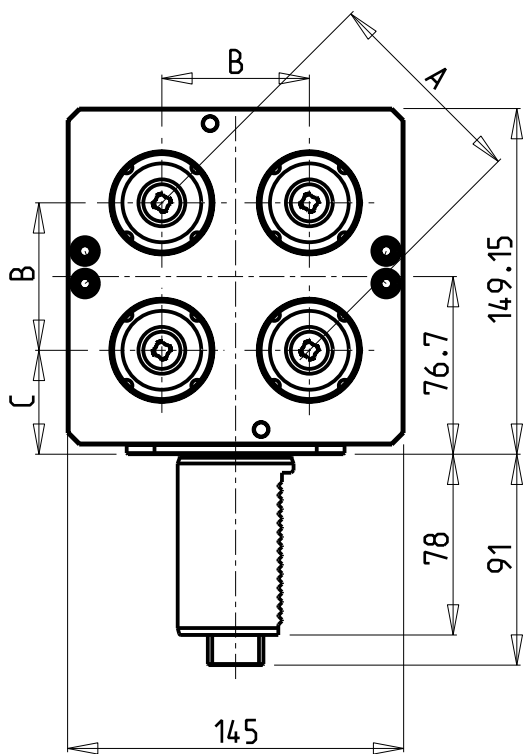
PRODUZIONE MODULI ROTANTI



PAGINA DUP010-3-00

Subject to change without notice.

10/2018

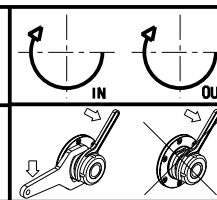


Cod. MT	Mandrino Spindle Spindel	N°Utensili N°Tools N°Werkzeuge	I	RPM	Coppia Max Max Torque Max Drehmoment	Lubrificazione est. Ext. coolant Auslenkuehlung	A	B	C	CHIAVI NON INCLUSE Keys not included Schlüssel nicht einbegriffen		VDI
										CHSTER25	CHUB36	
0240025X4_90	ER25	4	2:1	2000	80Nm	X	90	63.64	44.88	CHSTER25	CHUB36	DESTRO - Right - Recht
0240025X4_105	ER25	4	2:1	2000	80Nm	X	105	74.246	39.577	CHSTER25	CHUB36	DESTRO - Right - Recht

DIPLOMATIC  
VDI 50

MODULO MOTORIZZATO RADIALE 4 USCITE VDI50  
Radial 4 head driven tool VDI50  
Radial angetriebenes Werkzeug 4 Ausgaenge VDI50

Subject to change without notice.

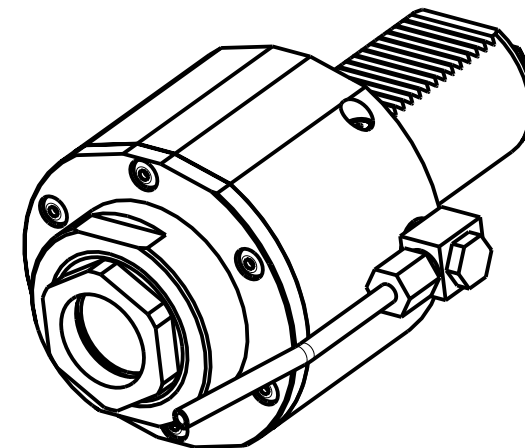
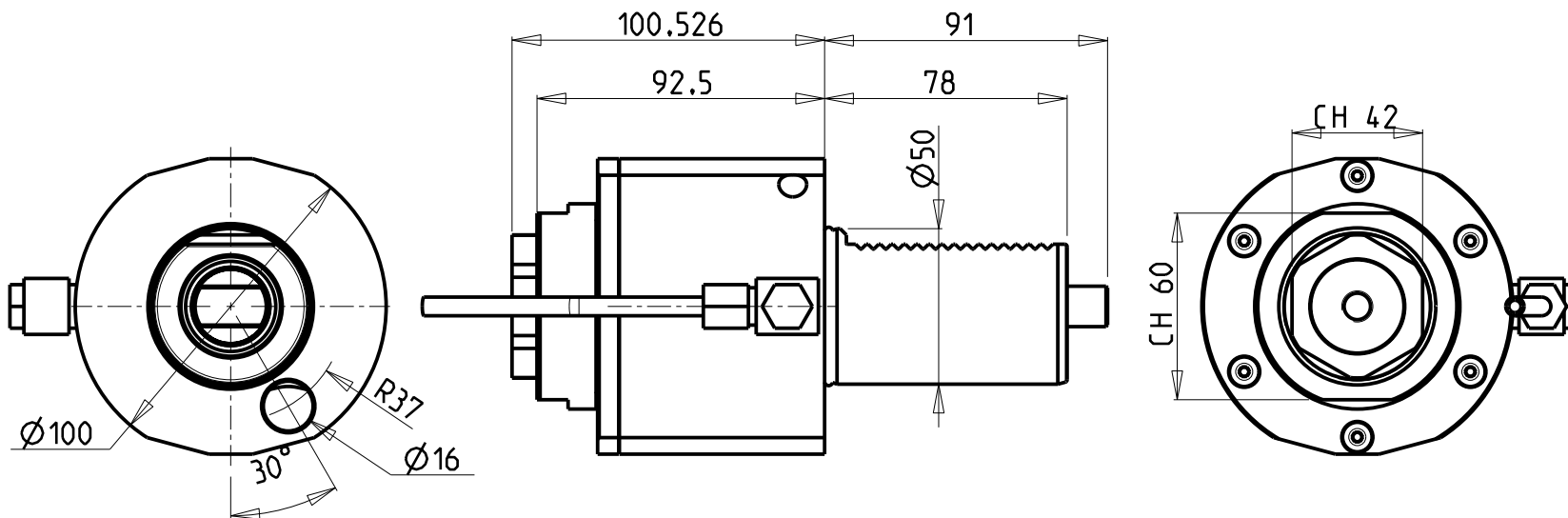


**M.T. srl**  
Via Casino Albini 480  
Tel. 0541/956034-957884  
Fax 0541/956341  
47842 S. GIOVANNI IN M. (RN)  
e-mail: mtma@mtmarchetti.com  
http://www.mtmarchetti.com

PRODUZIONE MODULI ROTANTI



PAGINA DUP100-3-00

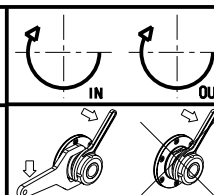


Cod. MT	Mandrino Spindle Spindel	I	RPM	Coppia Max Max Torque Max Drehmoment	Lubrificazione int. Coolant through Innenkuehlung	Lubrificazione est. Ext. coolant Aussenkuehlung	CHIAVI NON INCLUSE Keys not included Schluessel nicht inbegriffen	
DUP0020140	ER A 40	1:1	4000	100Nm		X	CHUB60	CHUB42
DUP0020240	ER A 40	1:1	4000	100Nm	P=30bar	X	CHUB60	CHUB42

DIPLOMATIC  
VDI 50

MODULO MOTORIZZATO ASSIALE VDI50  
Axial driven tool VDI50  
Axial angetriebenes Werkzeug VDI50

Subject to change without notice.



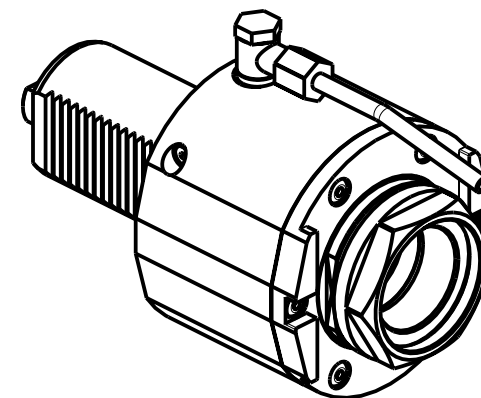
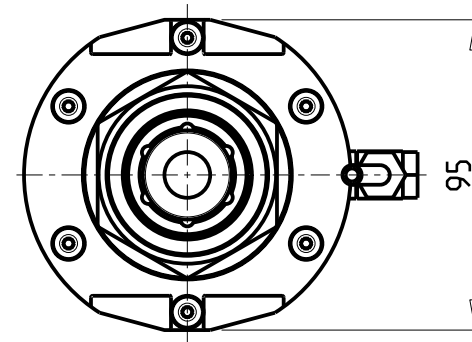
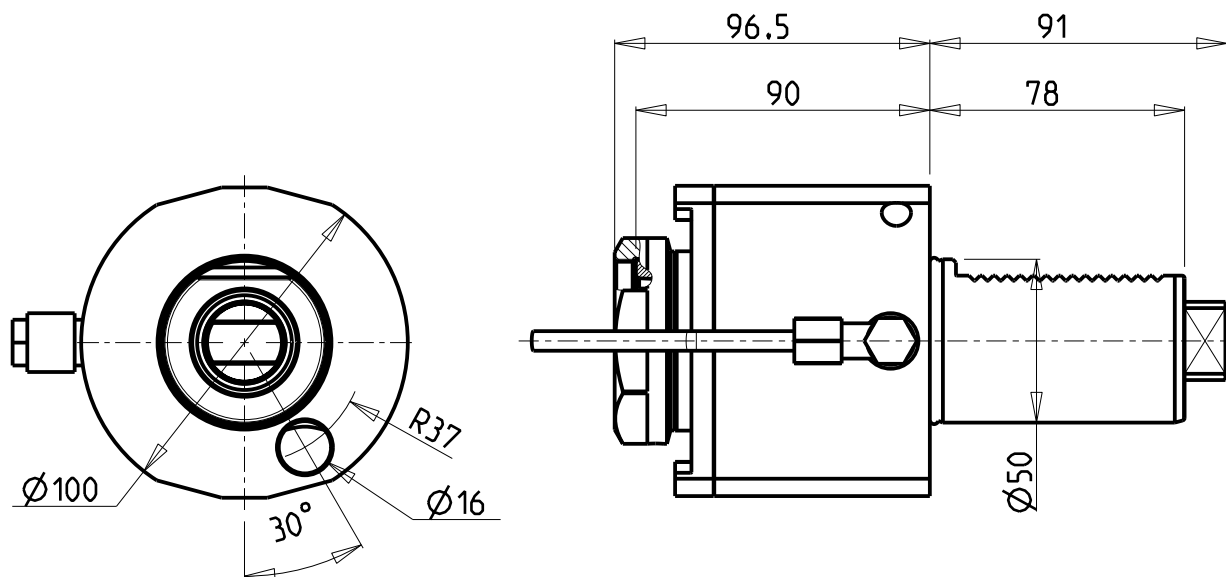
**M.T. srl**

Via Casino Albini 480  
Tel. 0541/956034-957884  
Fax 0541/956341  
47842 S. GIOVANNI IN M. (RN)  
e-mail: mtma@mtmarchetti.com  
http://www.mtmarchetti.com

PRODUZIONE MODULI ROTANTI



PAGINA DUP150-3-10



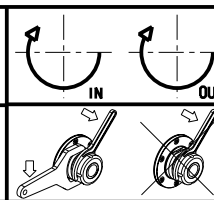
PER PORTAUTENSILI MODULARI MTSK-50 VEDI PAG. TBL300-1-50  
 FOR MTSK-50 QUIK CHANGE TOOLHOLDERS CLAMPINGS SEE PAGE TBL300-1-50  
 FUER MTSK-50 MODULARE WERKZEUGAUFNAHMEN SIEHE SEITE TBL300-1-50

Cod. MT	Mandrino Spindle Spindel	I	RPM	Coppia Max Max Torque Max Drehmoment	Lubrificazione est. Ext. coolant Auslenkuehlung	CHIAVI NON INCLUSE Keys not included Schluessel nicht einbegriffen	
DUP0470150	MTSK-50	1:1	4000	100Nm	X	C HUB55	OKU0430007 *

- Chiave inclusa
- Key included
- Schluessel inbegriffen

DIPLOMATIC  
 VDI 50

MODULO MOTORIZZATO ASSIALE MTSK VDI50  
 Axial MTSK driven tool VDI50  
 Axial MTSK angetriebenes Werkzeug VDI50



**M.T. srl**  
 Via Casino Albini 480  
 Tel. 0541/956034-957884  
 Fax 0541/956341  
 47842 S. GIOVANNI IN M. (RN)  
 e-mail: mtma@mtmarchetti.com  
 http://www.mtmarchetti.com

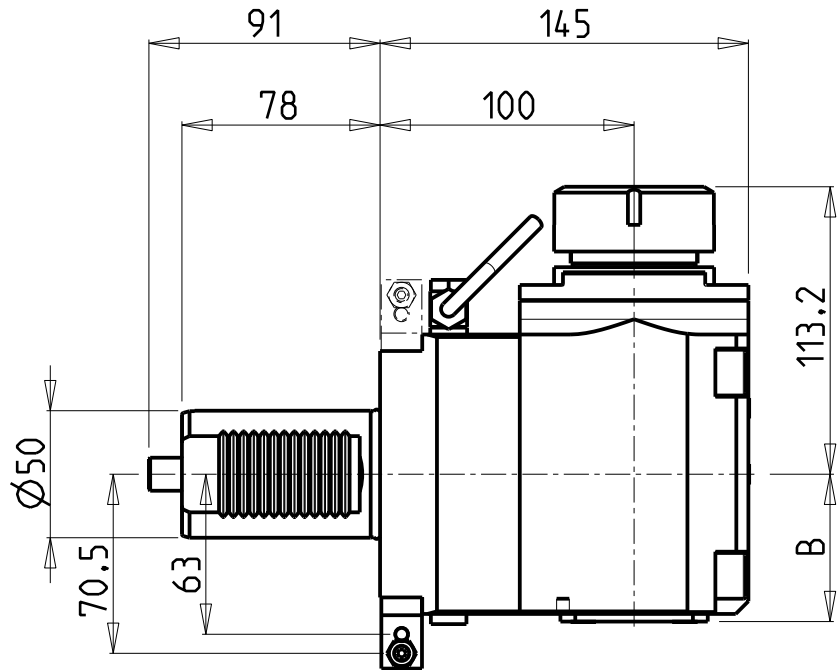
PRODUZIONE MODULI ROTANTI



PAGINA DUP150-3-10-K

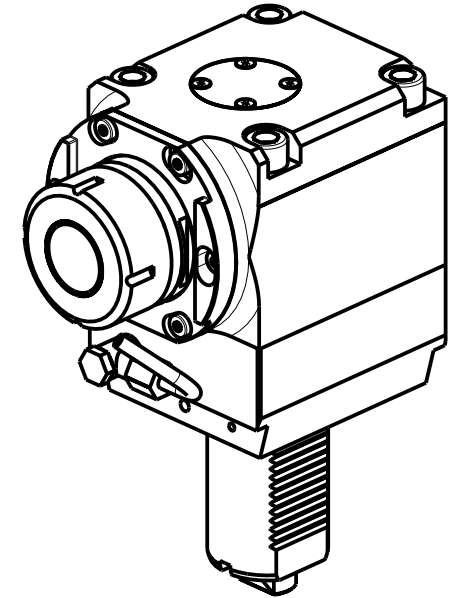
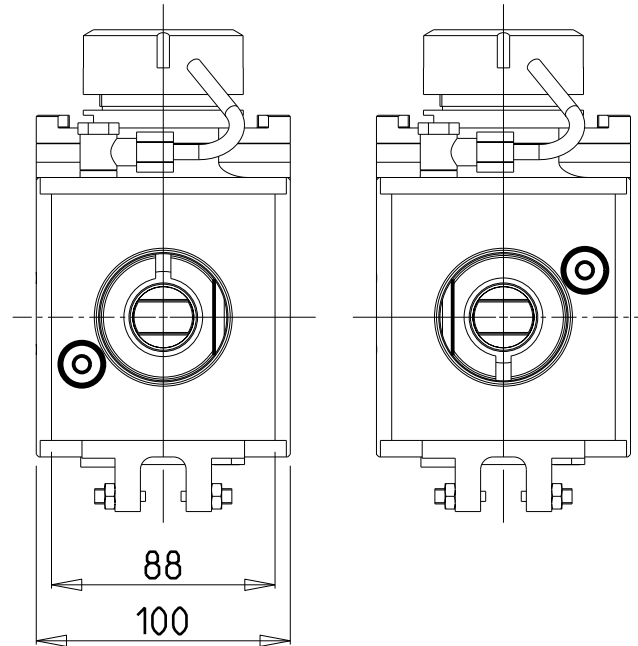
Subject to change without notice.

10/2018



versione dx  
right version  
version rechts

versione sx  
left version  
version links

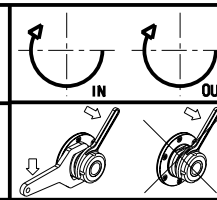


- Chiave inclusa
- Key included
- Schlüssel inbegriffen

Cod. MT		Mandrino Spindle Spindel	i	RPM	Coppia Max Max Torque Max Drehmoment	Lubrificazione int. Coolant through Innenkuehlung	Lubrificazione est. Ext. coolant Aussenkuehlung	B	CHIAVI NON INCLUSE Keys not included Schlüssel nicht einbegriffen	
versione dx right version version rechts	versione sx left version version links								CHSTER40	OKU0430007 *
DUP0200140	DUP0201140	ER40	1:1	4000	100Nm	-	X	58	CHSTER40	OKU0430007 *
DUP0200240	DUP0201240	ER40	1:1	4000	100Nm	P=70bar	X	66.5	CHSTER40	OKU0430007 *

DIPLOMATIC  
VDI 50

MODULO MOTORIZZATO RADIALE VDI50  
Radial driven tool VDI50  
Radial angetriebenes Werkzeug VDI50



**M.T. srl**  
Via Casino Albini 480  
Tel. 0541/956034-957884  
Fax 0541/956341  
47842 S. GIOVANNI IN M. (RN)  
e-mail: mtma@mtmarchetti.com  
http://www.mtmarchetti.com

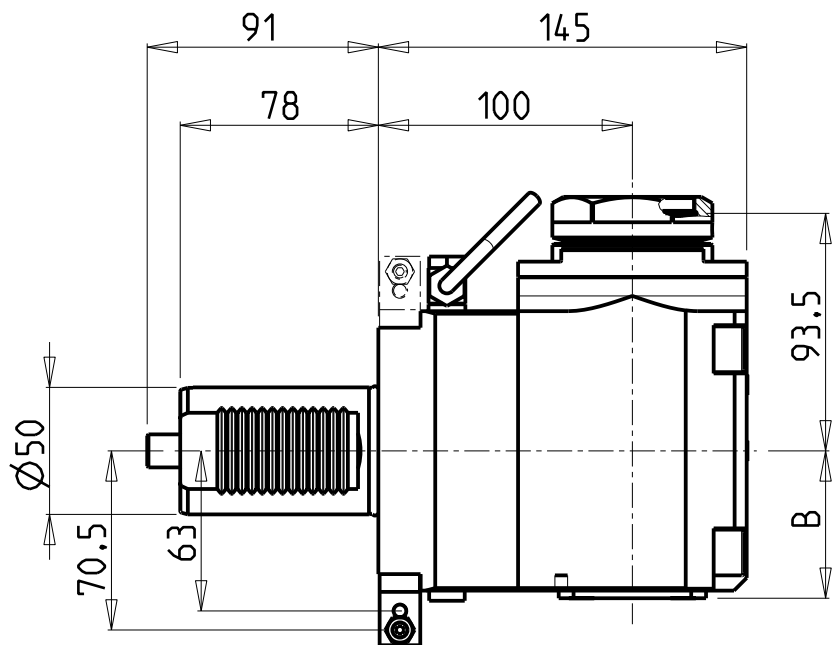
PRODUZIONE MODULI ROTANTI



PAGINA DUP153-3-10

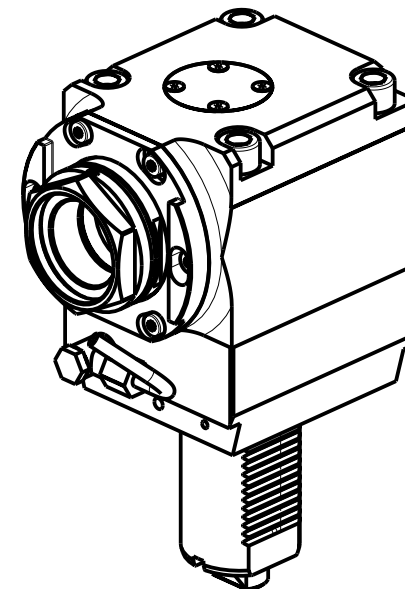
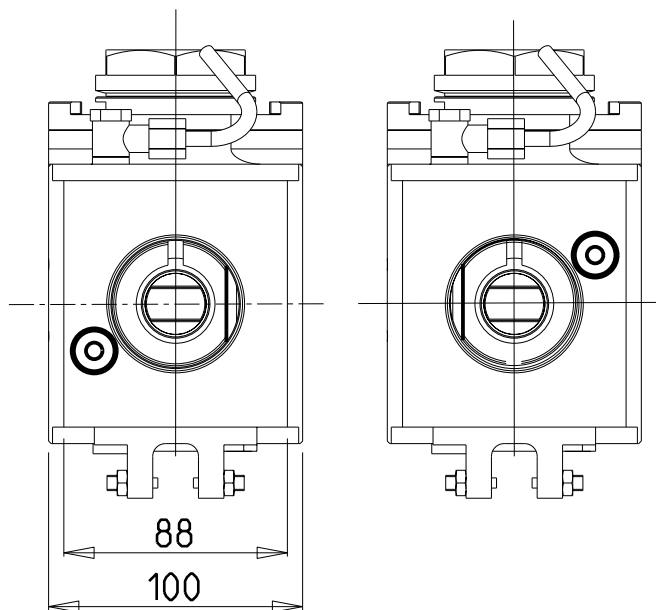
Subject to change without notice.

10/2018



versione dx  
right version  
version rechts

versione sx  
left version  
version links



PER PORTAUTENSILI MODULARI MTSK-50 VEDI PAG. TBL300-1-50  
FOR MTSK-50 QUICK CHANGE TOOLHOLDERS CLAMPINGS SEE PAGE TBL300-1-50  
FUER MTSK-50 MODULARE WERKZEUGAUFNAHMEN SIEHE SEITE TBL300-1-50

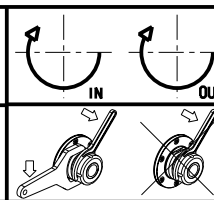
Cod. MT		Mandrino Spindle Spindel	i	RPM	Coppia Max Max Torque Max Drehmoment	Lubrificazione int. Coolant through Innenkuehlung	Lubrificazione est. Ext. coolant Aussenkuehlung	B	CHIAVI NON INCLUSE Keys not included Schluessel nicht einbegriffen	
versione dx right version version rechts	versione sx left version version links								C HUB55	OKU04 30007 *
DUP0210150	DUP0211150	MTSK-50	1:1	4000	100Nm	-	X	58	C HUB55	OKU04 30007 *
DUP0210250	DUP0211250	MTSK-50	1:1	4000	100Nm	P=70bar	X	66.5	C HUB55	OKU04 30007 *

- Chiave inclusa
- Key included
- Schluessel inbegriffen

DIPLOMATIC  
VDI 50

MODULO MOTORIZZATO RADIALE MTSK VDI50  
Radial MTSK driven tool VDI50  
Radial MTSK angetriebenes Werkzeug VDI50

Subject to change without notice.



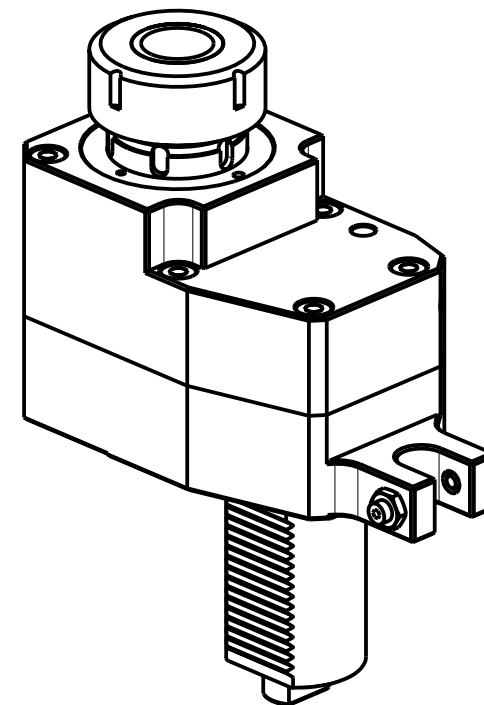
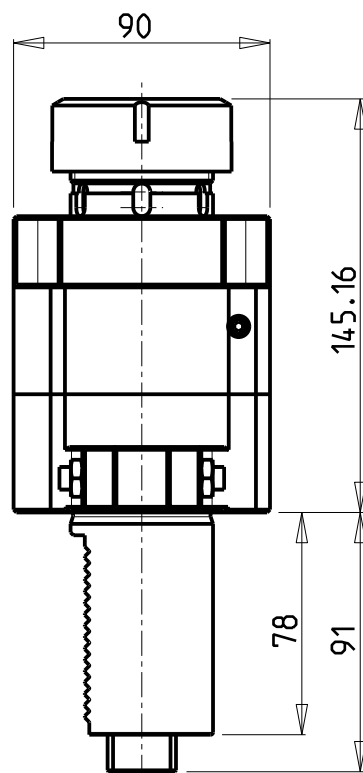
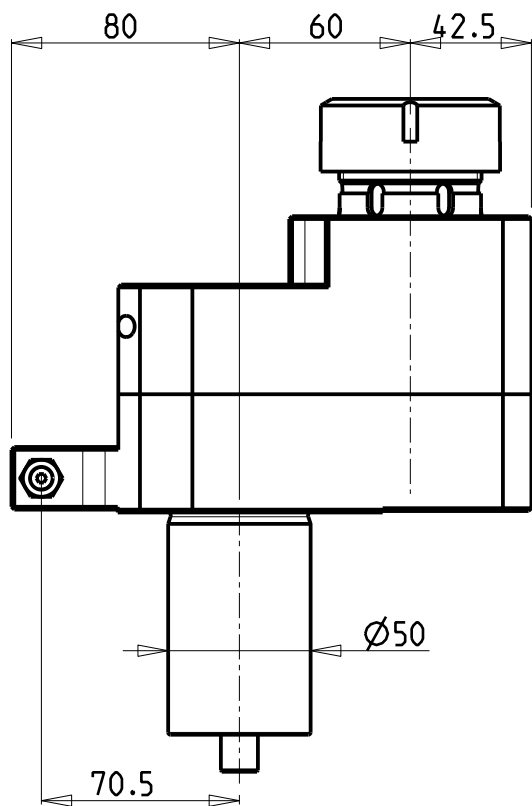
**M.T. srl**  
Via Casino Albini 480  
Tel. 0541/956034-957884  
Fax 0541/956341  
47842 S. GIOVANNI IN M. (RN)  
e-mail: mtma@mtmarchetti.com  
http://www.mtmarchetti.com

PRODUZIONE MODULI ROTANTI



PAGINA DUP153-3-10-K

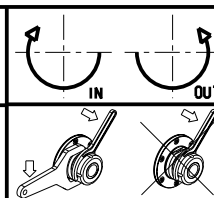




Cod. MT	Mandrino Spindle Spindel	I	RPM	Coppia Max Max Torque Max Drehmoment	Lubrificazione est. Ext. coolant Aussenkuehlung	CHIAVI NON INCLUSE Keys not included Schlüssel nicht einbegriffen		VDI
155DUP_A40_50A00	ER40	1:1	4000	100Nm	X	CHSTER40	CHSE5255	DESTRO - Right - Recht

DIPLOMATIC  
VDI 50

MODULO MOTORIZZATO ASSIALE DISASSATO 60mm VDI50  
Axial driven tool re-directed by 60mm VDI50  
Axial angetriebenes Werkzeug achsversetzt um 60mm VDI50



**M.T. srl**  
Via Casino Albini 480  
Tel. 0541/956034-957884  
Fax 0541/956341  
47842 S. GIOVANNI IN M. (RN)  
e-mail: mtma@mtmarchetti.com  
http://www.mtmarchetti.com

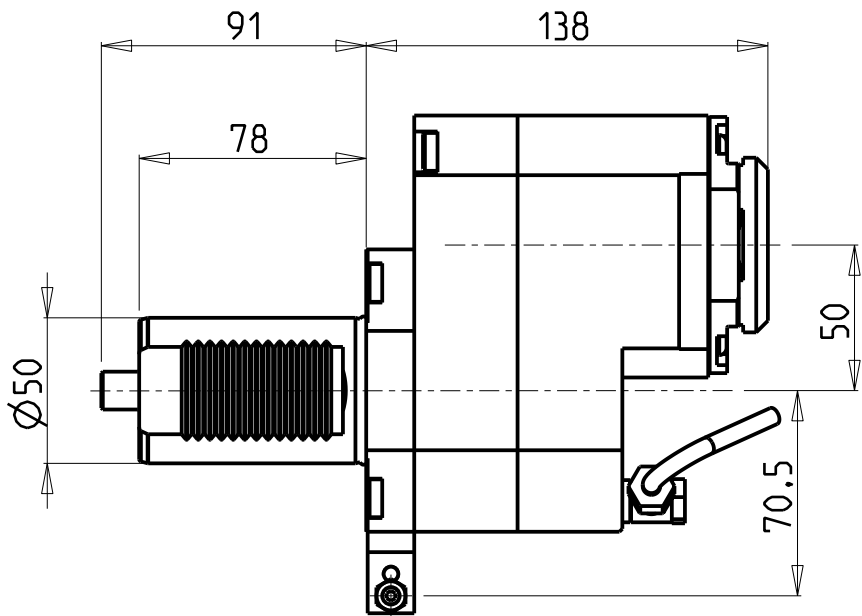
PRODUZIONE MODULI ROTANTI



PAGINA DUP160-3-00

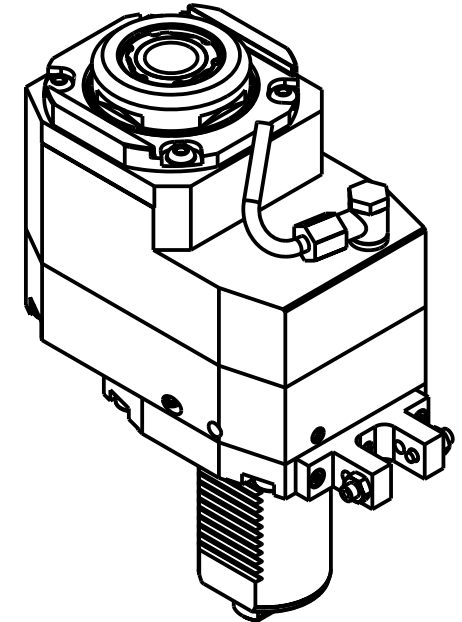
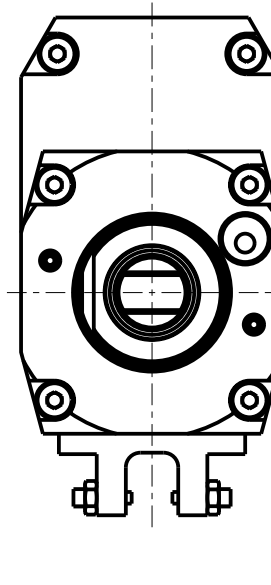
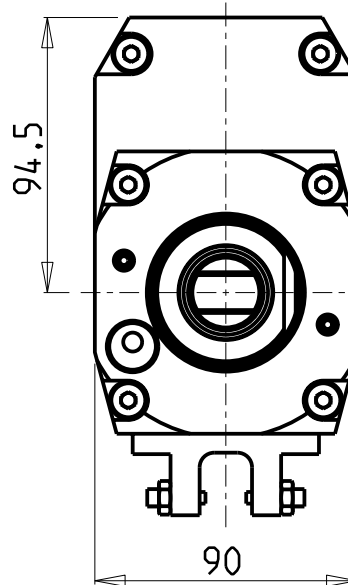
Subject to change without notice.

10/2018



versione dx  
right version  
version rechts

versione sx  
left version  
version links

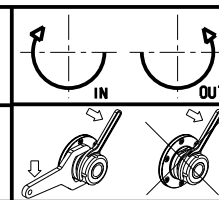


Cod. MT		Mandrino Spindle Spindel	I	RPM	Coppia Max Max Torque Max Drehmoment	Lubrificazione int. Coolant through Innenkuehlung	Lubrificazione est. Ext. coolant Aussenkuehlung	CHIAVI NON INCLUSE Keys not included Schlüssel nicht einbegriffen		
versione dx right version version rechts	versione sx left version version links							CHUB30	CHTAER32ZC *	OKU0430007 *
DUP0543132	DUP0544132	ERA32	2:1	2000	130Nm	-	X	CHUB30	CHTAER32ZC *	OKU0430007 *
DUP0543232	DUP0544232	ERA32	2:1	2000	130Nm	P=70bar	X	CHUB30	CHTAER32ZC *	OKU0430007 *

- Chiave inclusa
- Key included
- Schlüssel inbegriffen

DIPLOMATIC  
VDI 50

MODULO MOTORIZZATO ASSIALE RIDOTTO I=2:1 DISASSATO 50mm VDI50  
Axial geared-down I=2:1 driven tool re-directed by 50mm VDI50  
Axial angetriebenes Werkzeug untersetzt I=2:1 achsversetzt um 50mm VDI50



**M.T. srl**  
Via Casino Albini 480  
Tel. 0541/956034-957884  
Fax 0541/956341  
47842 S. GIOVANNI IN M. (RN)  
e-mail: mtma@mtmarchetti.com  
http://www.mtmarchetti.com

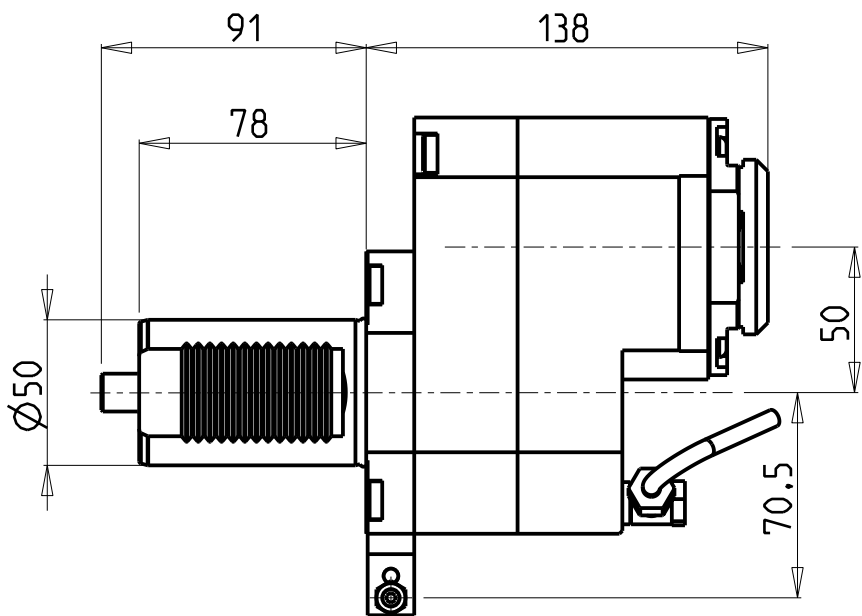
PRODUZIONE MODULI ROTANTI



PAGINA DUP160-3-10

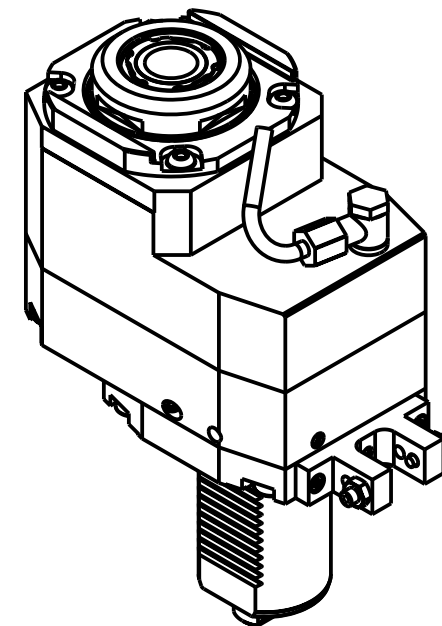
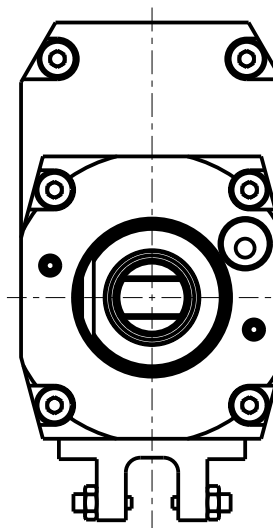
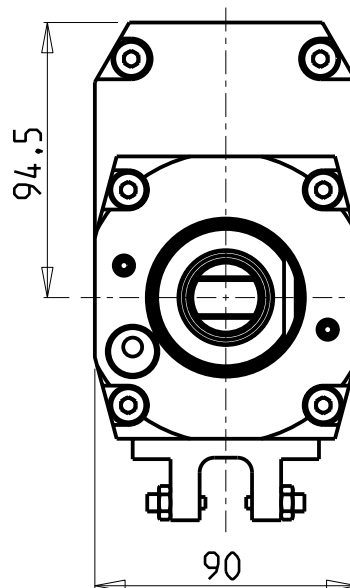
Subject to change without notice.

10/2018



versione dx  
right version  
version rechts

versione sx  
left version  
version links

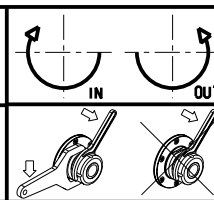


Cod. MT		Mandrino Spindle Spindel	I	RPM	Coppia Max Max Torque Max Drehmoment	Lubrificazione int. Coolant through Innenkuehlung	Lubrificazione est. Ext. coolant Aussenkuehlung	CHIAVI NON INCLUSE Keys not included Schlüssel nicht einbegriffen		
versione dx right version version rechts	versione sx left version version links							CHUB30	CHTAER32ZC *	OKU0430007 *
DUP0546132	DUP0547132	ERA32	1:2	8000	70Nm	-	X	CHUB30	CHTAER32ZC *	OKU0430007 *
DUP0546232	DUP0547232	ERA32	1:2	8000	70Nm	P=70bar	X	CHUB30	CHTAER32ZC *	OKU0430007 *

- Chiave inclusa
- Key included
- Schlüssel inbegriffen

DIPLOMATIC  
VDI 50

MODULO MOTORIZZATO ASSIALE MOLTIPLICATO I=1:2 DISASSATO 50mm VDI50  
Axial geared-up I=1:2 driven tool re-directed by 50mm VDI50  
Axial angetriebenes Werkzeug uebersetzt I=1:2 achsversetzt um 50mm VDI50



**M.T. srl**  
Via Casino Albini 480  
Tel. 0541/956034-957884  
Fax 0541/956341  
47842 S. GIOVANNI IN M. (RN)  
e-mail: mtma@mtmarchetti.com  
http://www.mtmarchetti.com

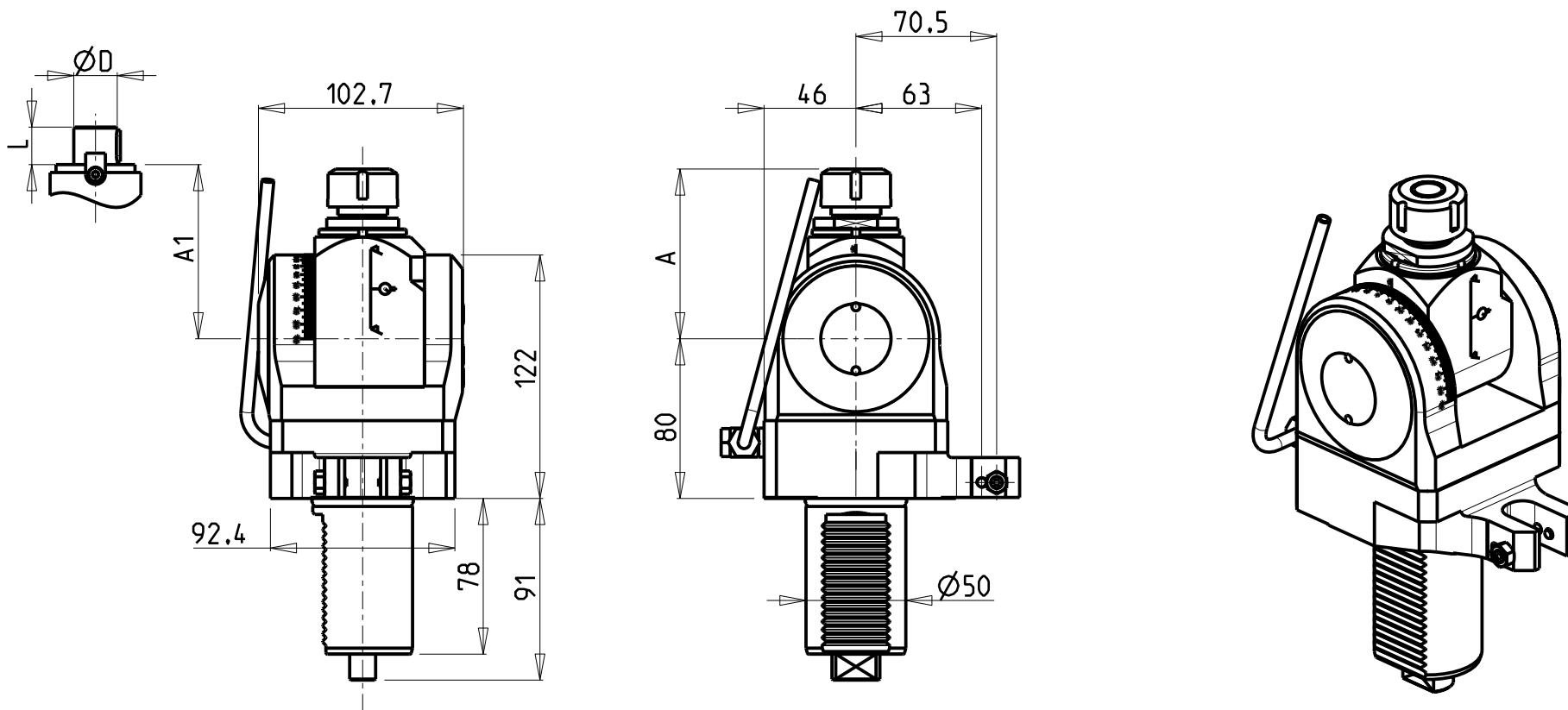
PRODUZIONE MODULI ROTANTI



PAGINA DUP160-3-20

Subject to change without notice.

10/2018

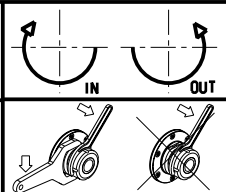


Cod. MT	Mandrino Spindle Spindel	I	RPM	Coppia Max Max Torque Max Drehmoment	Lubrificazione est. Ext. coolant Aussenkühlung	A	A1	D	L	CHIAVI INCLUSE Keys included Schlüssel inbegriffen		VDI
										CH_VTCROCE_M08	CHUB36	
DUP0500120	ER20	1:1	4000	40Nm	X	85.16	-	-	-	CHSTER20	CHUB36	DESTRO - Right - Recht
DUP0500125	ER25	1:1	4000	40Nm	X	86.16	-	-	-	CHSTER25	CHUB36	DESTRO - Right - Recht
DUP0500516	Ø16x17	1:1	4000	40Nm	X	-	65	16	17	CH_VTCROCE_M08	CHUB36	DESTRO - Right - Recht
DUP0500522	Ø22x19	1:1	4000	40Nm	X	-	66	22	19	CH_VTCROCE_M10	CHUB36	DESTRO - Right - Recht
DUP0500519	Ø3/4"x3/4"	1:1	4000	40Nm	X	-	65	3/4"	3/4"	CH_VTCROCE_M08	CHUB36	DESTRO - Right - Recht

DIPLOMATIC  
VDI 50

MODULO MOTORIZZATO ORIENTABILE ±90° VDI50  
±90° adjustable angle driven tool VDI50  
Angetriebenes Werkzeug schwenkbar ±90° VDI50

Subject to change without notice.

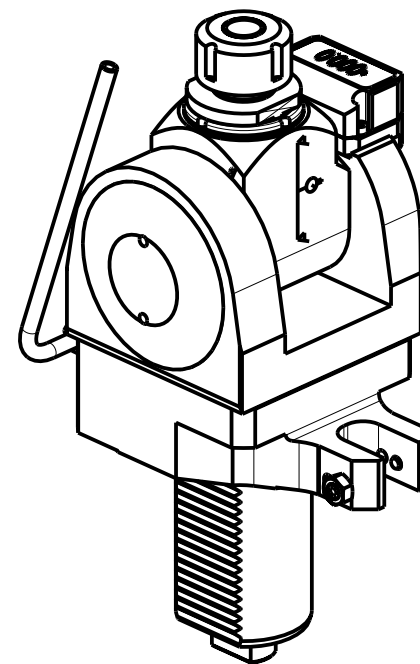
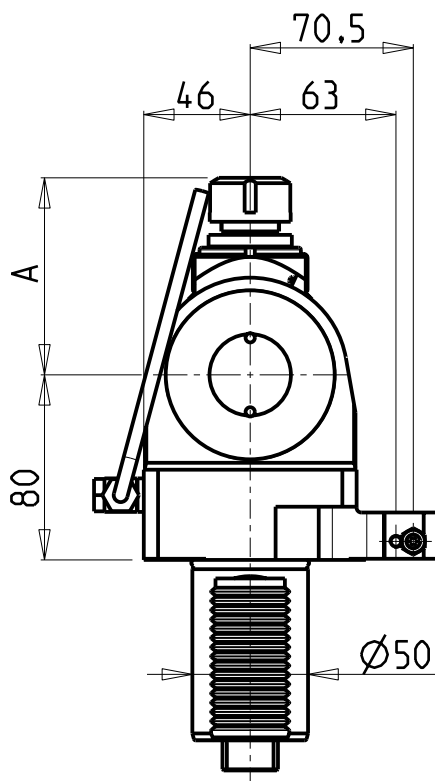
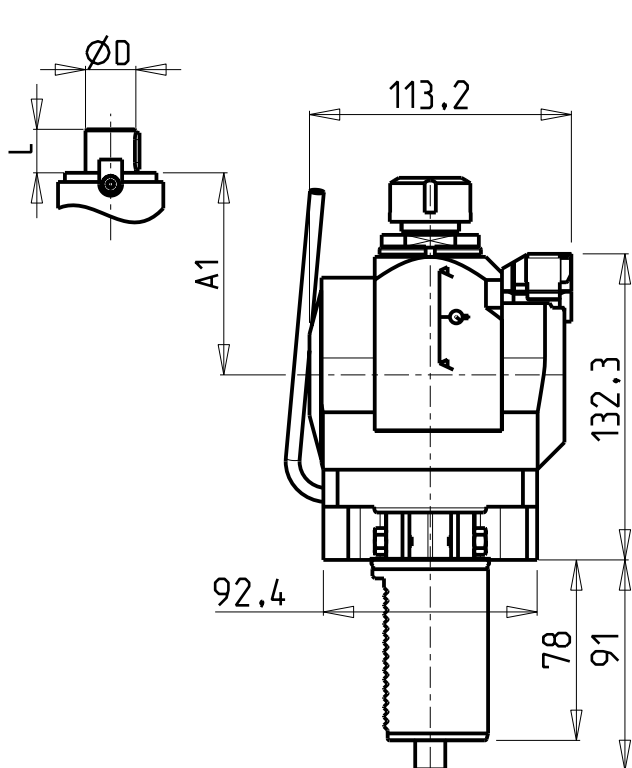


**M.T. srl**  
Via Casino Albini 480  
Tel. 0541/956034-957884  
Fax 0541/956341  
47842 S. GIOVANNI IN M. (RN)  
e-mail: mtma@mtmarchetti.com  
http://www.mtmarchetti.com

PRODUZIONE MODULI ROTANTI



PAGINA DUP333-3-00

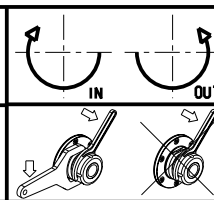


Cod. MT	Mandrino Spindle Spindel	I	RPM	Coppia Max Max Torque Max Drehmoment	Lubrificazione est. Ext. coolant Aussenkühlung	A	A1	D	L	CHIAVI INCLUSE Keys included Schlüssel inbegriffen		VDI
										CH_VTCROCE_M08	CHUB36	
DUP0460120	ER20	1:1	4000	40Nm	X	85.16	-	-	-	CHSTER20	CHUB36	DESTRO - Right - Recht
DUP0460125	ER25	1:1	4000	40Nm	X	86.16	-	-	-	CHSTER25	CHUB36	DESTRO - Right - Recht
DUP0460516	Ø16x17	1:1	4000	40Nm	X	-	65	16	17	CH_VTCROCE_M08	CHUB36	DESTRO - Right - Recht
DUP0460522	Ø22x19	1:1	4000	40Nm	X	-	66	22	19	CH_VTCROCE_M10	CHUB36	DESTRO - Right - Recht
DUP0460519	Ø3/4"x3/4"	1:1	4000	40Nm	X	-	65	3/4"	3/4"	CH_VTCROCE_M08	CHUB36	DESTRO - Right - Recht

DIPLOMATIC  
VDI 50

MODULO MOTORIZZATO ORIENTABILE ±90° CON NONIO DIGITALE VDI50  
±90° adjustable angle driven tool with digital display VDI50  
Angetriebenes Werkzeug schwenkbar ±90° mit digital display VDI50

Subject to change without notice.



**M.T. srl**

Via Casino Albini 480  
Tel. 0541/956034-957884  
Fax 0541/956341  
47842 S. GIOVANNI IN M. (RN)  
e-mail: mtma@mtmarchetti.com  
http://www.mtmarchetti.com

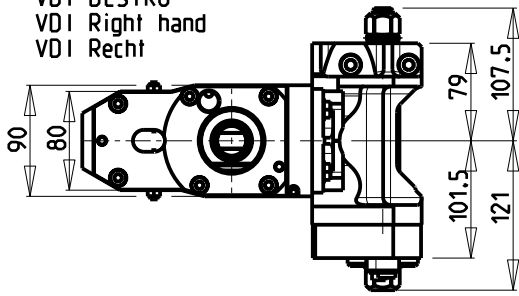
PRODUZIONE MODULI ROTANTI



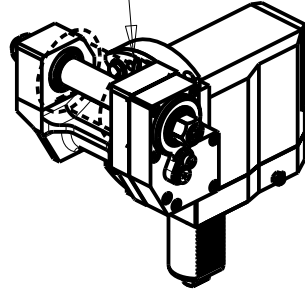
PAGINA DUP333-3-01

10/2018

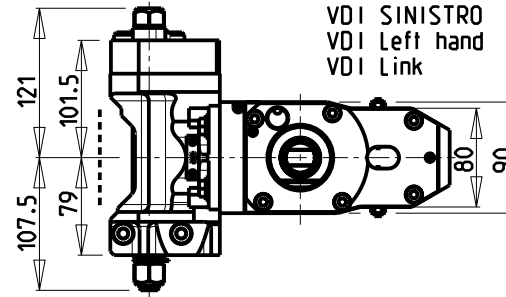
VDI DESTRO  
VDI Right hand  
VDI Recht



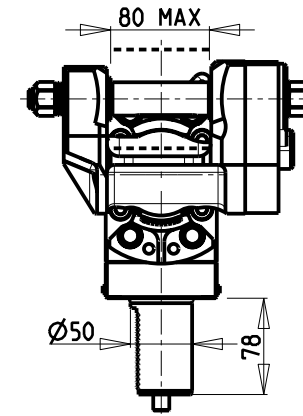
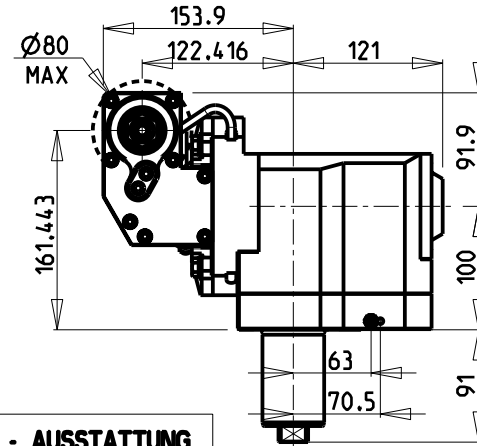
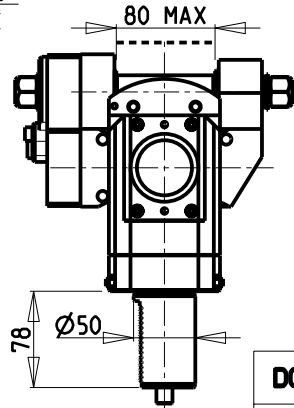
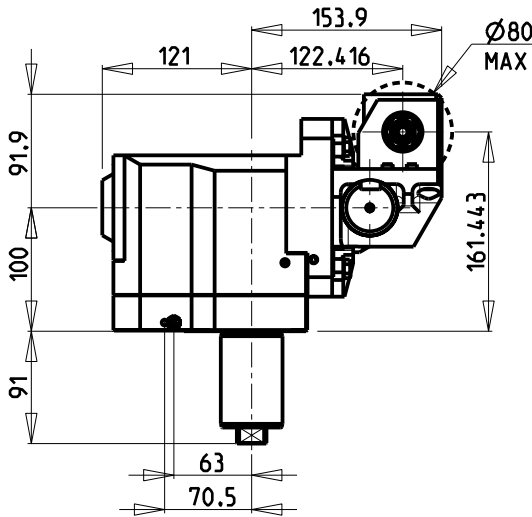
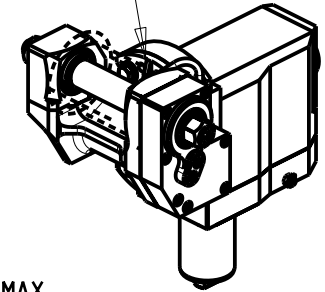
INCLINAZIONE  
REGOLABILE ±20°



VDI SINISTRO  
VDI Left hand  
VDI Link



INCLINAZIONE  
REGOLABILE ±20°



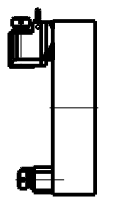
**DOTAZIONI - SUPPLIED WITH - AUSSTATTUNG**

mm / inch

- N°1 ALBERO + DISTANZIALI
- N°1 SHAFT + SPACER
- N°1 DORN + ABSTANDSSTUECK

PER ALBERI E DISTANZIALI VEDI PAG. TBL250-1-00  
FOR SHAFT END SPACER SEE PAGE TBL250-1-00  
FUER DORN UND ABSTANDSSTUECK SEITE TBL250-1-00

**TORRETTE ASSIALI  
AXIAL TURRETS  
AXIAL REVOLVER**

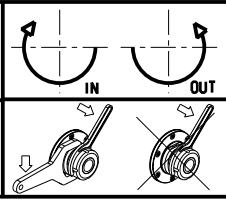


Cod. MT	I	RPM max	Coppia Max Max Torque Max Drehmoment	Lubrificazione est. Ext. coolant Aussenkuehlung	D (mm)	D (Inch)	CHIAVI INCLUSE Keys included Schlüssel inbegriffen			VDI
							CHUB24	CHUB13	CHESL08	
156DUP_PCR_50A00	1:1	4000	60Nm	X	16-22-27-32	3/4"-1"-1 1/4"	CHUB24	CHUB13	CHESL08	DESTRO - Right - Recht
156DUP_PCR_50A01	2:1	2000	80Nm	X	16-22-27-32	3/4"-1"-1 1/4"	CHUB24	CHUB13	CHESL08	DESTRO - Right - Recht
156DUP_PCR_50A10	1:1	4000	60Nm	X	16-22-27-32	3/4"-1"-1 1/4"	CHUB24	CHUB13	CHESL08	SINISTRO - Left - Link
156DUP_PCR_50A11	2:1	2000	80Nm	X	16-22-27-32	3/4"-1"-1 1/4"	CHUB24	CHUB13	CHESL08	SINISTRO - Left - Link

DIPLOMATIC  
VDI 50

MODULO MOTORIZZATO PORTACREATORE VDI50  
Driven gear hobber VDI50  
Angetriebenes Zahnradwaelzfraes-Werkzeug VDI50

Subject to change without notice.



**M.T. srl**  
Via Casino Albini 480  
Tel. 0541/956034-957884  
Fax 0541/956341  
47842 S. GIOVANNI IN M. (RN)  
e-mail: mtma@tmarchetti.com  
http://www.tmmarchetti.com

PRODUZIONE MODULI ROTANTI



PAGINA DUP340-3-00