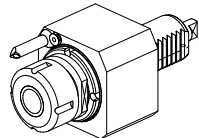
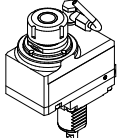
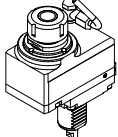
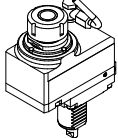
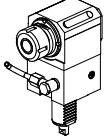
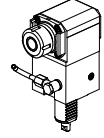
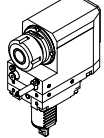
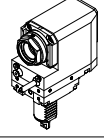
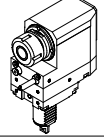
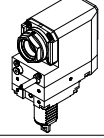
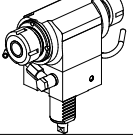
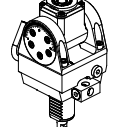
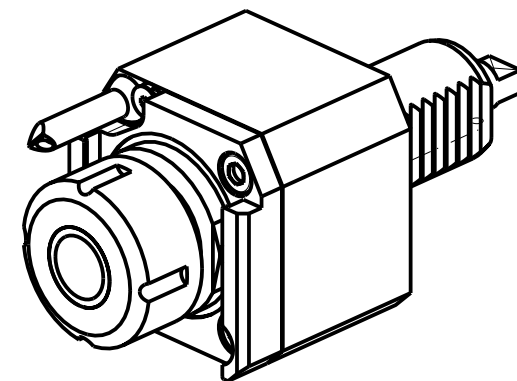
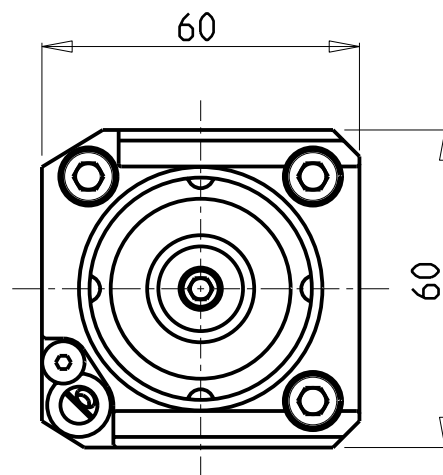
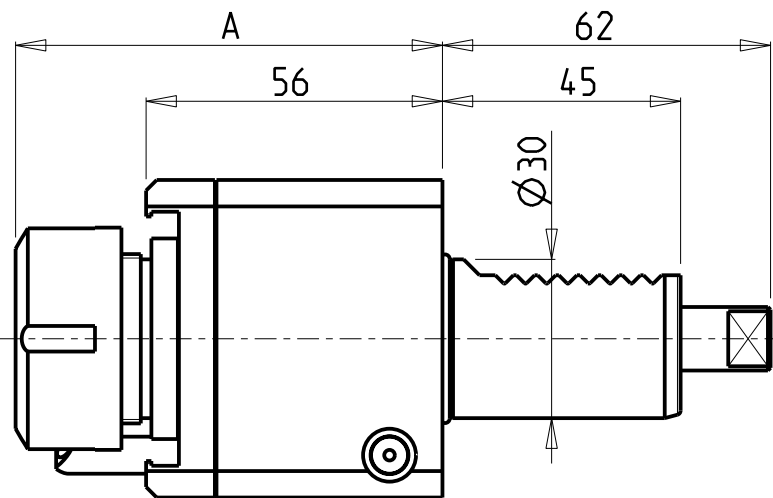


		PAGINA Page Seite
<p>MODULO MOTORIZZATO ASSIALE VDI30 Axial driven tool VDI30 Axial angetriebenes Werkzeug VDI30</p>		DUP014.1.00
<p>MODULO MOTORIZZATO ASSIALE DISASSATO 36mm VDI30 Axial driven tool re-directed by 36mm VDI30 Axial angetriebenes Werkzeug achsversetzt um 36mm VDI30</p>		DUP014.1.05
<p>MODULO MOTORIZZATO ASSIALE RIDOTTO I=2:1 DISASSATO 36mm VDI30 Axial geared-down I=2:1 driven tool re-directed by 36mm VDI30 Axial angetriebenes Werkzeug untersetzt I=2:1 achsversetzt um 36mm VDI30</p>		DUP014.1.30
<p>MODULO MOTORIZZATO ASSIALE MOLTIPLICATO I=1:2 DISASSATO 36mm VDI30 Axial geared-up I=1:2 driven tool re-directed by 36mm VDI30 Axial angetriebenes Werkzeug uebersetzt I=1:2 achsversetzt um 36mm VDI30</p>		DUP014.1.60
<p>MODULO MOTORIZZATO RADIALE VDI30 H=85mm Radial driven tool VDI30 H=85mm Radial angetriebenes Werkzeug VDI30 H=85mm</p>		DUP015.1.00
<p>MODULO MOTORIZZATO RADIALE VDI30 H=100mm Radial driven tool VDI30 H=100mm Radial angetriebenes Werkzeug VDI30 H=100mm</p>		DUP015.1.10
<p>MODULO MOTORIZZATO RADIALE ARRETRATO VDI30 H=75mm Radial rear-set driven tool VDI30 H=75mm Radial angetriebenes Werkzeug zurueckversetzt VDI30 H=75mm</p>		DUP015.1.60
<p>MODULO MOTORIZZATO RADIALE ARRETRATO MTSK VDI30 H=75mm Radial MTSK rear-set driven tool VDI30 H=75mm Radial MTSK angetriebenes Werkzeug zurueckversetzt VDI30 H=75mm</p>		DUP015.1.60.K
<p>MODULO MOTORIZZATO RADIALE ARRETRATO VDI30 H=85mm Radial rear-set driven tool VDI30 H=85mm Radial angetriebenes Werkzeug zurueckversetzt VDI30 H=85mm</p>		DUP015.1.70
<p>MODULO MOTORIZZATO RADIALE ARRETRATO MTSK VDI30 H=85mm Radial MTSK rear-set driven tool VDI30 H=85mm Radial MTSK angetriebenes Werkzeug zurueckversetzt VDI30 H=85mm</p>		DUP015.1.70.K
<p>MODULO MOTORIZZATO RADIALE BISPORGENTE VDI30 H=75mm Radial opposite face twin driven tool VDI30 H=75mm Radial angetriebenes Werkzeug halb vorspringend VDI30 H=75mm</p>		DUP016.1.00
<p>MODULO MOTORIZZATO ORIENTABILE ±90° VDI30 ±90° adjustable angle driven tool VDI30 Angetriebenes Werkzeug schwenkbar ±90° VDI30</p>		DUP335.1.00

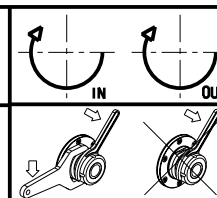


Cod. MT	Mandrino Spindle Spindel	I	RPM	Coppia Max Max Torque Max Drehmoment	Lubrificazione est. Ext. coolant Ausseukuehlung	A	CHIAVI NON INCLUDE Keys not included Schluessel nicht einbegriffen	
DUP0070120	ER20	1:1	6000	32Nm	X	79.66	CHSTER20	OKU0290009 *
DUP0070125	ER25	1:1	6000	32Nm	X	80.66	CHSTER25	OKU0290009 *

- Chiave inclusa
- Key included
- Schluessel inbegriffen

DIPLOMATIC
VDI 30

MODULO MOTORIZZATO ASSIALE VDI30
Axial driven tool VDI30
Axial angetriebenes Werkzeug VDI30



M.T. srl
Via Casino Albini 480
Tel. 0541/956034-957884
Fax 0541/956341
47842 S. GIOVANNI IN M. (RN)
e-mail: mtma@mtmarchetti.com
http://www.mtmarchetti.com

PRODUZIONE MODULI ROTANTI



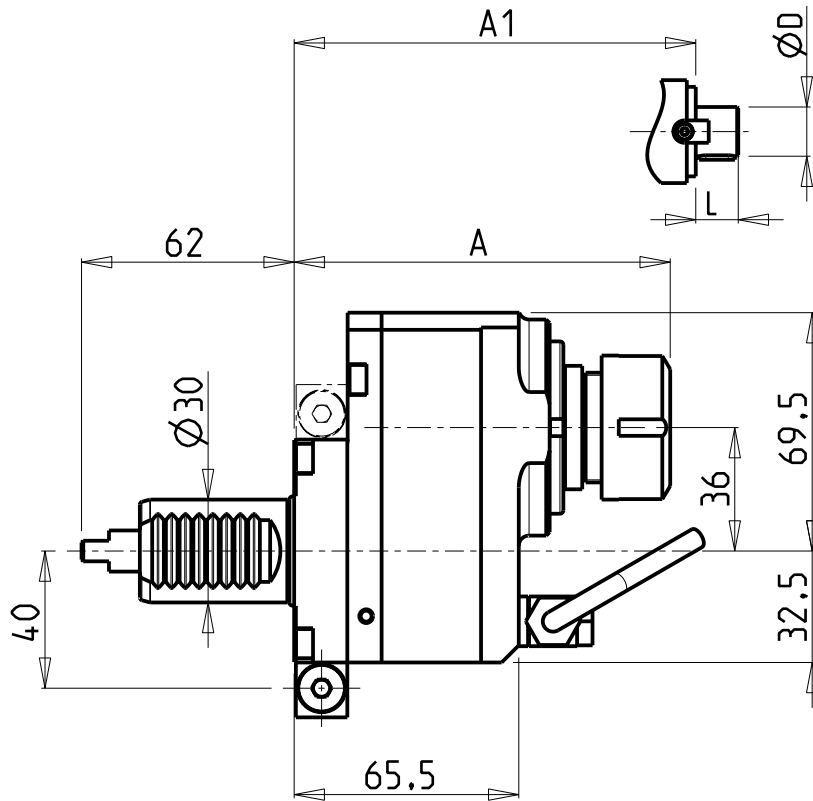
PAGINA DUP014-1-00

Subject to change without notice.

10/2018

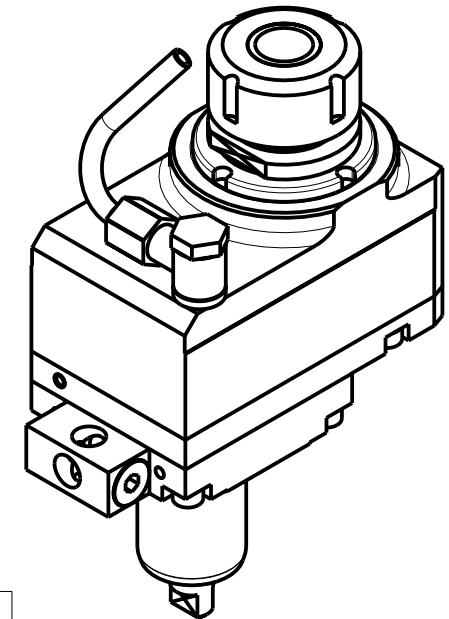
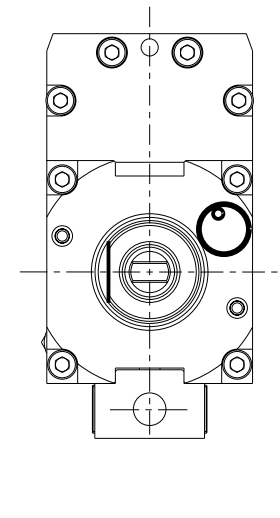
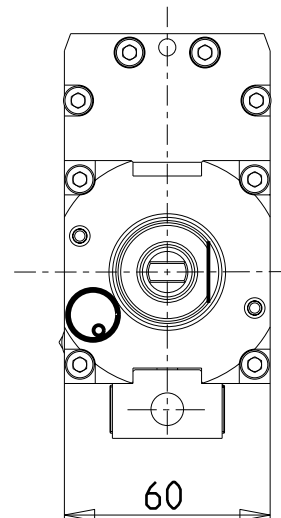
ATTENZIONE - ATTENTION - ACHTUNG

- Per lo smontaggio degli utensili utilizzare sempre la chiave di contrasto come indicato nel manuale d'uso.
- For disassembly of the tools use always the contrast key as mentioned in the user instructions.
- Fuer das Abmontieren der Werkzeuge immer den Gegenschlüssel benutzen wie in der Bedienungsanleitung erwahnt.



versione dx
right version
version rechts

versione sx
left version
version links



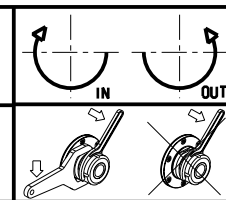
- Chiave inclusa
- Key included
- Schlüssel inbegriffen

Cod. MT		Mandrino Spindle Spindel	I	RPM	Coppia Max Max Torque Max Drehmoment	Lubrificazione est. Ext. coolant Auslenkuehlung	A	A1	ØD	L	CHIAVI NON INCLUSE Keys not included Schlüssel nicht einbegriffen	
versione dx right version version rechts	versione sx left version version links										CHUB36	CHSTER25
DUP0270125	DUP0271125	ER25	1:1	6000	30Nm	X	109.66	-	-	-	CHUB36	CHSTER25
DUP0270522	DUP0271522	Ø22x19	1:1	6000	30Nm	X	-	90.5	22	19	CHUB36	CH_VTCROCE_M10

DIPLOMATIC
VDI 30

MODULO MOTORIZZATO ASSIALE DISASSATO 36mm VDI30
Axial driven tool re-directed by 36mm VDI30
Axial angetriebenes Werkzeug achsversetzt um 36mm VDI30

Subject to change without notice.



M.T. srl
Via Casino Albini 480
Tel. 0541/956034-957884
Fax 0541/956341
47842 S. GIOVANNI IN M. (RN)
e-mail: mtma@mtmarchetti.com
http://www.mtmarchetti.com

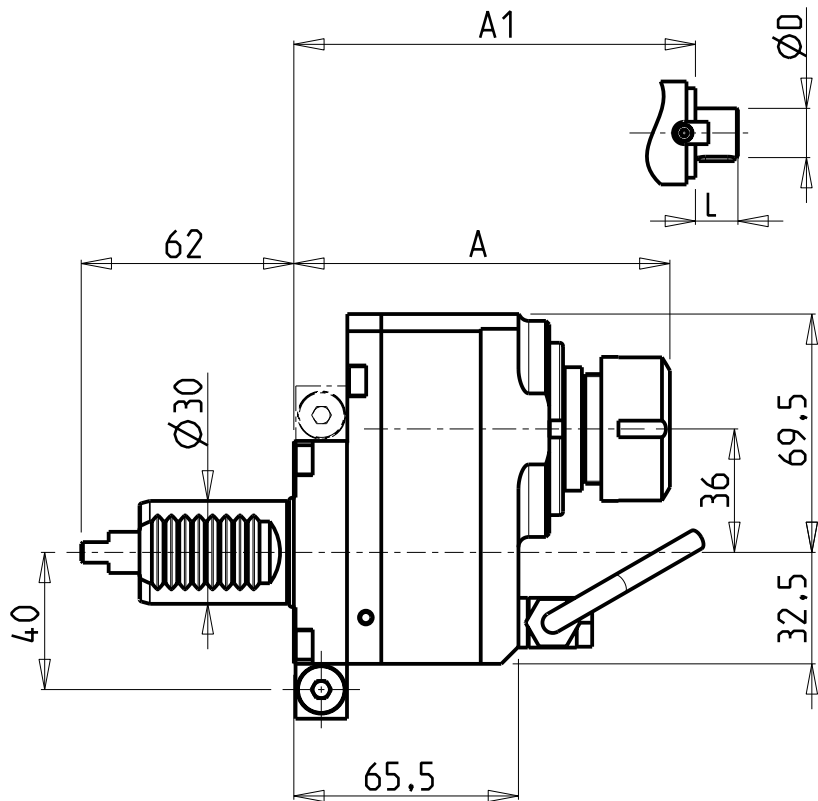
PRODUZIONE MODULI ROTANTI



PAGINA DUP014-1-05

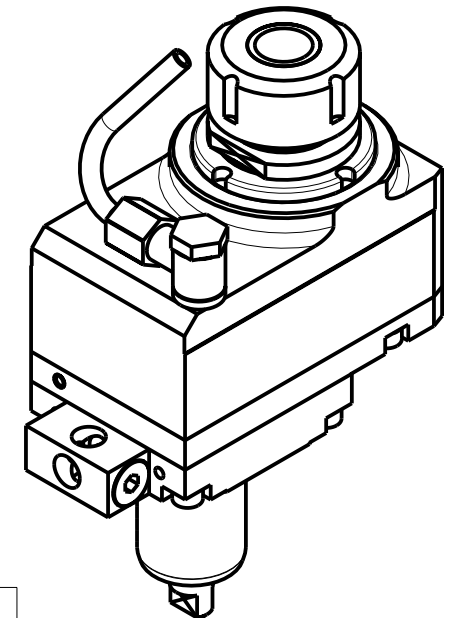
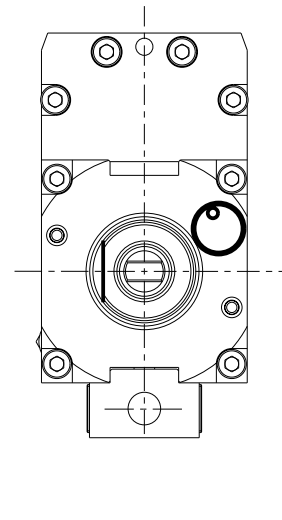
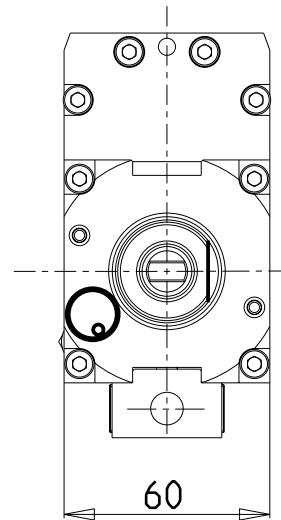
ATTENZIONE - ATTENTION - ACHTUNG

- Per lo smontaggio degli utensili utilizzare sempre la chiave di contrasto come indicato nel manuale d'uso.
- For disassembly of the tools use always the contrast key as mentioned in the user instructions.
- Fuer das Abmontieren der Werkzeuge immer den Gegenschlüssel benutzen wie in der Bedienungsanleitung erwahnt.



versione dx
right version
version rechts

versione sx
left version
version links

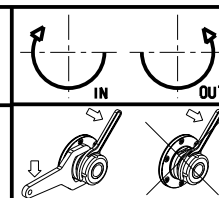


Cod. MT		Mandrino Spindle Spindel	i	RPM	Coppia Max Max Torque Max Drehmoment	Lubrificazione est. Ext. coolant Auslenkuehlung	A	A1	ØD	L	CHIAVI NON INCLUDE Keys not included Schluessel nicht einbegriffen	
versione dx right version version rechts	versione sx left version version links										CHUB36	CHSTER25
DUP0270325	DUP0271325	ER25	2:1	3000	45Nm	X	109.66	-	-	-	CHUB36	CHSTER25
DUP0270722	DUP0271722	Ø22x19	2:1	3000	45Nm	X	-	90.5	22	19	CHUB36	CH_VTCROCE_M10

- Chiave inclusa
- Key included
- Schluessel inbegriffen

DIPLOMATIC
VDI 30

MODULO MOTORIZZATO ASSIALE RIDOTTO I=2:1 DISASSATO 36mm VDI30
Axial geared-down I=2:1 driven tool re-directed by 36mm VDI30
Axial angetriebenes Werkzeug untersetzt I=2:1 achsversetzt um 36mm VDI30



M.T. srl
Via Casino Albini 480
Tel. 0541/956034-957884
Fax 0541/956341
47842 S. GIOVANNI IN M. (RN)
e-mail: mtma@mtmarchetti.com
http://www.mtmarchetti.com

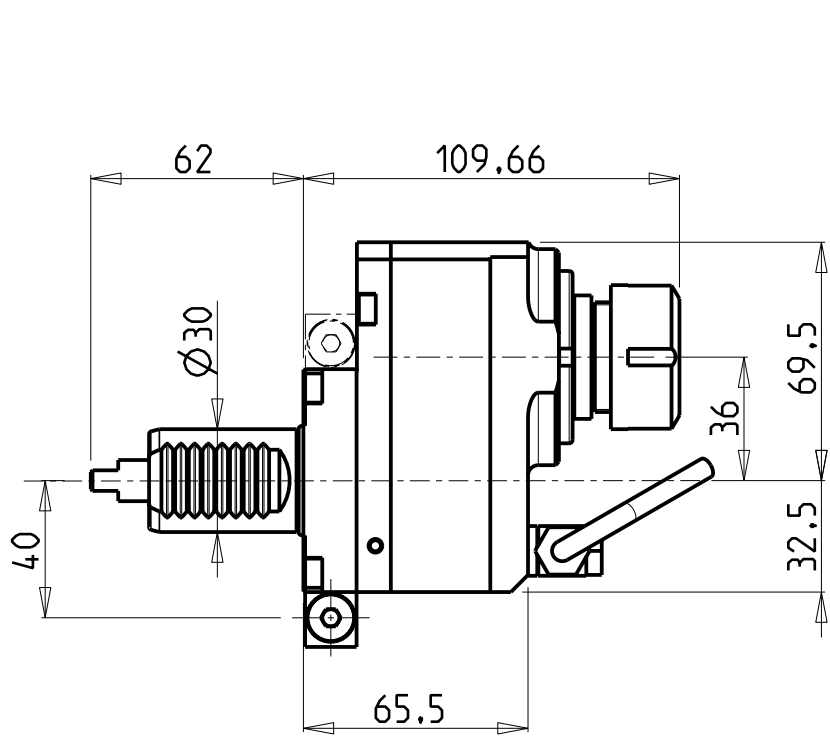
PRODUZIONE MODULI ROTANTI



PAGINA DUP014-1-30

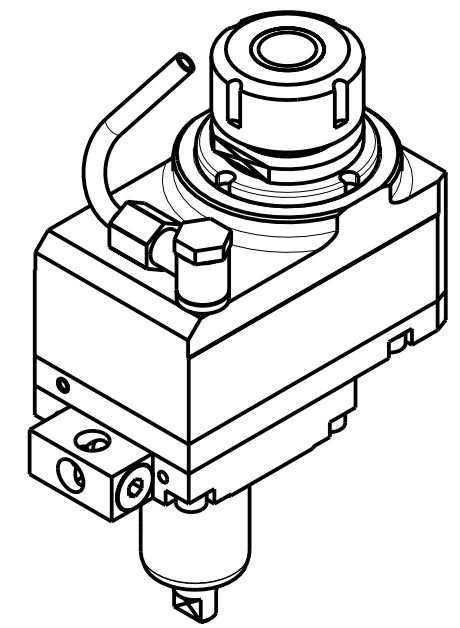
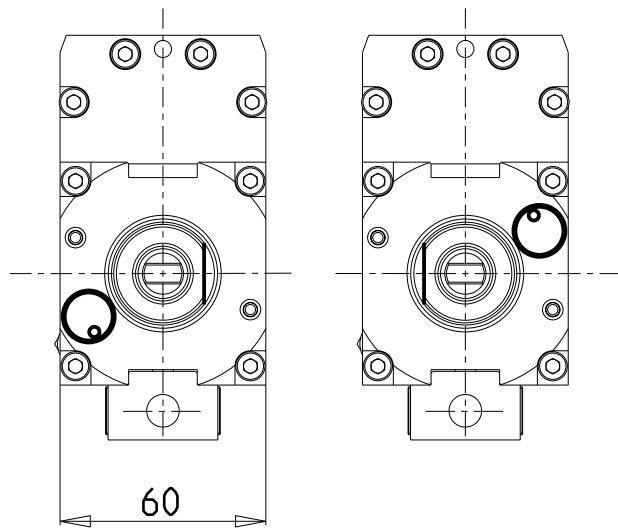
Subject to change without notice.

10/2018



versione dx
right version
version rechts

versione sx
left version
version links



ATTENZIONE - ATTENTION - ACHTUNG

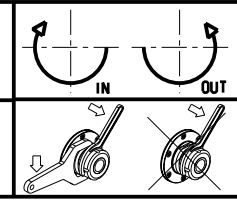
- Per lo smontaggio degli utensili utilizzare sempre la chiave di contrasto come indicato nel manuale d'uso.
- For disassembly of the tools use always the contrast key as mentioned in the user instructions.
- Fuer das Abmontieren der Werkzeuge immer den Gegenschlüssel benutzen wie in der Bedienungsanleitung erwaeht.

Cod. MT		Mandrino Spindle Spindel	I	RPM	Coppia Max Max Torque Max Drehmoment	Lubrificazione est. Ext. coolant Aussenkuehlung	CHIAVI NON INCLUDE Keys not included Schluessel nicht einbegriffen	
versione dx right version version rechts	versione sx left version version links						CHUB36	CHSTER25
DUP0270225	DUP0271225	ER25	1:2	12000	20Nm	X	CHUB36	CHSTER25

DIPLOMATIC VDI 30

MODULO MOTORIZZATO ASSIALE MOLTIPLICATO I=1:2 DISASSATO 36mm VDI30
Axial geared-up I=1:2 driven tool re-directed by 36mm VDI30
Axial angetriebenes Werkzeug uebersetzt I=1:2 achsversetzt um 36mm VDI30

Subject to change without notice.

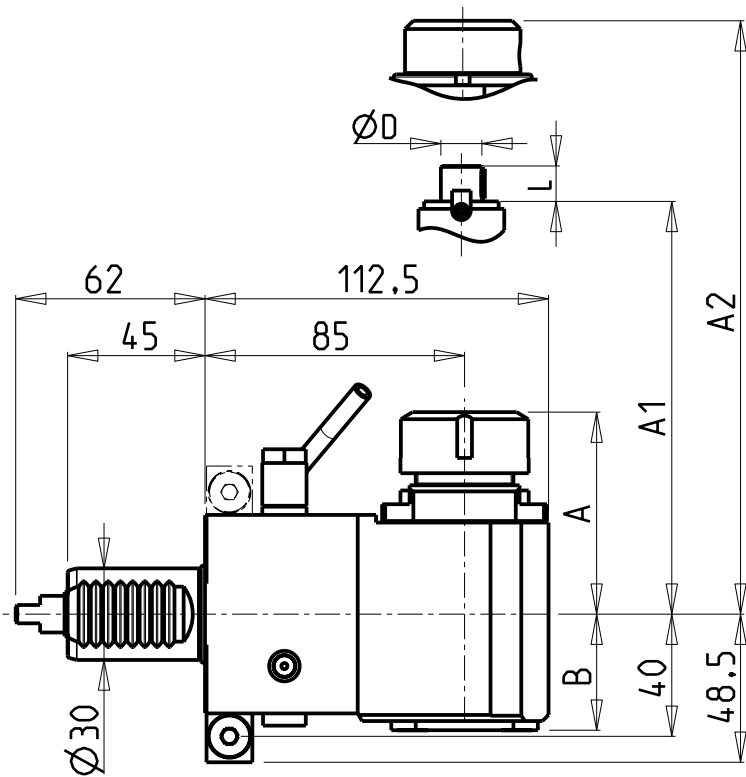


M.T. srl
Via Casino Albini 480
Tel. 0541/956034-957884
Fax 0541/956341
47842 S. GIOVANNI IN M. (RN)
e-mail: mtma@mtmarchetti.com
http://www.mtmarchetti.com

PRODUZIONE MODULI ROTANTI

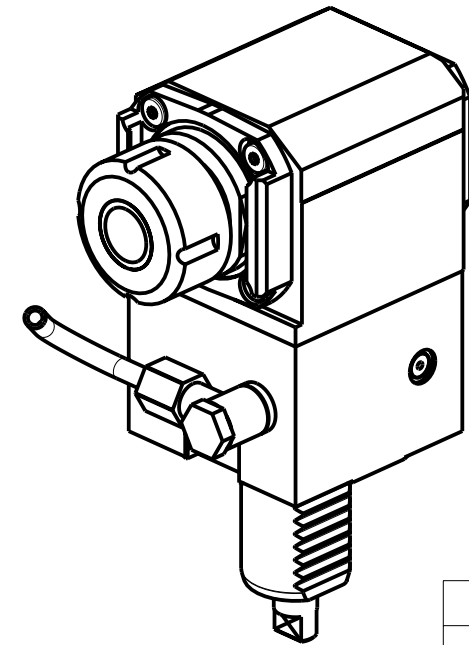
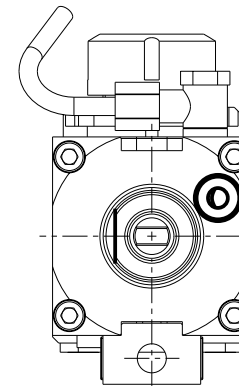
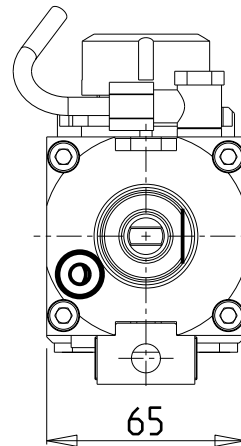


PAGINA DUP014-1-60



versione dx
right version
version rechts

versione sx
left version
version links



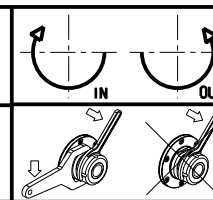
- Chiave inclusa
- Key included
- Schlüssel inbegriffen

Cod. MT		Mandrino Spindel Spindel	I	RPM	Coppia Max Max Torque Max Drehmoment	Lubrificazione int. Coolant through Innenkuehlung	Lubrificazione est. Ext. coolant Aussenkuehlung	ØD	L	A	A1	A2	B	CHIAVI NON INCLUDE Keys not included Schlüssel nicht einbegriffen	
versione dx right version version rechts	versione sx left version version links														
DUP0080125	DUP0081125	ER25	1:1	6000	32Nm	-	X	-	-	66.2	-	-	38	OKU0290009	CHSTER25
DUP0080225	DUP0081225	ER25	1:1	6000	32Nm	P=70bar	X	-	-	66.2	-	-	48	OKU0290009	CHSTER25
DUP0080316	DUP0081316	WELDON16	1:1	6000	32Nm	-	X	-	-	-	-	54.5	38	-	-
DUP0080416	DUP0081416	Ø16x17	1:1	6000	32Nm	-	X	16	17	-	45	-	38	OKU0290009	CH_VTCROCE_M08
DUP0080422	DUP0081422	Ø22x19	1:1	6000	32Nm	-	X	22	19	-	47	-	38	OKU0290009	CH_VTCROCE_M10

DIPLOMATIC
VDI 30

MODULO MOTORIZZATO RADIALE VDI30 H=85mm
Radial driven tool VDI30 H=85mm
Radial angetriebenes Werkzeug VDI30 H=85mm

Subject to change without notice.



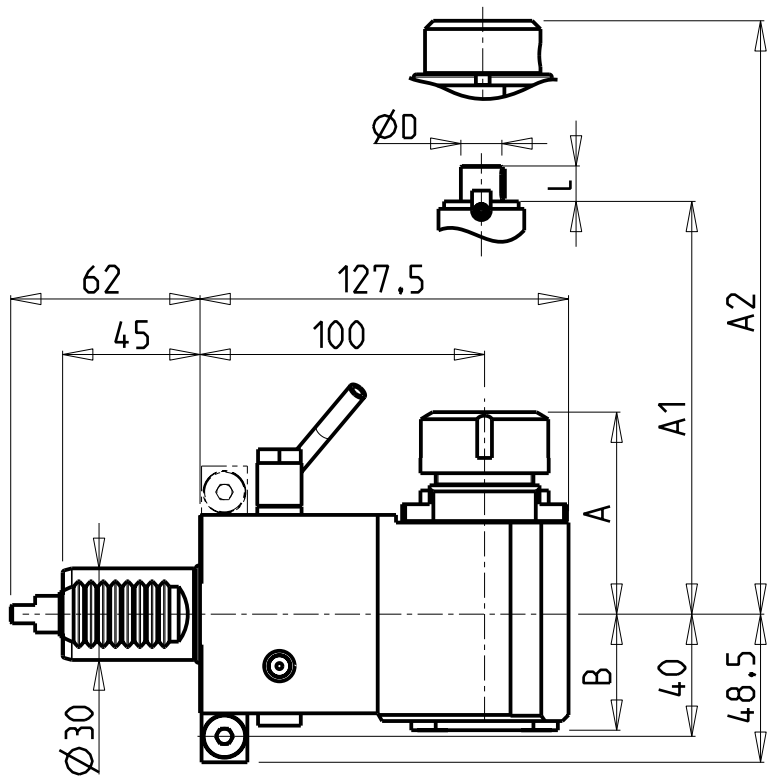
M.T. srl

Via Casino Albini 480
Tel. 0541/956034-957884
Fax 0541/956341
47842 S. GIOVANNI IN M. (RN)
e-mail: mtma@mtmarchetti.com
http://www.mtmarchetti.com

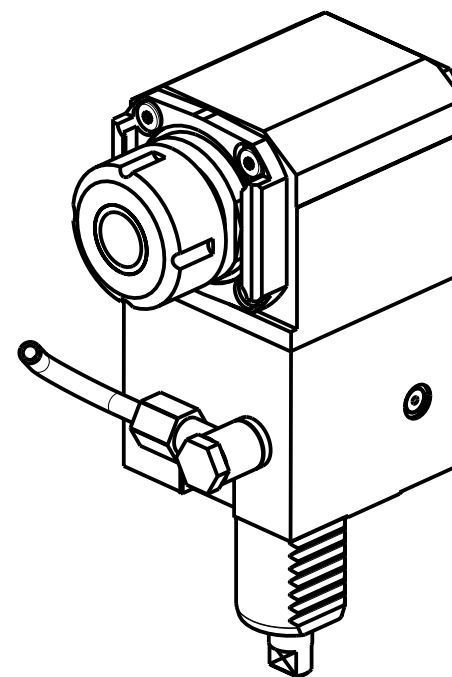
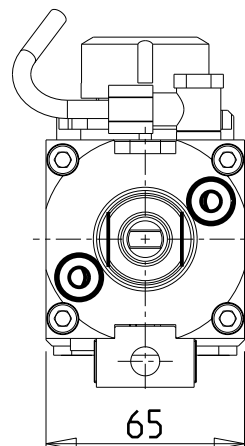
PRODUZIONE MODULI ROTANTI



PAGINA DUP015-1-00



versione universale
universal version
universal version



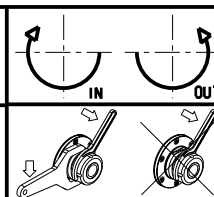
- Chiave inclusa
- Key included
- Schluessel inbegriffen

Cod. MT	Mandrino Spindle Spindel	I	RPM	Coppia Max Max Torque Max Drehmoment	Lubrificazione int. Coolant through Innenkuehlung	Lubrificazione est. Ext. coolant Aussenkuehlung	ØD	L	A	A1	A2	B	CHIAVI NON INCLUDE Keys not included Schluessel nicht einbegriffen	
DUP0522125	ER25	1:1	6000	32Nm	-	X	-	-	66.2	-	-	38	OKU0290009	CHSTER25
DUP0522225	ER25	1:1	6000	32Nm	P=70bar	X	-	-	66.2	-	-	48	OKU0290009	CHSTER25
DUP0522316	WELDON16	1:1	6000	32Nm	-	X	-	-	-	-	54.5	38	-	-
DUP0522416	Ø16x17	1:1	6000	32Nm	-	X	16	17	-	45	-	38	OKU0290009	CH_VTCROCE_M08
DUP0522422	Ø22x19	1:1	6000	32Nm	-	X	22	19	-	47	-	38	OKU0290009	CH_VTCROCE_M10

DIPLOMATIC
VDI 30

MODULO MOTORIZZATO RADIALE VDI30 H=100mm
Radial driven tool VDI30 H=100mm
Radial angetriebenes Werkzeug VDI30 H=100mm

Subject to change without notice.



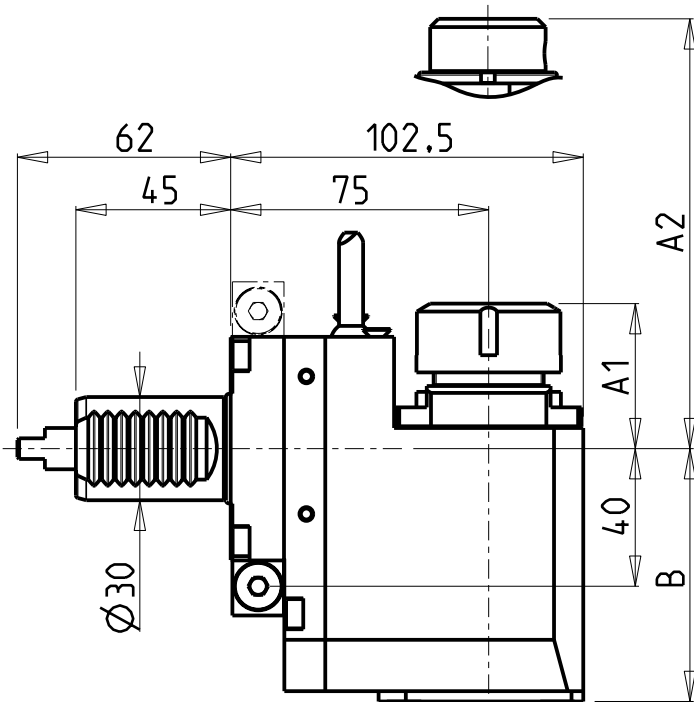
M.T. srl

Via Casino Albini 480
Tel. 0541/956034-957884
Fax 0541/956341
47842 S. GIOVANNI IN M. (RN)
e-mail: mtma@mtmarchetti.com
http://www.mtmarchetti.com

PRODUZIONE MODULI ROTANTI

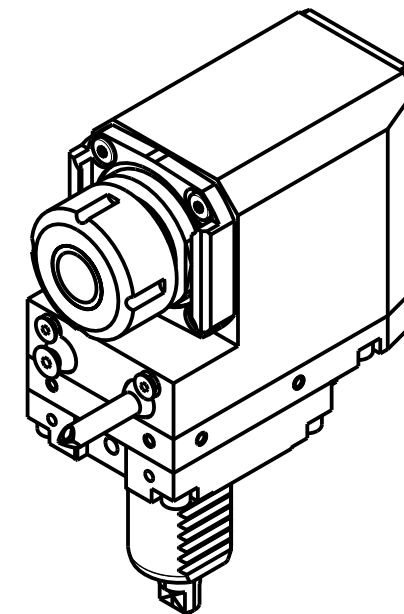
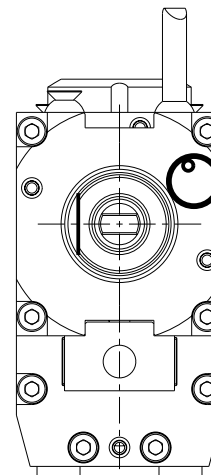
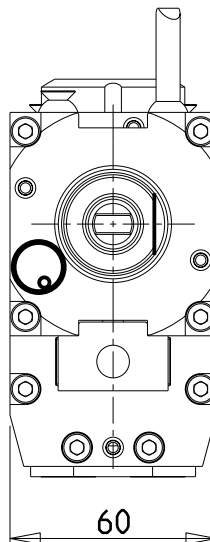


PAGINA DUP015-1-10



versione dx
right version
version rechts

versione sx
left version
version links

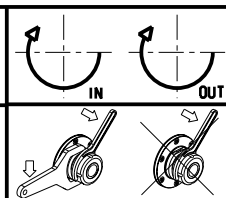


Cod. MT		Mandrino Spindle Spindel	I	RPM	Coppia Max Max Torque Max Drehmoment	Lubrificazione int. Coolant through Innenkuehlung	Lubrificazione est. Ext. coolant Aussenkuehlung	A1	A2	B	CHIAVI NON INCLUDE Keys not included Schlüssel nicht einbegriffen	
versione dx right version version rechts	versione sx left version version links											
DUP0090120	DUP0091120	ER20	1:1	6000	32Nm		X	41.16	-	73.5	-	CHSTER20 OKU0290009
DUP0090320	DUP0091320	ERA20	1:1	6000	32Nm		X	24.5	-	73.5	CHUB22	CHTAER20ZC OKU0290009
DUP0090420	DUP0091420	ERA20	1:1	6000	32Nm	P=70bar	X	24.5	-	83.5	CHUB22	CHTAER20ZC OKU0290009
DUP0090125	DUP0091125	ER25	1:1	6000	32Nm		X	42.16	-	73.5	-	CHSTER25 OKU0290009
DUP0090225	DUP0091225	ER25	1:1	6000	32Nm	P=70bar	X	42.16	-	83.5	-	CHSTER25 OKU0290009
DUP0090325	DUP0091325	ERA25	1:1	6000	32Nm		X	28.5	-	73.5	CHUB27	CHTAER25ZC OKU0290009
DUP0090425	DUP0091425	ERA25	1:1	6000	32Nm	P=70bar	X	28.5	-	83.5	CHUB27	CHTAER25ZC OKU0290009
DUP0090516	DUP0091516	WELDON16	1:1	6000	32Nm		X	-	27.5	73.5	-	-

- Chiave inclusa
- Key included
- Schlüssel inbegriffen

DIPLOMATIC
VDI 30

MODULO MOTORIZZATO RADIALE ARRETRATO VDI30 H=75mm
Radial rear-set driven tool VDI30 H=75mm
Radial angetriebenes Werkzeug zurueckversetzt VDI30 H=75mm



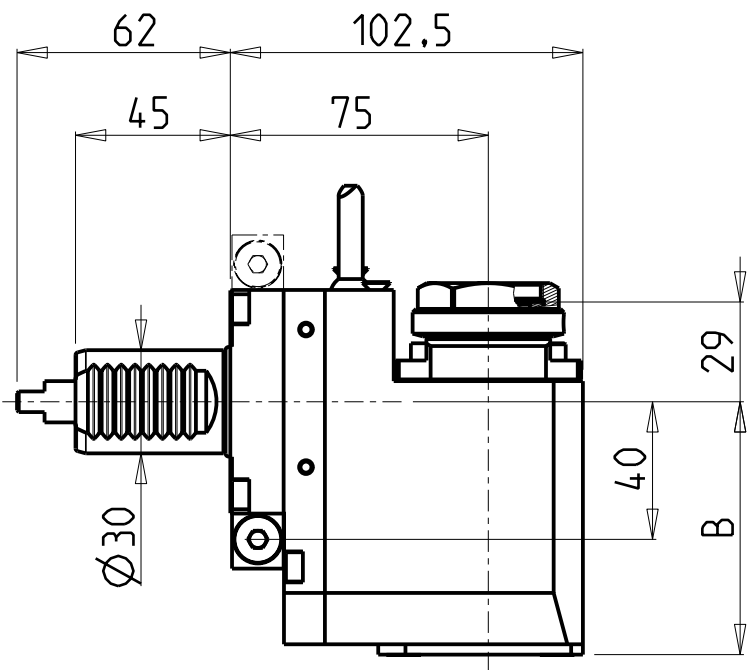
M.T. srl
Via Casino Albini 480
Tel. 0541/956034-957884
Fax 0541/956341
47842 S. GIOVANNI IN M. (RN)
e-mail: mtma@mtmarchetti.com
http://www.mtmarchetti.com

PRODUZIONE MODULI ROTANTI

PAGINA DUP015-1-60

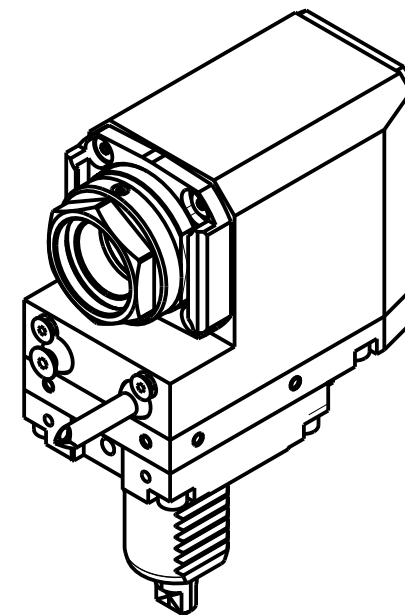
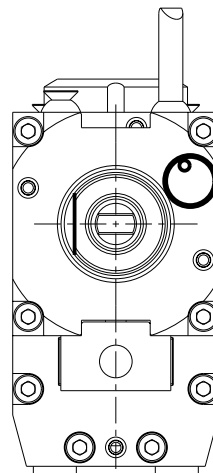
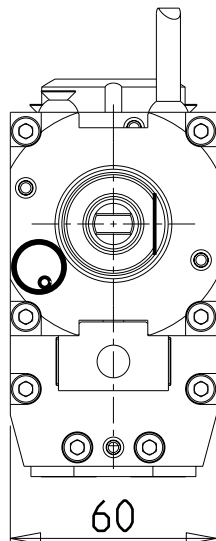
Subject to change without notice.

10/2018



versione dx
right version
version rechts

versione sx
left version
version links



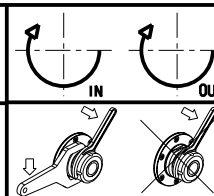
PER PORTAUTENSILI MODULARI MTSK-32 VEDI PAG. TBL300-1-32
FOR MTSK-32 QUICK CHANGE TOOLHOLDERS CLAMPINGS SEE PAGE TBL300-1-32
FUER MTSK-32 MODULARE WERKZEUGAUFNAHMEN SIEHE SEITE TBL300-1-32

- Chiave inclusa
- Key included
- Schlüssel inbegriffen

Cod. MT		Mandrino Spindle Spindel	i	RPM	Coppia Max Max Torque Max Drehmoment	Lubrificazione int. Coolant through Innenkuehlung	Lubrificazione est. Ext. coolant Aussenkuehlung	B	CHIAVI NON INCLUSE Keys not included Schlüssel nicht einbegriffen	
versione dx right version version rechts	versione sx left version version links								C HUB36	OKU0290009 ■
DUP0400132	DUP0401132	MTSK-32	1:1	6000	32Nm	-	X	73.5	C HUB36	OKU0290009 ■
DUP0400232	DUP0401232	MTSK-32	1:1	6000	32Nm	P=70bar	X	83.5	C HUB36	OKU0290009 ■

DIPLOMATIC
VDI 30

MODULO MOTORIZZATO RADIALE ARRETRATO MTSK VDI30 H=75mm
Radial MTSK rear-set driven tool VDI30 H=75mm
Radial MTSK angetriebenes Werkzeug zurueckversetzt VDI30 H=75mm



M.T. srl
Via Casino Albini 480
Tel. 0541/956034-957884
Fax 0541/956341
47842 S. GIOVANNI IN M. (RN)
e-mail: mtma@mtmarchetti.com
http://www.mtmarchetti.com

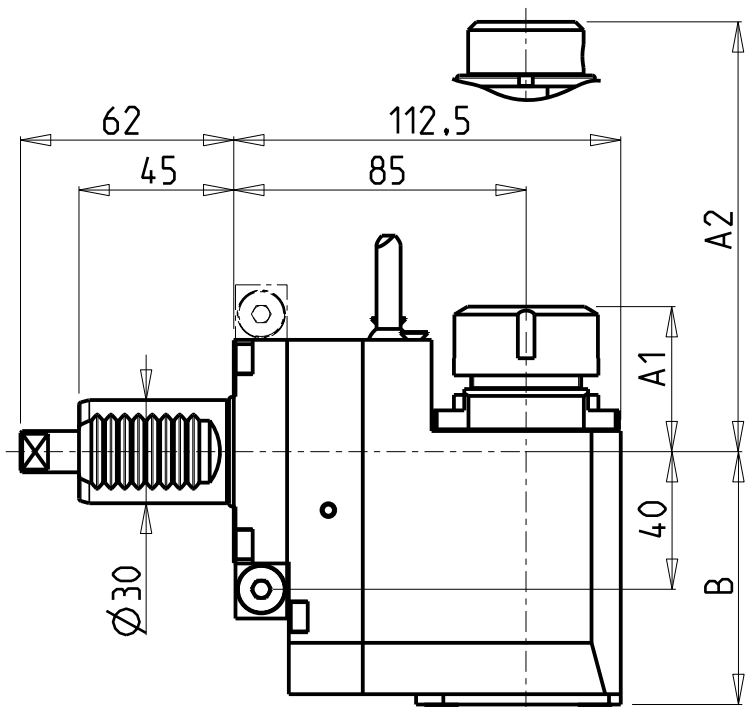
PRODUZIONE MODULI ROTANTI



PAGINA DUP015-1-60-K

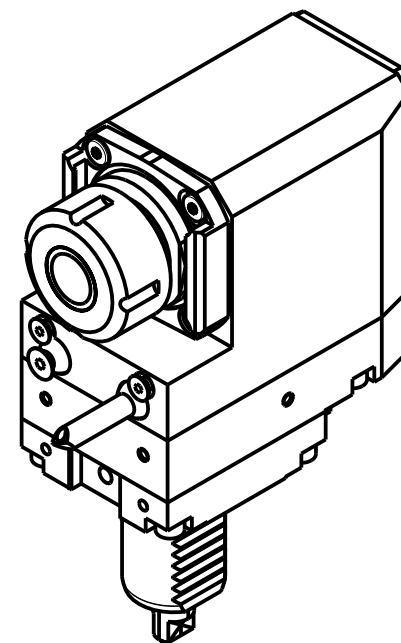
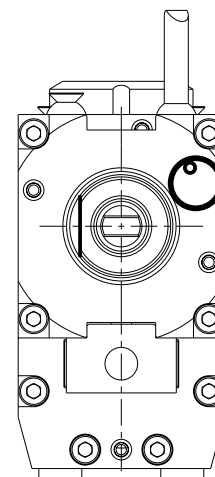
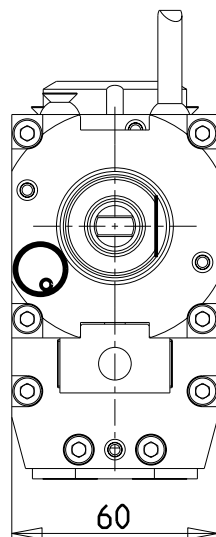
Subject to change without notice.

10/2018



versione dx
right version
version rechts

versione sx
left version
version links



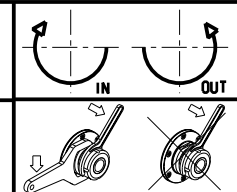
- Chiave inclusa
- Key included
- Schlüssel inbegriffen

Cod. MT		Mandrino Spindle Spindel	I	RPM	Coppia Max Max Torque Max Drehmoment	Lubrificazione int. Coolant through Innenkuehlung	Lubrificazione est. Ext. coolant Aussenkuehlung	A1	A2	B	CHIAVI NON INCLUDE Keys not included Schlüssel nicht einbegriffen	
versione dx right version version rechts	versione sx left version version links											
DUP0100120	DUP0101120	ER20	1:1	6000	32Nm	-	X	41.16	-	73.5	-	CHSTER20 OKU0290009
DUP0100320	DUP0101320	ERA20	1:1	6000	32Nm	-	X	24.5	-	73.5	CHUB22	CHTAER20ZC OKU0290009
DUP0100420	DUP0101420	ERA20	1:1	6000	32Nm	P=70bar	X	24.5	-	83.5	CHUB22	CHTAER20ZC OKU0290009
DUP0100125	DUP0101125	ER25	1:1	6000	32Nm	-	X	42.16	-	73.5	-	CHSTER25 OKU0290009
DUP0100225	DUP0101225	ER25	1:1	6000	32Nm	P=70bar	X	42.16	-	83.5	-	CHSTER25 OKU0290009
DUP0100325	DUP0101325	ERA25	1:1	6000	32Nm	-	X	28.5	-	73.5	CHUB27	CHTAER25ZC OKU0290009
DUP0100425	DUP0101425	ERA25	1:1	6000	32Nm	P=70bar	X	28.5	-	83.5	CHUB27	CHTAER25ZC OKU0290009
DUP0100516	DUP0101516	WELDON16	1:1	6000	32Nm	-	X	-	27.5	73.5	-	-

DIPLOMATIC
VDI 30

MODULO MOTORIZZATO RADIALE ARRETRATO VDI30 H=85mm
Radial rear-set driven tool VDI30 H=85mm
Radial angetriebenes Werkzeug zurueckversetzt VDI30 H=85mm

Subject to change without notice.

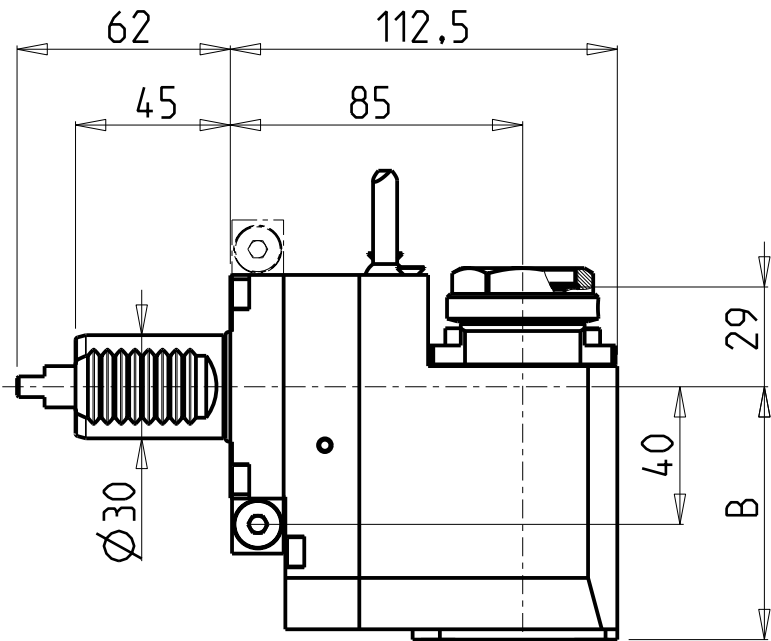


M.T. srl
Via Casino Albini 480
Tel. 0541/956034-957884
Fax 0541/956341
47842 S. GIOVANNI IN M. (RN)
e-mail: mtma@mtmarchetti.com
http://www.mtmarchetti.com

PRODUZIONE MODULI ROTANTI

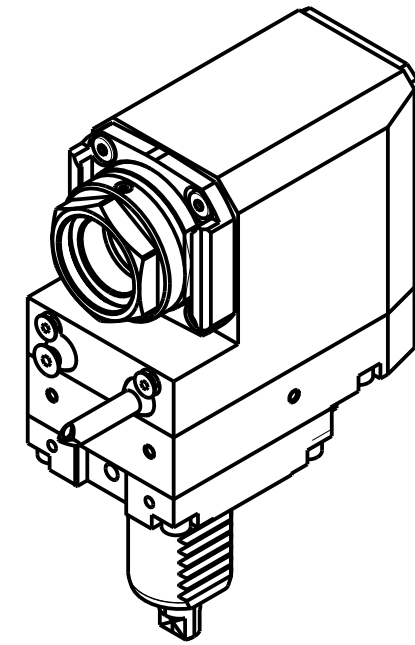
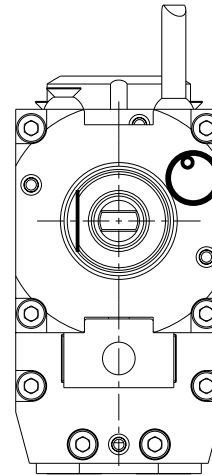
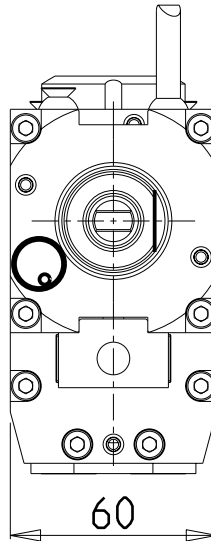


PAGINA DUP015-1-70



versione dx
right version
version rechts

versione sx
left version
version links

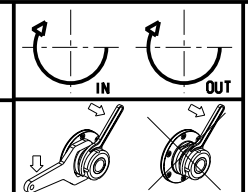


PER PORTAUTENSILI MODULARI MTSK-32 VEDI PAG. TBL300-1-32
FOR MTSK-32 QUICK CHANGE TOOLHOLDERS CLAMPINGS SEE PAGE TBL300-1-32
FUER MTSK-32 MODULARE WERKZEUGAUFNAHMEN SIEHE SEITE TBL300-1-32

- Chiave inclusa
- Key included
- Schlüssel inbegriffen

Cod. MT		Mandrino Spindle Spindel	i	RPM	Coppia Max Max Torque Max Drehmoment	Lubrificazione int. Coolant through Innenkuehlung	Lubrificazione est. Ext. coolant Aussenkuehlung	B	CHIAVI NON INCLUSE Keys not included Schlüssel nicht einbegriffen	
versione dx right version version rechts	versione sx left version version links								C HUB36	OKU0290009 ■
DUP0410132	DUP0411132	MTSK-32	1:1	6000	32Nm	-	X	73.5	C HUB36	OKU0290009 ■
DUP0410232	DUP0411232	MTSK-32	1:1	6000	32Nm	P=70bar	X	83.5	C HUB36	OKU0290009 ■

DIPLOMATIC
VDI 30
MODULO MOTORIZZATO RADIALE ARRETRATO MTSK VDI30 H=85mm
Radial MTSK rear-set driven tool VDI30 H=85mm
Radial MTSK angetriebenes Werkzeug zurueckversetzt VDI30 H=85mm



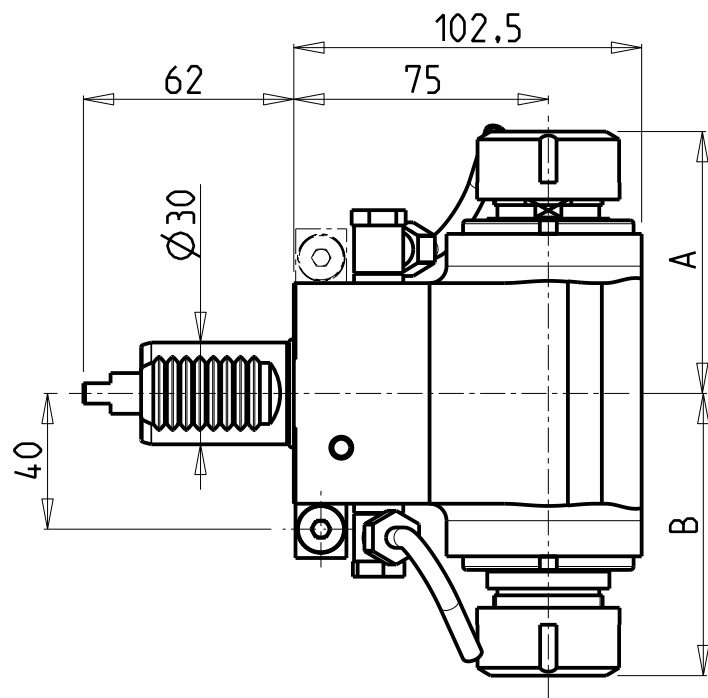
M.T. srl
Via Casino Albini 480
Tel. 0541/956034-957884
Fax 0541/956341
47842 S. GIOVANNI IN M. (RN)
e-mail: mtma@mtmarchetti.com
http://www.mtmarchetti.com

PRODUZIONE MODULI ROTANTI



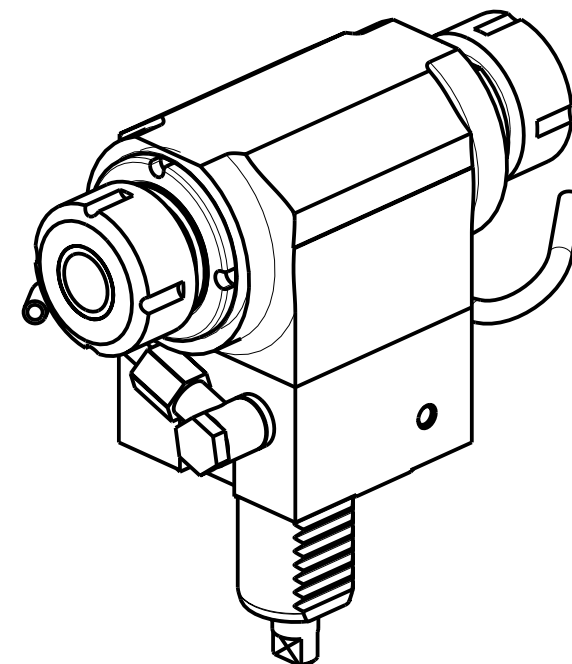
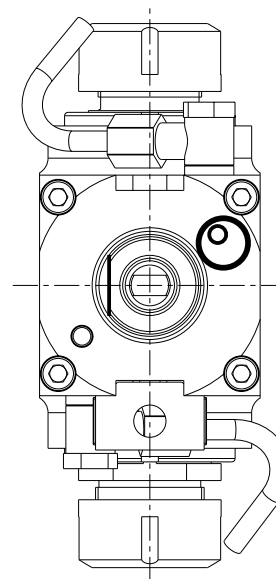
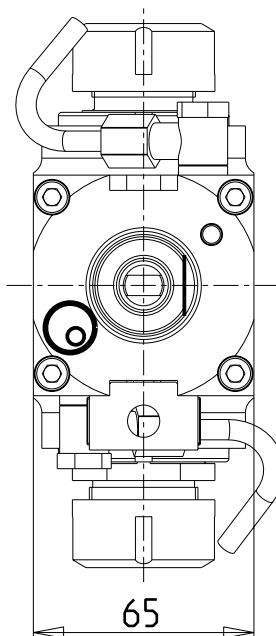
PAGINA DUP015-1-70-K

Subject to change without notice.



versione dx
right version
version rechts

versione sx
left version
version links



ATTENZIONE - ATTENTION - ACHTUNG

- Per lo smontaggio degli utensili utilizzare sempre la chiave di contrasto come indicato nel manuale d'uso.
- For disassembly of the tools use always the contrast key as mentioned in the user instructions.
- Fuer das Abmontieren der Werkzeuge immer den Gegenschluessel benutzen wie in der Bedienungsanleitung erwaeht.

Cod. MT		Mandrino Spindle Spindel	I	RPM	Coppia Max Max Torque Max Drehmoment	Lubrificazione est. Ext. coolant Aussenkuehlung	A	B	CHIAVI NON INCLUSE Keys not included Schluessel nicht einbegriffen		
versione dx right version version rechts	versione sx left version version links										
DUP0330220	DUP0331220	ER20-ER20	1:1	6000	32Nm	X	81.2	82.2	-	CHUB38	CHSTER20
DUP0330225	DUP0331225	ER25-ER25	1:1	6000	32Nm	X	77.2	83.2	CHUB29	CHUB36	CHSTER25

DIPLOMATIC
VDI 30

MODULO MOTORIZZATO RADIALE BISPORGENTE VDI30 H=75mm
Radial opposite face twin driven tool VDI30 H=75mm
Radial angetriebenes Werkzeug halb vorspringend VDI30 H=75mm

M.T. srl

Via Casino Albini 480
Tel. 0541/956034-957884
Fax 0541/956341
47842 S. GIOVANNI IN M. (RN)
e-mail: mtma@mtmarchetti.com
http://www.mtmarchetti.com

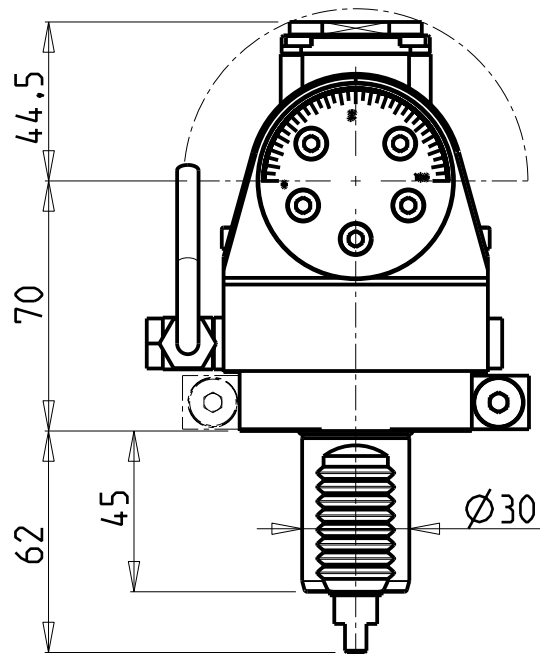
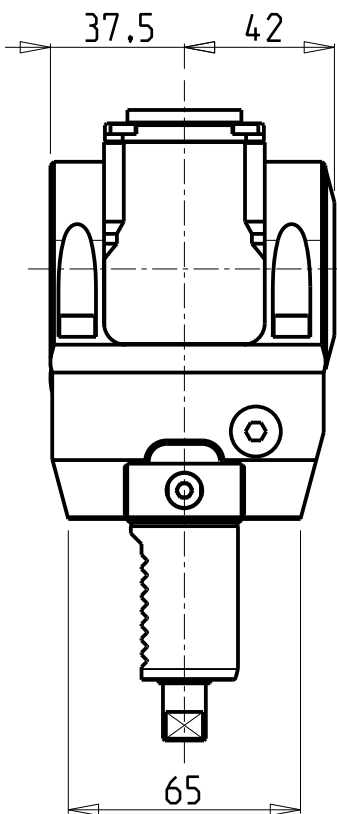
PRODUZIONE MODULI ROTANTI



PAGINA DUP016-1-00

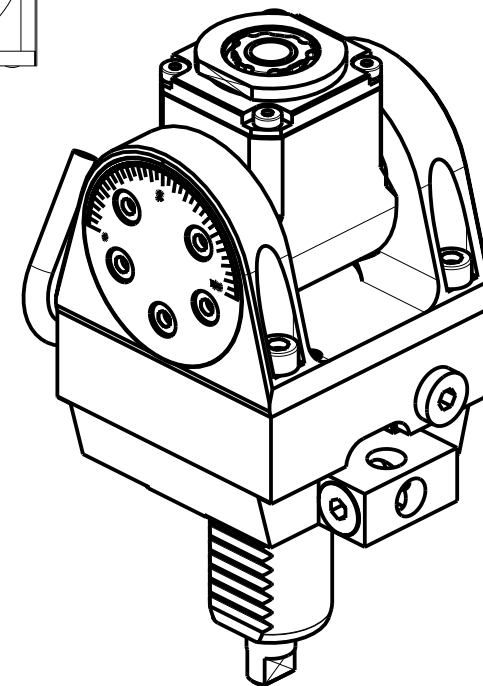
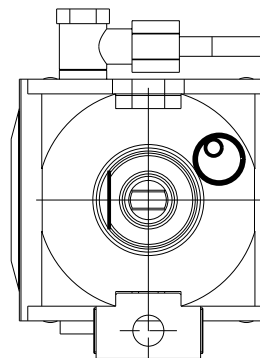
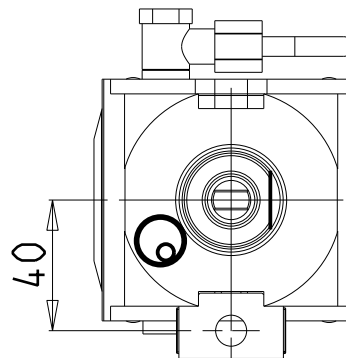
Subject to change without notice.

10/2018



versione dx
right version
version rechts

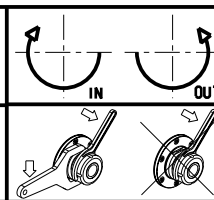
versione sx
left version
version links



Cod. MT		Mandrino Spindle Spindel	I	RPM	Coppia Max Max Torque Max Drehmoment	Lubrificazione est. Ext. coolant Aussenkuehlung	CHIAVI INCLUSE Keys included Schlüssel inbegriffen		
versione dx right version version rechts	versione sx left version version links						C HUB19_SP3	C HUB32	C HTAER16ZC
DUP0230116	DUP0231116	ERA16	1:1	6000	20Nm	X			

DIPLOMATIC
VDI 30

MODULO MOTORIZZATO ORIENTABILE ±90° VDI30
±90° adjustable angle driven tool VDI30
Angetriebenes Werkzeug schwenkbar ±90° VDI30



M.T. srl
Via Casino Albini 480
Tel. 0541/956034-957884
Fax 0541/956341
47842 S. GIOVANNI IN M. (RN)
e-mail: mtma@mtmarchetti.com
http://www.mtmarchetti.com

PRODUZIONE MODULI ROTANTI



PAGINA DUP335-1-00

Subject to change without notice.

10/2018