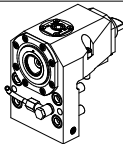
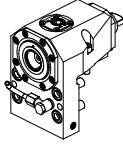
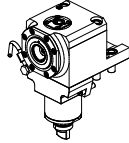
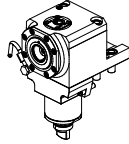
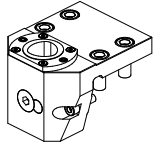
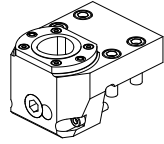

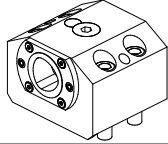
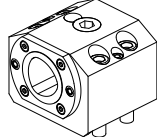

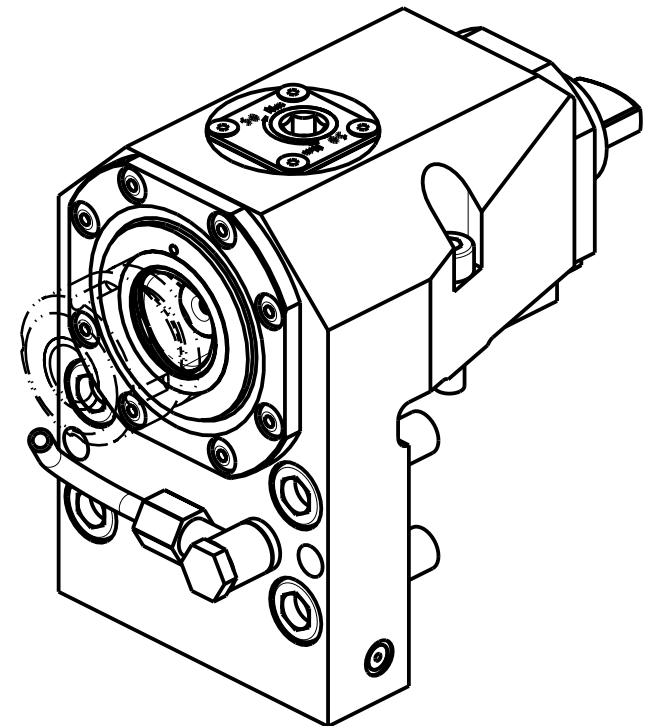
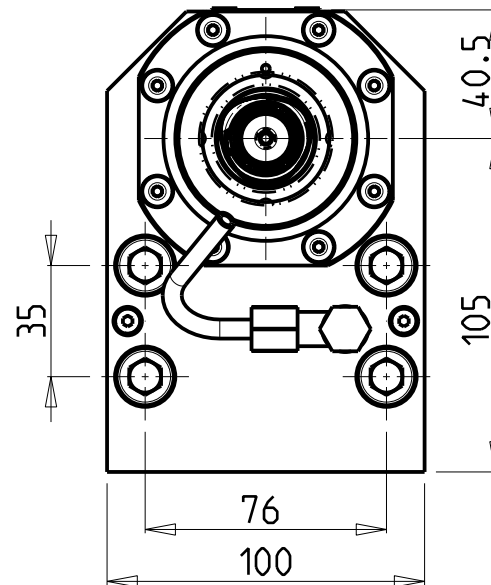
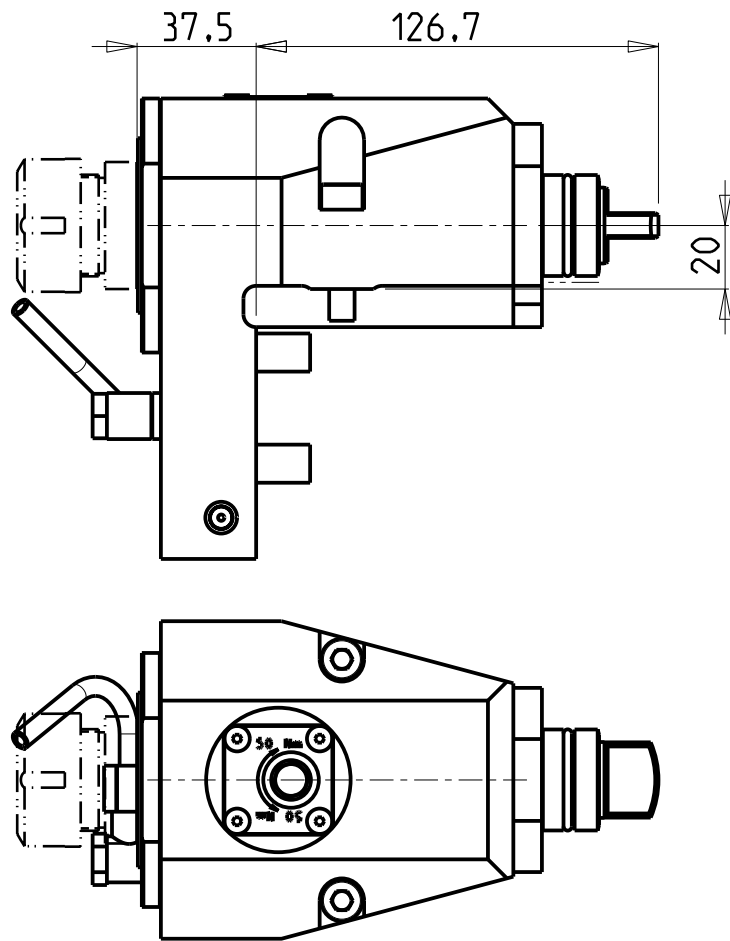


		PAGINA Page Seite
<p>MODULO MOTORIZZATO RADIALE MT CAPTO Radial driven tool MT CAPTO Radial angetriebenes Werkzeug MT CAPTO</p>		CMZ010.B.40
<p>MODULO MOTORIZZATO RADIALE 12000 RPM MT CAPTO Radial driven tool 12000 rpm MT CAPTO Radial angetriebenes Werkzeug 12000 rpm MT CAPTO</p>		CMZ010.B.41
<p>MODULO MOTORIZZATO ASSIALE MT CAPTO Axial driven tool MT CAPTO Axial angetriebenes Werkzeug MT CAPTO</p>		CMZ150.B.40
<p>MODULO MOTORIZZATO ASSIALE 12000 RPM MT CAPTO Axial driven tool 12000 rpm MT CAPTO Axial angetriebenes Werkzeug 12000 rpm MT CAPTO</p>		CMZ150.B.41
<p>PORTAUTENSILE RADIALE SINGOLO ARRETRATO MT CAPTO Radial single rear-set static tool MT CAPTO Radial Single-Werkzeughalter zurueckversetzt MT CAPTO</p>		CMZ430.B.40
<p>PORTAUTENSILE RADIALE SINGOLO ARRETRATO MT CAPTO Radial single rear-set static tool MT CAPTO Radial Single-Werkzeughalter zurueckversetzt MT CAPTO</p>		CMZ430.B.50 
<p>PORTAUTENSILE ASSIALE SINGOLO MT CAPTO Axial single static tool MT CAPTO Axial Single-Werkzeughalter MT CAPTO</p>		CMZ550.B.40
<p>PORTAUTENSILE ASSIALE SINGOLO MT CAPTO Axial single static tool MT CAPTO Axial Single-Werkzeughalter MT CAPTO</p>		CMZ550.B.50 



Cod. MT	TAGLIA Size Masse	I	RPM	Coppia Max Max Torque Max Drehmoment	Lubr.esterna Ext. coolant Aussenkuehlung
MSL0060140	C4	1:1	6000	70Nm	X

CMZ

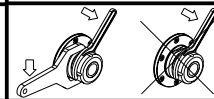
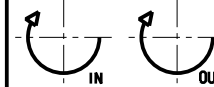
MOD: TL25AM/AMS/BM/BMS - TL20M/MS/TM - TA15-20-25-30M/Y/MS/MY/YS - TC15-20-25-30-35M/Y/MS/MY/YS
 TD15-20-25-30-35-45-55M/Y/MS/MY/YS

MODULO MOTORIZZATO RADIALE MT CAPTO

Radial driven tool MT CAPTO

Radial angetriebenes Werkzeug MT CAPTO

Subject to change without notice.



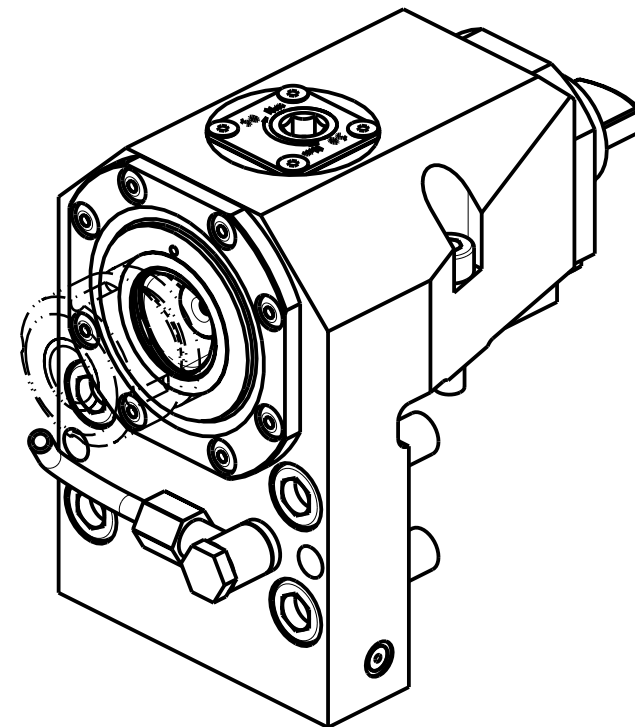
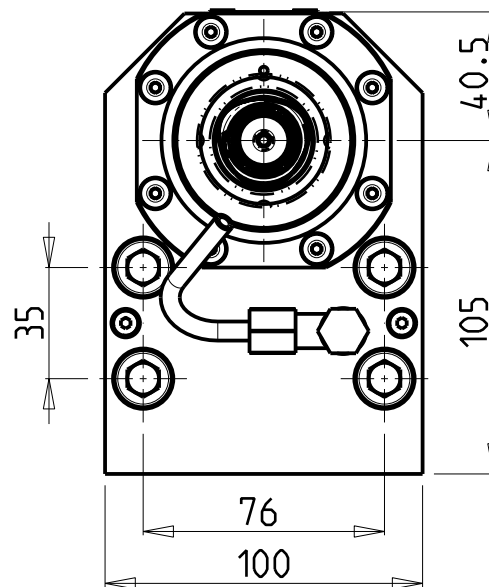
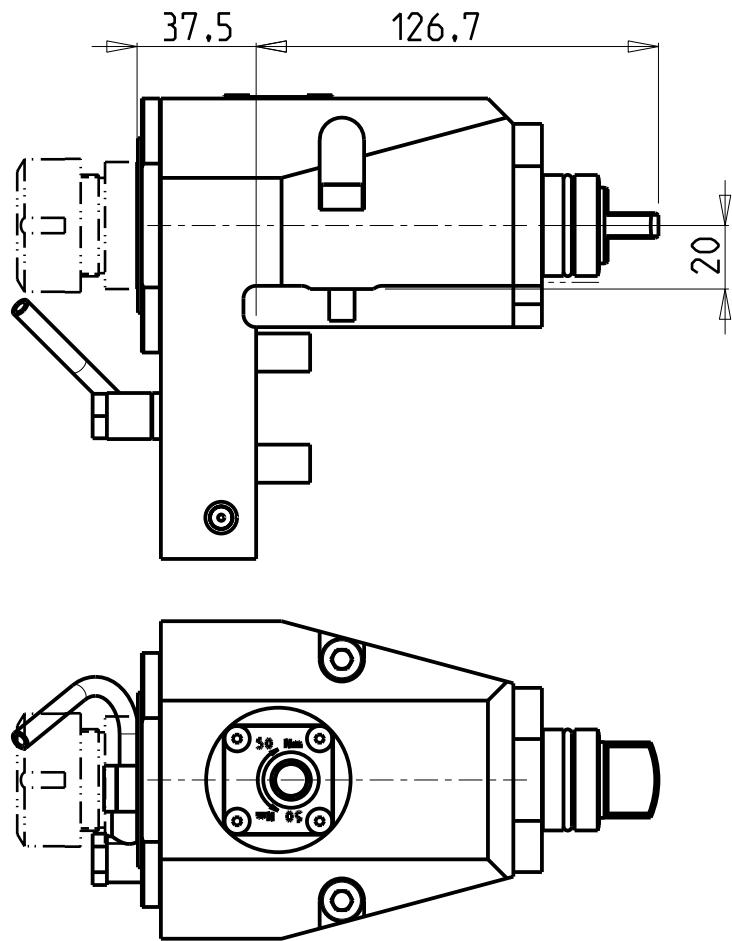
M.T. srl

Via Casino Albini 480
 Tel. 0541/956034-957884
 Fax 0541/956341
 47842 S. GIOVANNI IN M. (RN)
 e-mail: mtma@mtmarchetti.com
 http://www.mtmarchetti.com

PRODUZIONE MODULI ROTANTI



PAGINA CMZ010-B-40



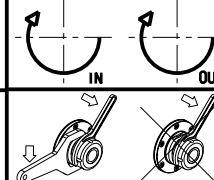
Cod. MT	TAGLIA Size Masse	I	RPM	Coppia Max Max Torque Max Drehmoment	Lubr.esterna Ext. coolant Aussenkuehlung
MSL0320140	C4	1:1	12000	70Nm	X

CMZ

MOD: TL25AM/AMS/BM/BMS - TL20M/MS/TM - TA15-20-25-30M/Y/MS/MY/YS - TC15-20-25-30-35M/Y/MS/MY/YS
 TD15-20-25-30-35-45-55M/Y/MS/MY/YS

MODULO MOTORIZZATO RADIALE 12000 RPM MT CAPTO
 Radial driven tool 12000 rpm MT CAPTO
 Radial angetriebenes Werkzeug 12000 rpm MT CAPTO

Subject to change without notice.



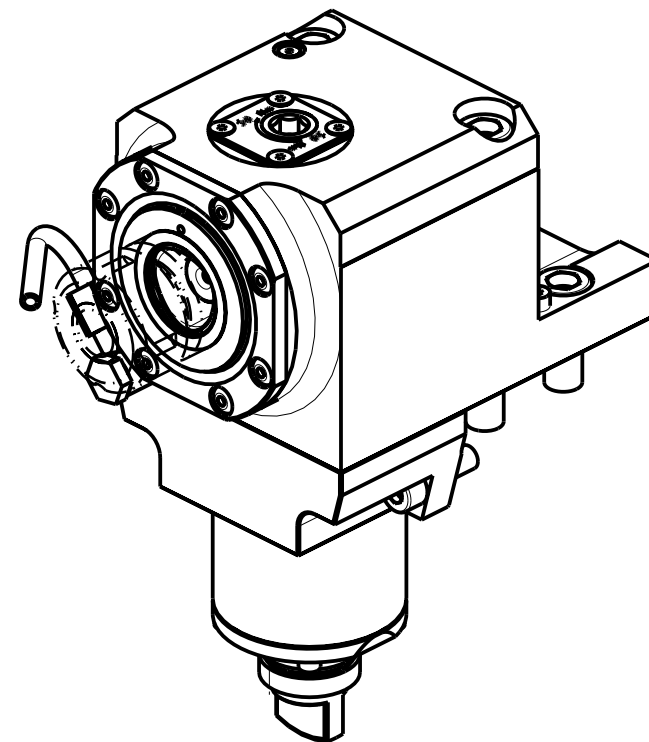
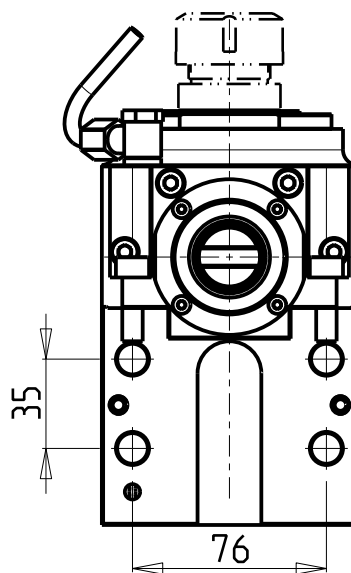
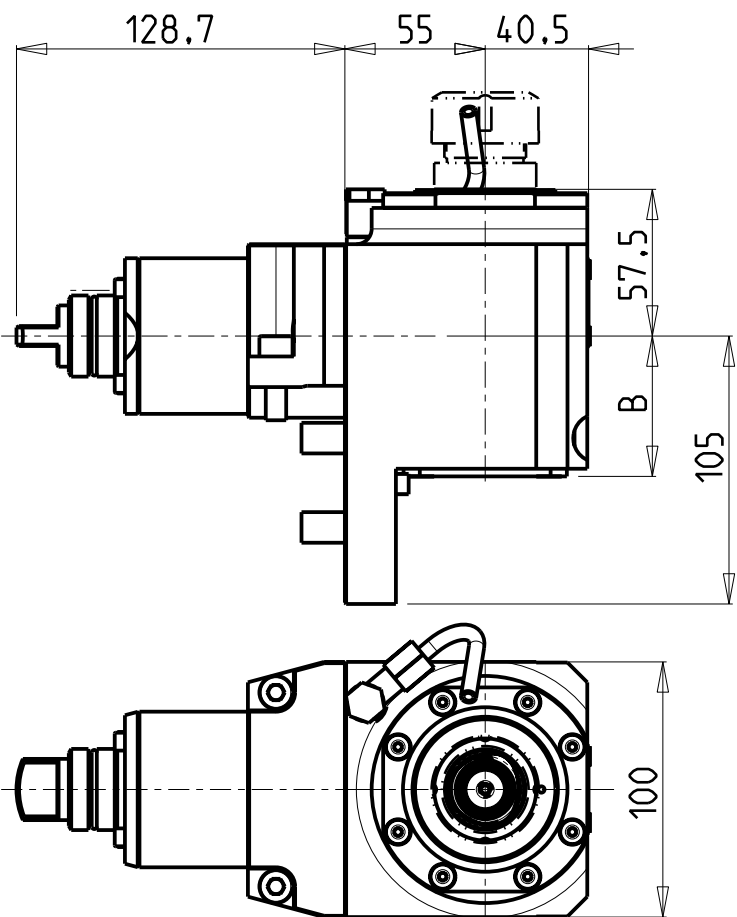
M.T. srl

Via Casino Albini 480
 Tel. 0541/956034-957884
 Fax 0541/956341
 47842 S. GIOVANNI IN M. (RN)
 e-mail: mtma@mtmarchetti.com
 http://www.mtmarchetti.com

PRODUZIONE MODULI ROTANTI



PAGINA CMZ010-B-41



Cod. MT	TAGLIA Size Masse	I	RPM	Coppia Max Max Torque Max Drehmoment	Lubr.interna Coolant through Innenkuehlung	Lubr.esterna Ext. coolant Aussenkuehlung	B
MSL0050140	C4	1:1	6000	70Nm		X	55
MSL0050240	C4	1:1	6000	70Nm	P=70bar	X	68.5

CMZ

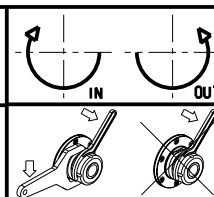
MOD: TL25AM/AMS/BM/BMS - TL20M/MS/TM - TA15-20-25-30M/Y/MS/MY/YS - TC15-20-25-30-35M/Y/MS/MY/YS
TD15-20-25-30-35-45-55M/Y/MS/MY/YS

MODULO MOTORIZZATO ASSIALE MT CAPTO

Axial driven tool MT CAPTO

Axial angetriebenes Werkzeug MT CAPTO

Subject to change without notice.



M.T. srl

Via Casino Albini 480
Tel. 0541/956034-957884
Fax 0541/956341

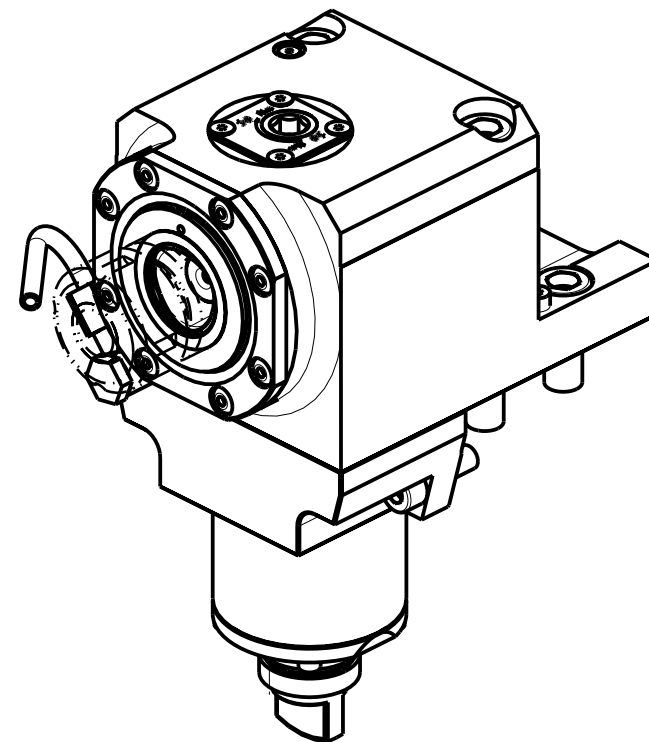
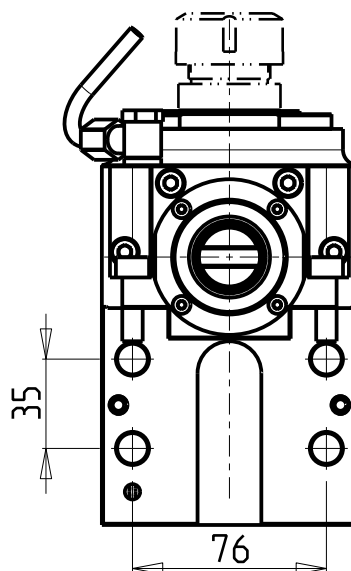
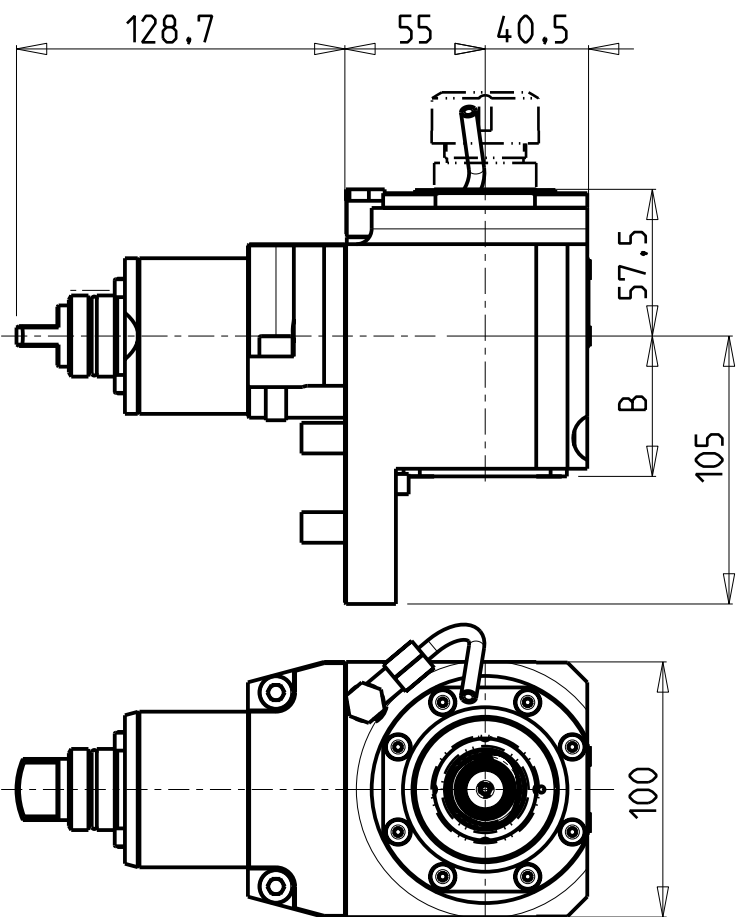
47842 S. GIOVANNI IN M. (RN)
e-mail: mtma@mtmarchetti.com
http://www.mtmarchetti.com

PRODUZIONE MODULI ROTANTI



PAGINA CMZ150-B-40

10/2018



Cod. MT	TAGLIA Size Masse	I	RPM	Coppia Max Max Torque Max Drehmoment	Lubr.interna Coolant through Innenkuehlung	Lubr.esterna Ext. coolant Aussenkuehlung	B
MSL0310140	C4	1:1	12000	70Nm	-	X	55
MSL0310240	C4	1:1	12000	70Nm	P=70bar	X	67.5

CMZ

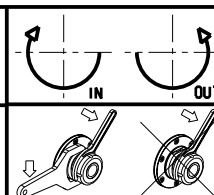
MOD: TL25AM/AMS/BM/BMS - TL20M/MS/TM - TA15-20-25-30M/Y/MS/MY/YS - TC15-20-25-30-35M/Y/MS/MY/YS
TD15-20-25-30-35-45-55M/Y/MS/MY/YS

MODULO MOTORIZZATO ASSIALE 12000 RPM MT CAPTO

Axial driven tool 12000 rpm MT CAPTO

Axial angetriebenes Werkzeug 12000 rpm MT CAPTO

Subject to change without notice.



M.T. srl

Via Casino Albini 480
Tel. 0541/956034-957884
Fax 0541/956341

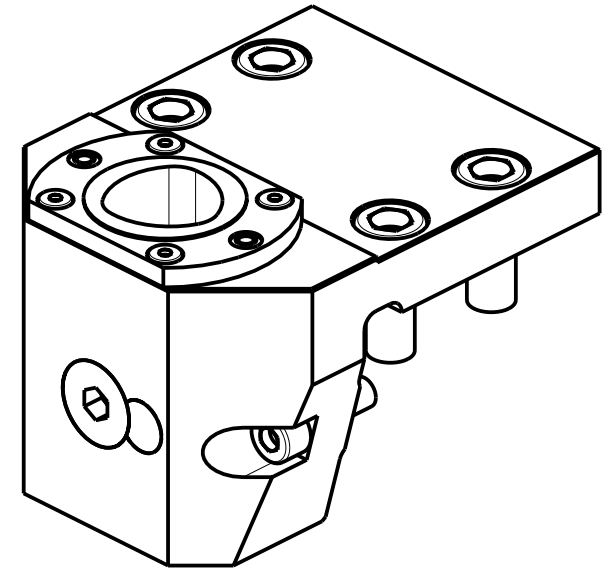
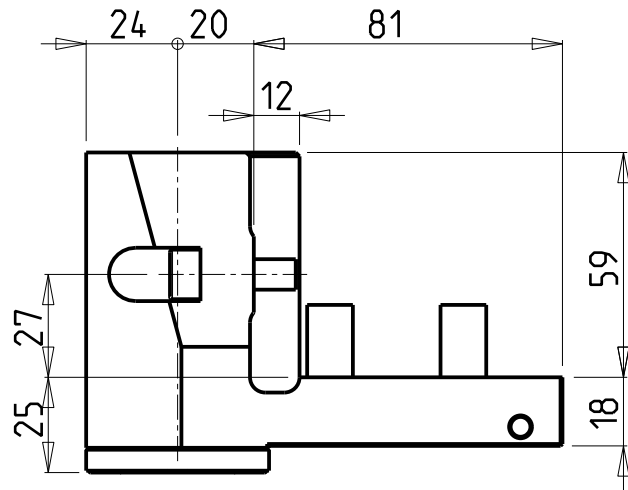
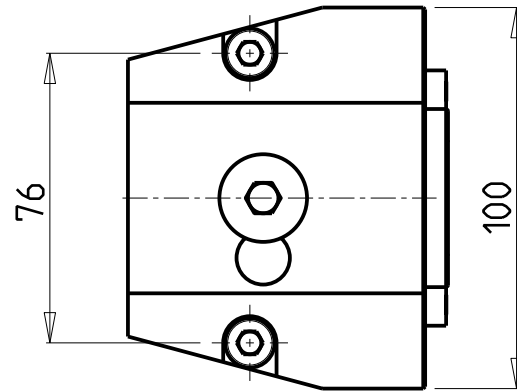
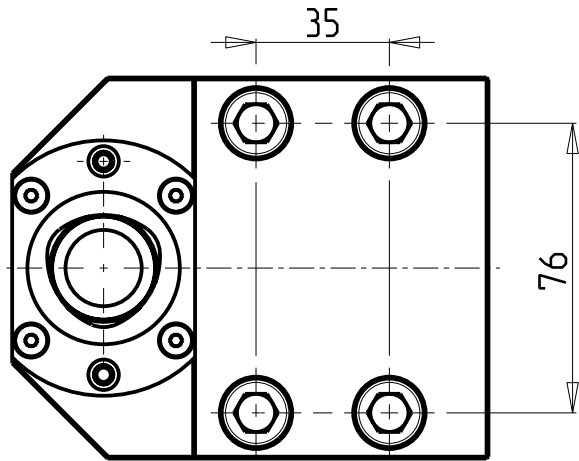
47842 S. GIOVANNI IN M. (RN)
e-mail: mtma@mtmarchetti.com
http://www.mtmarchetti.com

PRODUZIONE MODULI ROTANTI



PAGINA CMZ150-B-41

10/2018



VERSIONE DESTRA (RC)
RIGHT VERSION (RC)
RECHTE-VERSION (RC)



VERSIONE SINISTRA (LC)
LEFT VERSION (LC)
LINKE-VERSION (LC)



PER ORDINARE LA VERSIONE SX
AGGIUNGERE "LC" AL CODICE IN TABELLA.
ES: MNL0464010 DIVENTA MNL0464010LC

TO ORDER LEFT VERSION
ADD A "LC" IN THE CODE-CHARTS.
EXAMPLE: MNL0464010 BECOMES MNL0464010LC

UM DIE LINKE-VERSION ZU BESTELLEN, BEI DER
ARTIKELBEZEICHNUNG "LC" HINZUFUEGEN.
BEISPIEL: MNL0464010 WIRD DANN MNL0464010LC

Cod. MT	N°Utensili N°Tools N°Werkzeuge	Lubrificazione int. Coolant through Innenkuehlung	TAGLIA Size Masse
MSL0044010	1	X	C4

CMZ

MOD: TL25AM/AMS/BM/BMS - TL20M/MS/TM - TA15-20-25-30M/Y/MS/MY/YS - TC15-20-25-30-35M/Y/MS/MY/YS
TD15-20-25-30-35-45-55M/Y/MS/MY/YS

PORTAUTENSILE RADIALE SINGOLO ARRETRATO MT CAPTO
Radial single rear-set static tool MT CAPTO
Radial Single-Werkzeughalter zurueckversetzt MT CAPTO

Subject to change without notice.

M.T. srl

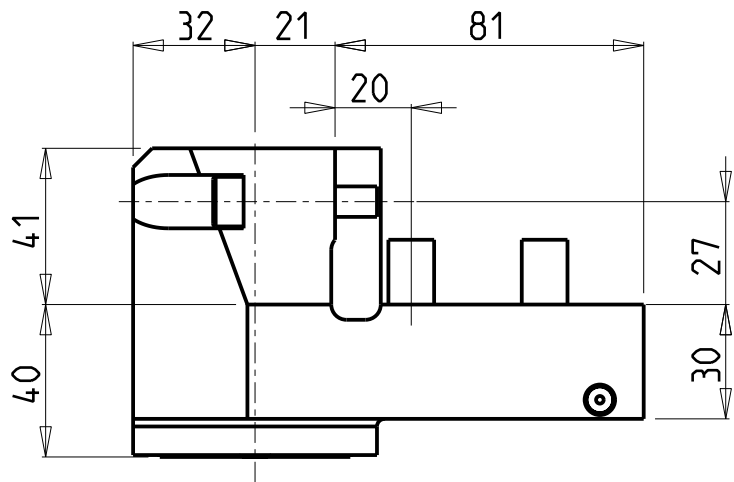
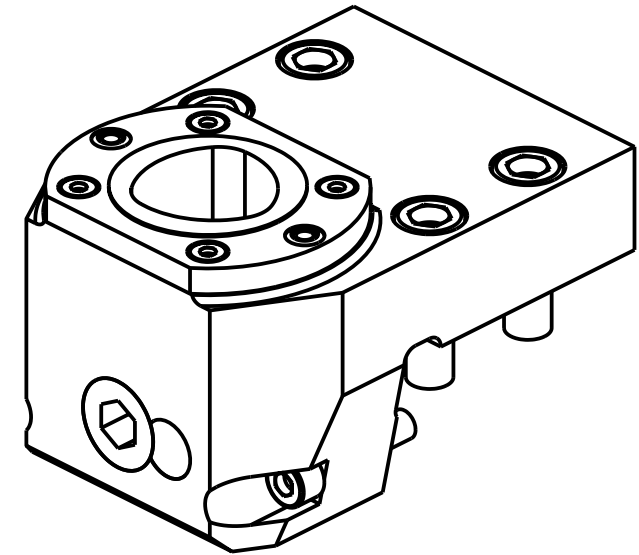
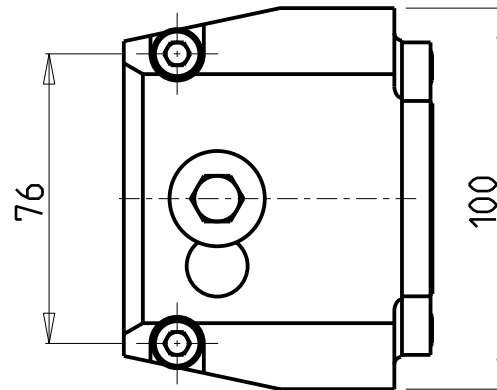
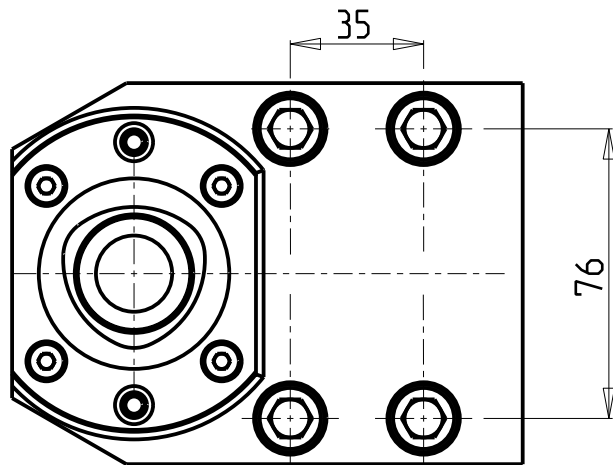
Via Casino Albini 480
Tel. 0541/956034-957884
Fax 0541/956341
47842 S. GIOVANNI IN M. (RN)
e-mail: mtma@mtmarchetti.com
http://www.mtmarchetti.com

PRODUZIONE MODULI ROTANTI



PAGINA CMZ430-B-40

10/2018



VERSIONE DESTRA (RC)
RIGHT VERSION (RC)
RECHTE-VERSION (RC)



VERSIONE SINISTRA (LC)
LEFT VERSION (LC)
LINKE-VERSION (LC)



PER ORDINARE LA VERSIONE SX
AGGIUNGERE "LC" AL CODICE IN TABELLA.
ES: MSL0045010 DIVENTA MSL0045010LC

TO ORDER LEFT VERSION
ADD A "LC" IN THE CODE-CHARTS.
EXAMPLE: MSL0045010 BECOMES MSL0045010LC

UM DIE LINKE-VERSION ZU BESTELLEN, BEI DER
ARTIKELBEZEICHNUNG "LC" HINZUFUEGEN.
BEISPIEL: MSL0045010 WIRD DANN MSL0045010LC

Cod. MT	N°Utensili N°Tools N°Werkzeuge	Lubrificazione int. Coolant through Innenkuehlung	TAGLIA Size Masse	
MSL0045010	1	X	C5	NEW

CMZ

MOD: TL25AM/AMS/BM/BMS - TL20M/MS/TM - TA15-20-25-30M/Y/MS/MY/YS - TC15-20-25-30-35M/Y/MS/MY/YS
TD15-20-25-30-35-45-55M/Y/MS/MY/YS

PORTAUTENSILE RADIALE SINGOLO ARRETRATO MT CAPTO
Radial single rear-set static tool MT CAPTO
Radial Single-Werkzeughalter zurueckversetzt MT CAPTO

Subject to change without notice.

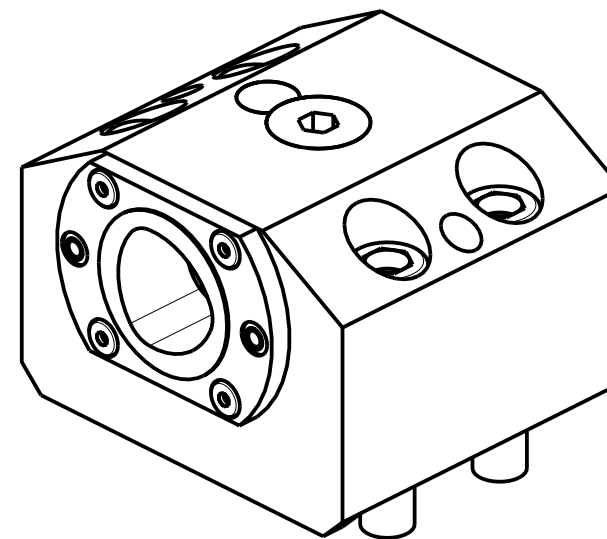
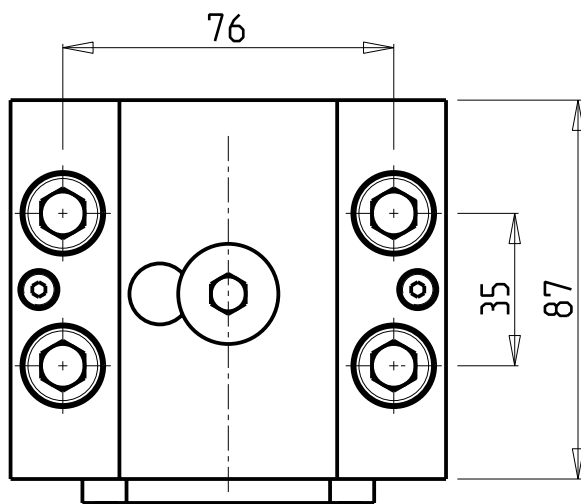
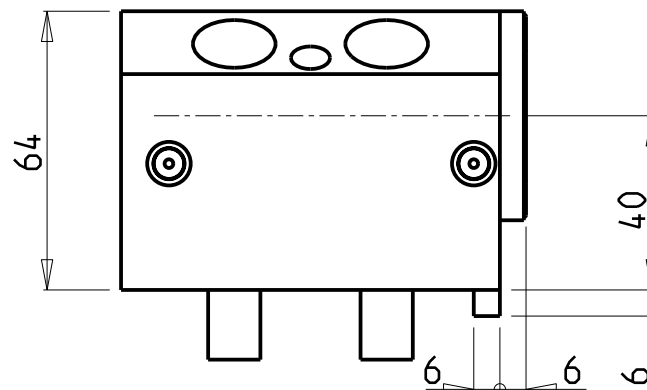
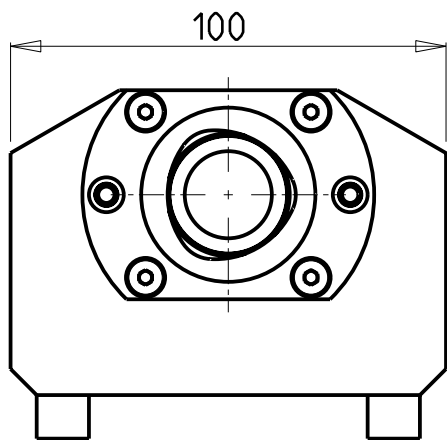
M.T. srl

Via Casino Albini 480
Tel. 0541/956034-957884
Fax 0541/956341
47842 S. GIOVANNI IN M. (RN)
e-mail: mtma@mtmarchetti.com
http://www.mtmarchetti.com

PRODUZIONE MODULI ROTANTI



PAGINA CMZ430-B-50



VERSIONE DESTRA (RC)
RIGHT VERSION (RC)
RECHTE-VERSION (RC)



VERSIONE SINISTRA (LC)
LEFT VERSION (LC)
LINKE-VERSION (LC)



PER ORDINARE LA VERSIONE SX
AGGIUNGERE "LC" AL CODICE IN TABELLA.
ES: MNL0464010 DIVENTA MNL0464010LC

TO ORDER LEFT VERSION
ADD A "LC" IN THE CODE-CHARTS.
EXAMPLE: MNL0464010 BECOMES MNL0464010LC

UM DIE LINKE-VERSION ZU BESTELLEN, BEI DER
ARTIKELBEZEICHNUNG "LC" HINZUFUEGEN.
BEISPIEL: MNL0464010 WIRD DANN MNL0464010LC

Cod. MT	N°Utensili N°Tools N°Werkzeuge	Lubrificazione int. Coolant through Innenkuehlung	TAGLIA Size Masse
MSL0034010	1	X	C4

CMZ

MOD: TL25AM/AMS/BM/BMS - TL20M/MS/TM - TA15-20-25-30M/Y/MS/MY/YS - TC15-20-25-30-35M/Y/MS/MY/YS
TD15-20-25-30-35-45-55M/Y/MS/MY/YS

PORTAUTENSILE ASSIALE SINGOLO MT CAPTO

Axial single static tool MT CAPTO

Axial Single-Werkzeughalter MT CAPTO

Subject to change without notice.

M.T. srl

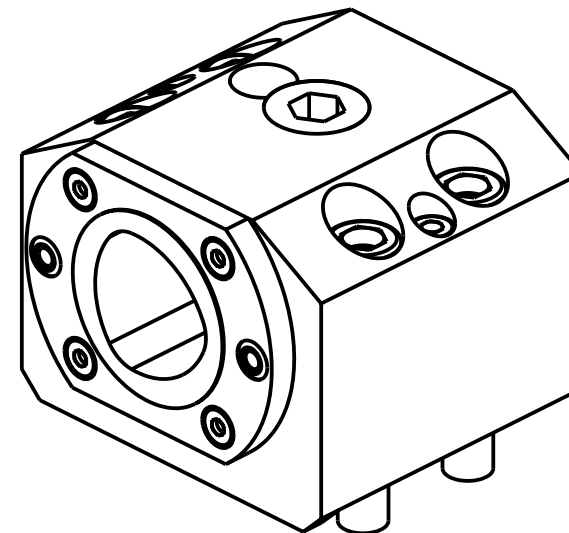
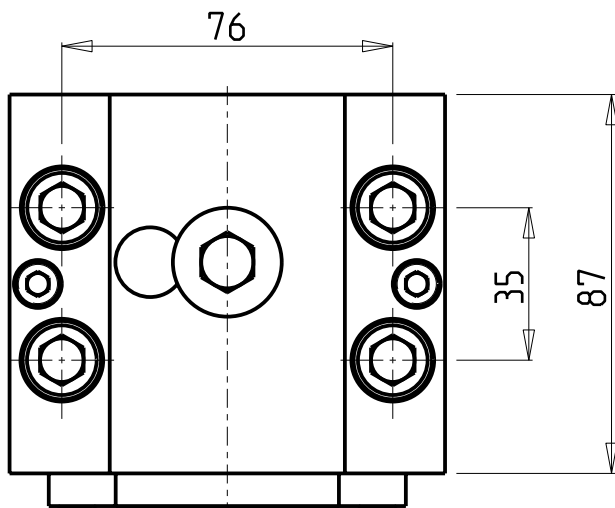
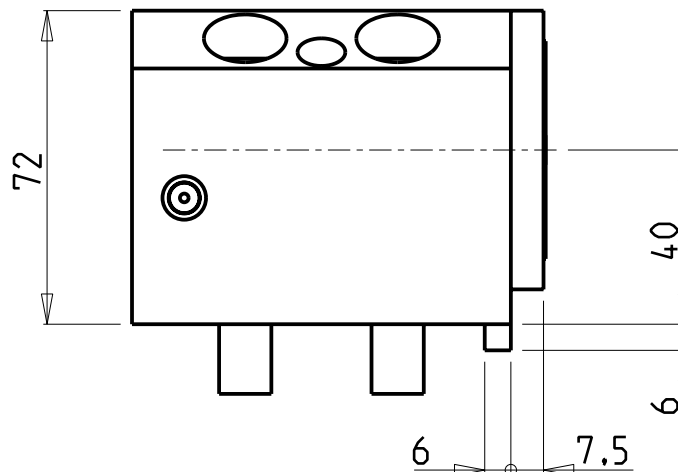
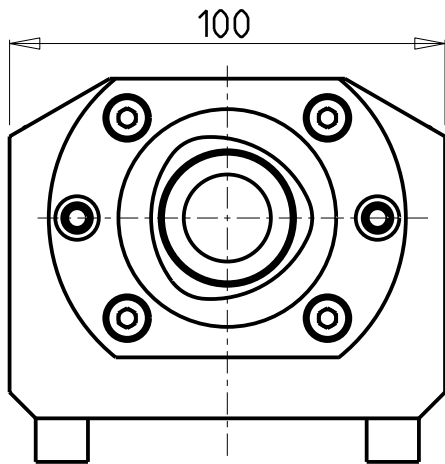
Via Casino Albini 480
Tel. 0541/956034-957884
Fax 0541/956341
47842 S. GIOVANNI IN M. (RN)
e-mail: mtma@mtmarchetti.com
http://www.mtmarchetti.com

PRODUZIONE MODULI ROTANTI



PAGINA CMZ550-B-40

10/2018



VERSIONE DESTRA (RC)
RIGHT VERSION (RC)
RECHTE-VERSION (RC)



VERSIONE SINISTRA (LC)
LEFT VERSION (LC)
LINKE-VERSION (LC)



PER ORDINARE LA VERSIONE SX
AGGIUNGERE "LC" AL CODICE IN TABELLA.
ES: MSL0035010 DIVENTA MSL0035010LC

TO ORDER LEFT VERSION
ADD A "LC" IN THE CODE-CHARTS.
EXAMPLE: MSL0035010 BECOMES MSL0035010LC

UM DIE LINKE-VERSION ZU BESTELLEN, BEI DER
ARTIKELBEZEICHNUNG "LC" HINZUFUEGEN.
BEISPIEL: MSL0035010 WIRD DANN MSL0035010LC

Cod. MT	N°Utensili N°Tools N°Werkzeuge	Lubrificazione int. Coolant through Innenkuehlung	TAGLIA Size Masse	
MSL0035010	1	X	C5	NEW

CMZ
MOD: TL25AM/AMS/BM/BMS - TL20M/MS/TM - TA15-20-25-30M/Y/MS/MY/YS - TC15-20-25-30-35M/Y/MS/MY/YS
TD15-20-25-30-35-45-55M/Y/MS/MY/YS

PORTAUTENSILE ASSIALE SINGOLO MT CAPTO
Axial single static tool MT CAPTO
Axial Single-Werkzeughalter MT CAPTO

Subject to change without notice.

M.T. srl
Via Casino Albini 480
Tel. 0541/956034-957884
Fax 0541/956341
47842 S. GIOVANNI IN M. (RN)
e-mail: mtma@mtmarchetti.com
http://www.mtmarchetti.com

PRODUZIONE MODULI ROTANTI



PAGINA CMZ550-B-50